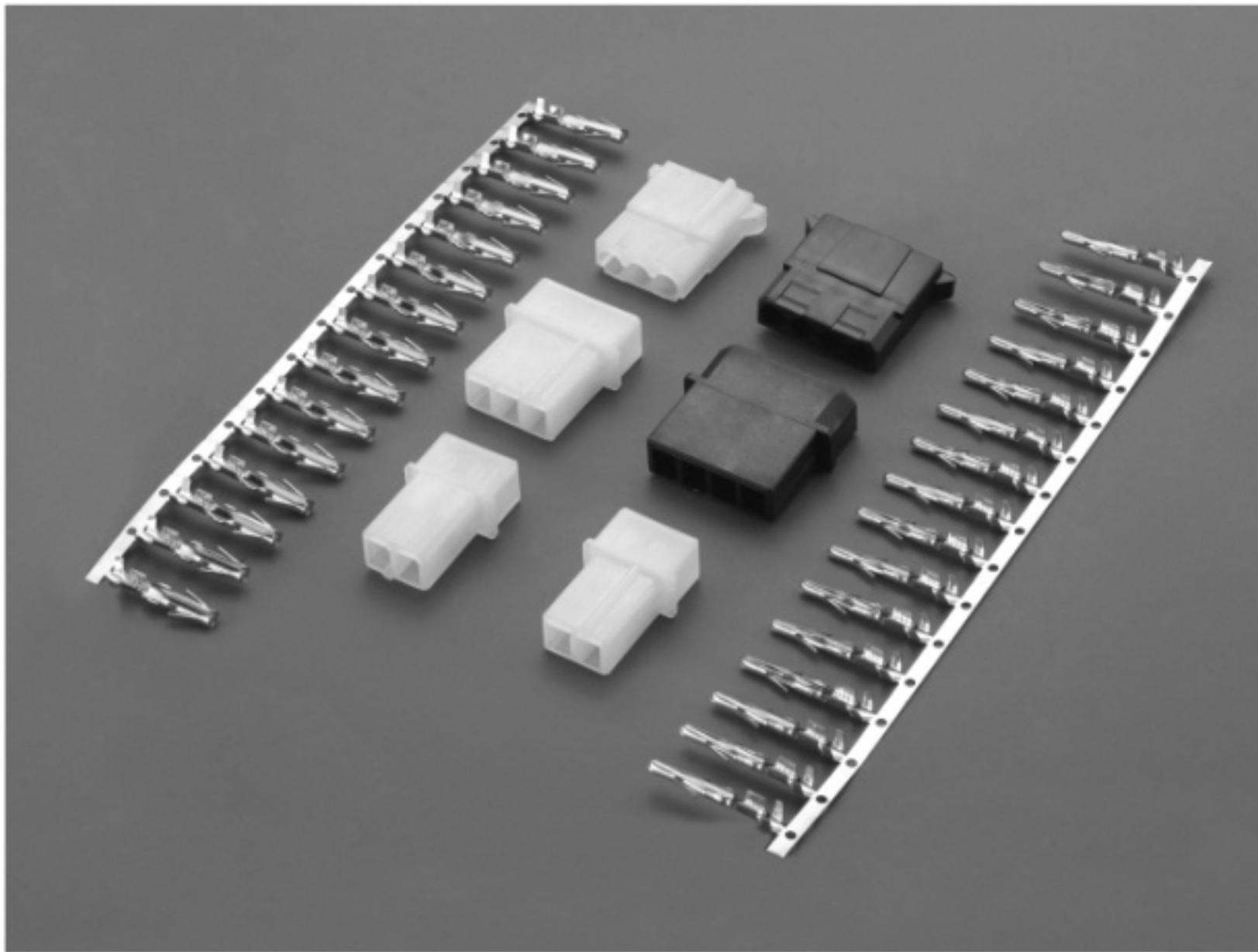


8620/8621 SERIES

5.08mm PITCH WIRE TO WIRE CONNECTOR



Specifications

Current rating: 5A AC,DC

Voltage rating: 250V AC,DC

Temperature range: -25°C to +85°C
(including temperature rise)

Contact resistance: Initial value/ 10m Ω Max.

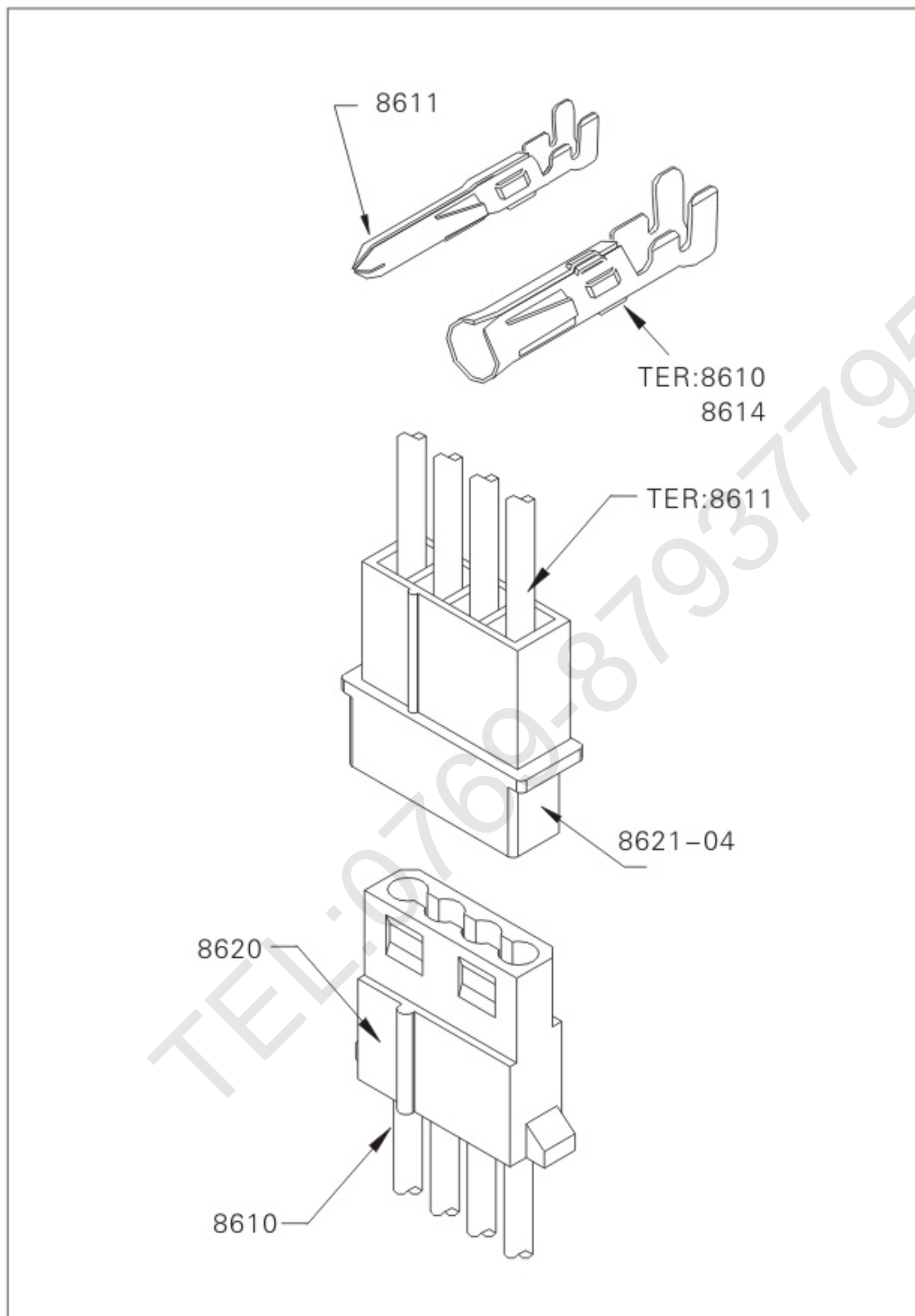
After environmental testing/20m Ω Max.

Insulation resistance: 500M Ω Min.

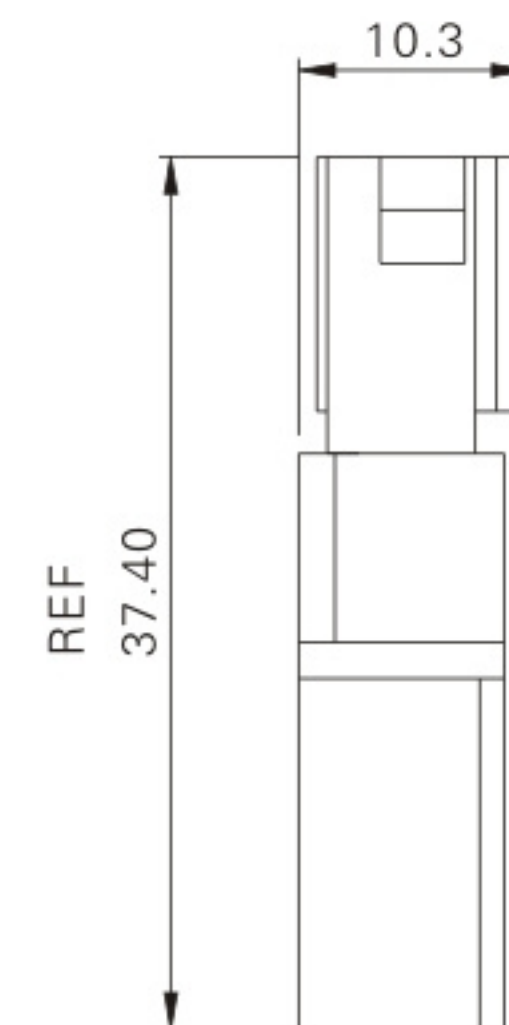
Withstanding voltage: 1000V AC/minute

Applicable wire: 8610: AWG#18-#22

8614: AWG#16-#18



Assembly layout

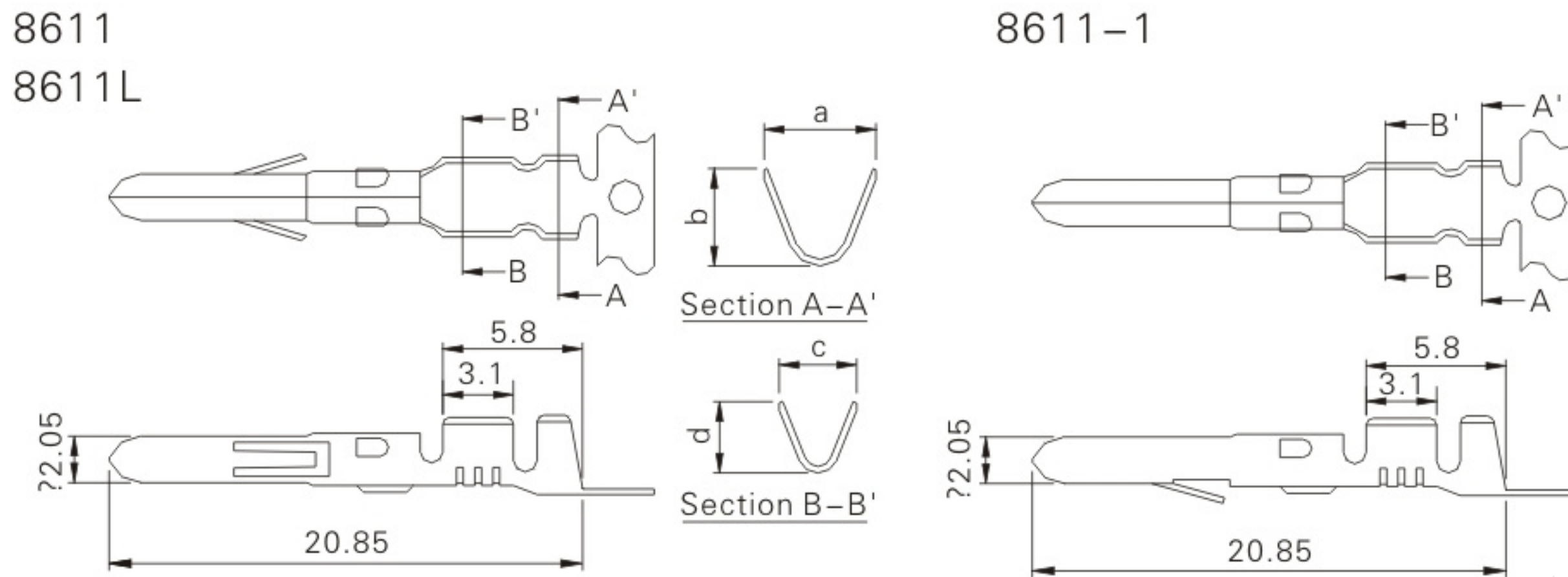


WIRE TO WIRE TYPE

8611 (5.08mm pitch crimp terminal)

Reference Informations:

- *Thickness: 0.25mm
- *Mates With: 8621H-04 series Housing
- *Accept With: 8610 Terminal & 8620H-04 Housing



Ordering Information & Dimensions

Circuits	Part No.	DIM.(mm)			
		A	B	C	D
02	8611-1 8611	4.1	3.3	3.4	2.8
03	8611L	4.85	4.1	3.0	3.5

Ordering Information & Specifications

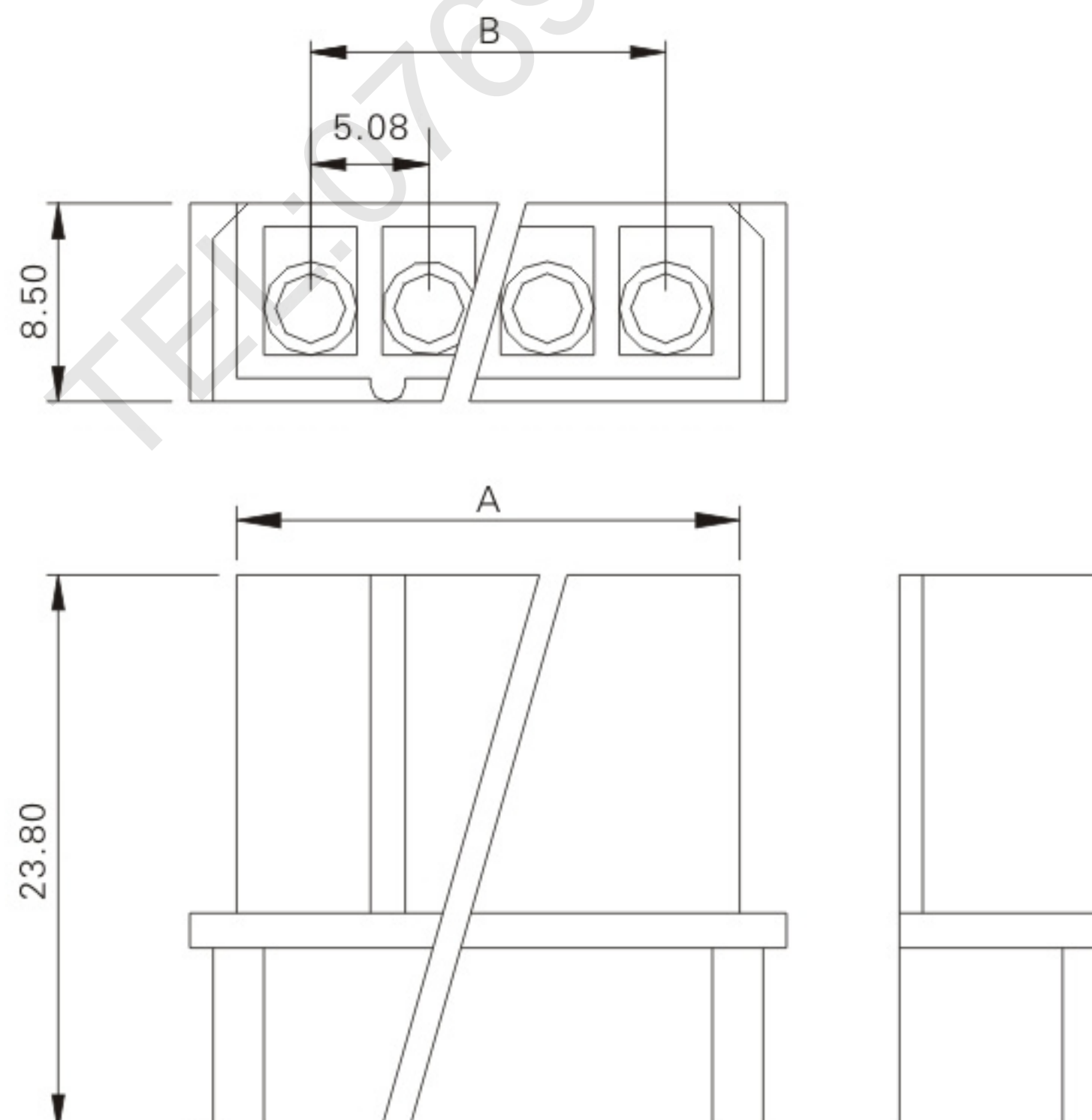
Unit: mm

Part No.	Wire Range	Insulation O.D.	Material	Finish	Qty/reel
8611T-1/8611P-1	AWG#18-#22	Φ2.8~Φ1.5	Brass/Phosphor bronze	Tin-plated	7,000
8611T/8611P	AWG#18-#22	Φ2.8~Φ1.5	Brass/Phosphor bronze	Tin-plated	7,000
8611L/8611P	AWG#14-#18	Φ4.2~Φ2.8	Brass/Phosphor bronze	Tin-plated	5,000

8621 (5.08mm pitch crimp housing)

Reference Informations:

- *Mat'l: Nylon 94V-2
- *Mates With: 8611 8611L series Terminal
- *Accepts With: 8620 series Housing



Ordering Information & Dimensions

Circuits	Part No.	DIM.(mm)	
		A	B
02	8621-02	13.5	5.08
03	8621-03	18.5	10.16
04	8621-04	23.5	15.24