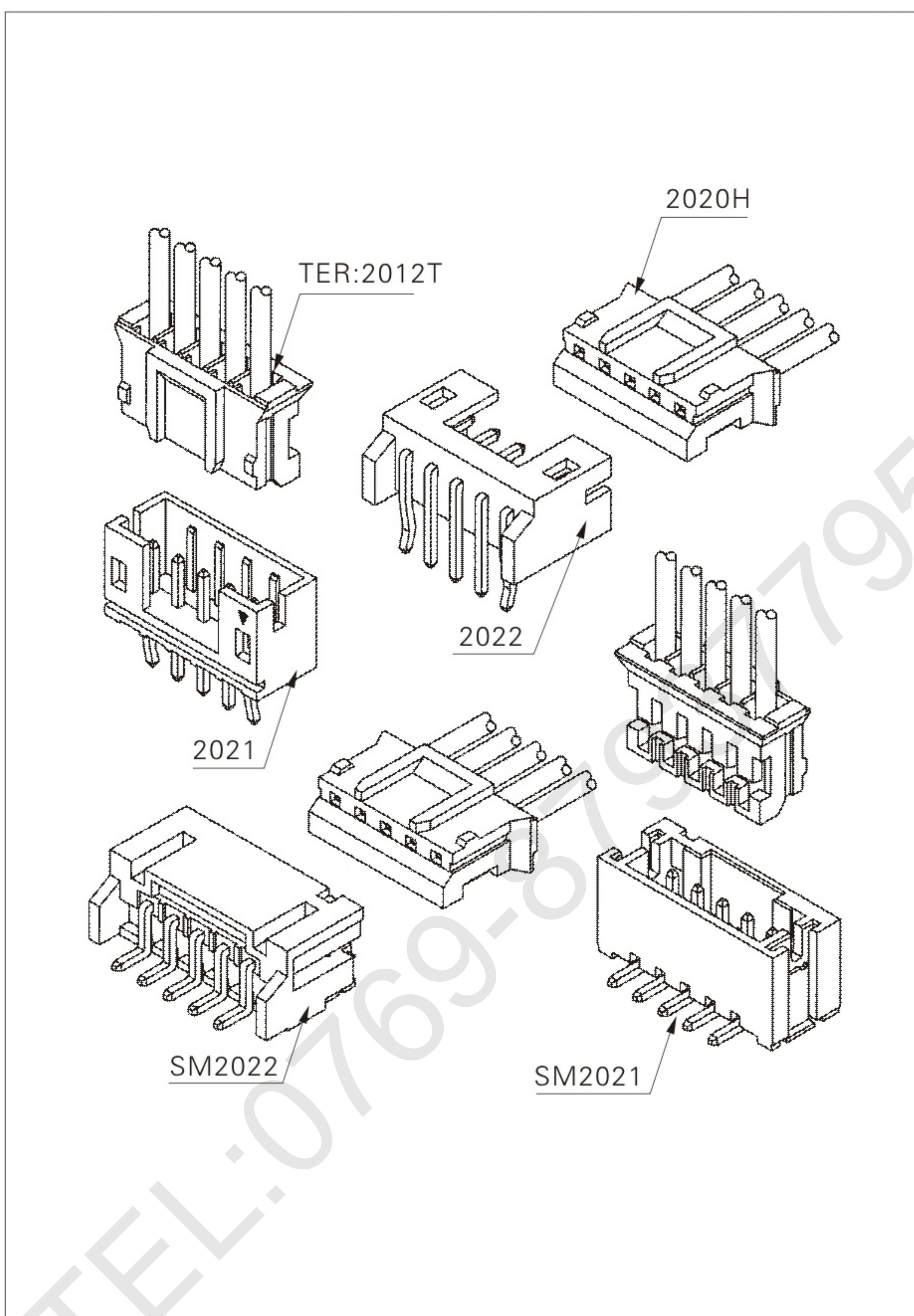
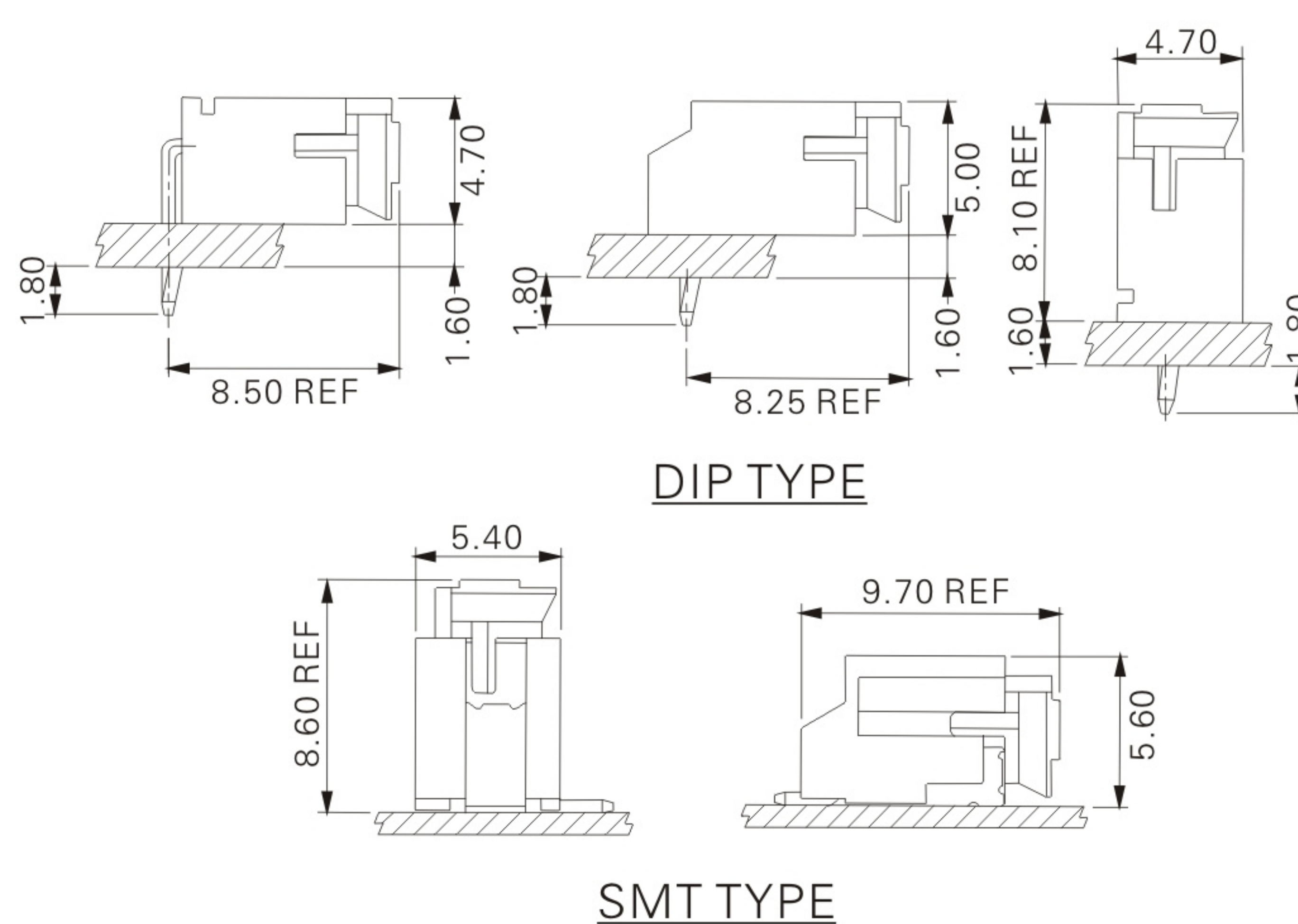


### Specifications

- Current rating: 2A AC,DC
- Voltage rating: 250V AC,DC
- Temperature range: -25°C~+85°C
- Contact resistance: 10mΩ Max.
- Insulation resistance: 1000mΩ Min.
- Withstanding voltage: 1000V AC/minute
- Applicable wire: AWG#24-#30



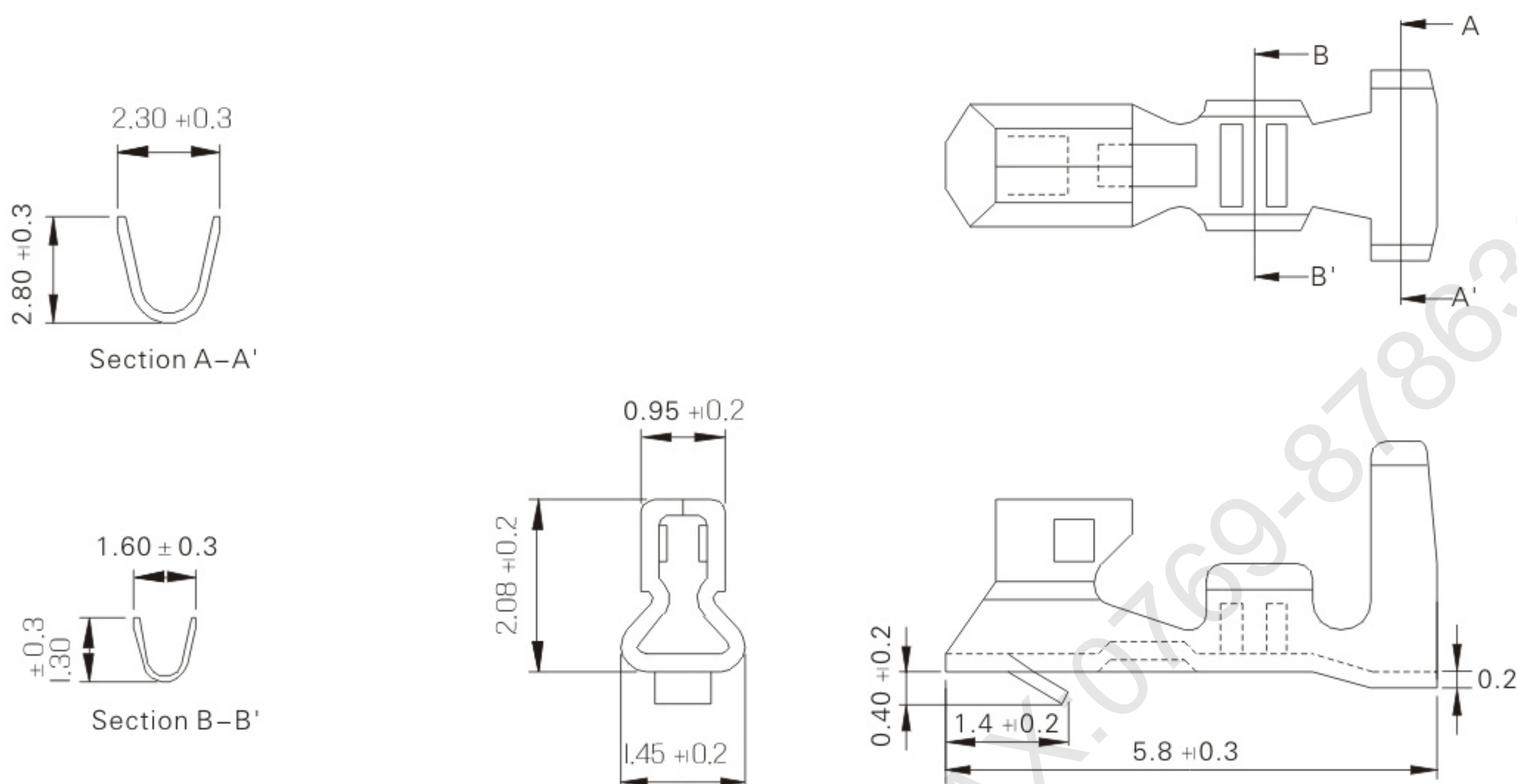
### Assembly layout



# 2012-T (2.00mm pitch crimp terminal)

## Reference Informations:

\*Used in 2020H series Housing



## Ordering Information & Specifications

Unit: mm

Part No.	Wire Range	Insulation O.D.	Material	Finish	Qty/reel
2012P	AWG#24-#30	1.5mm(max)	Phosphor Bronze	Tin-plated	10,000pcs
2012P-00				Gold-flash	

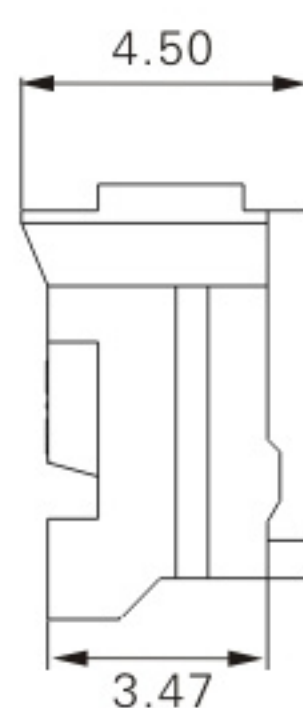
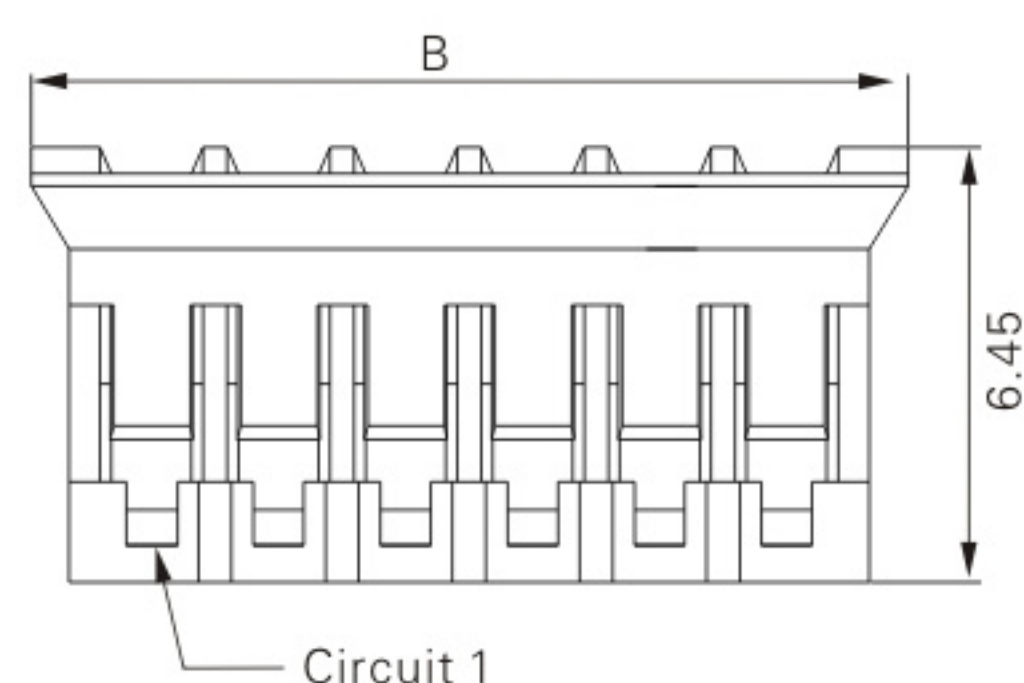
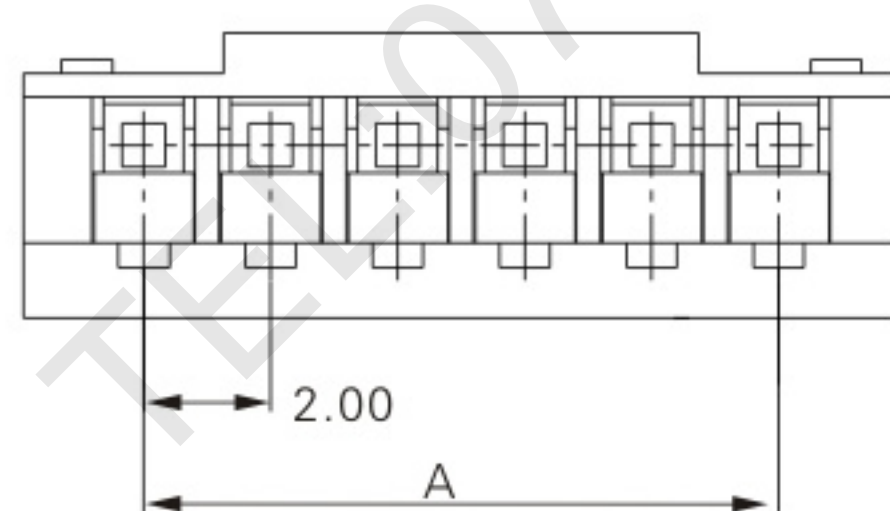
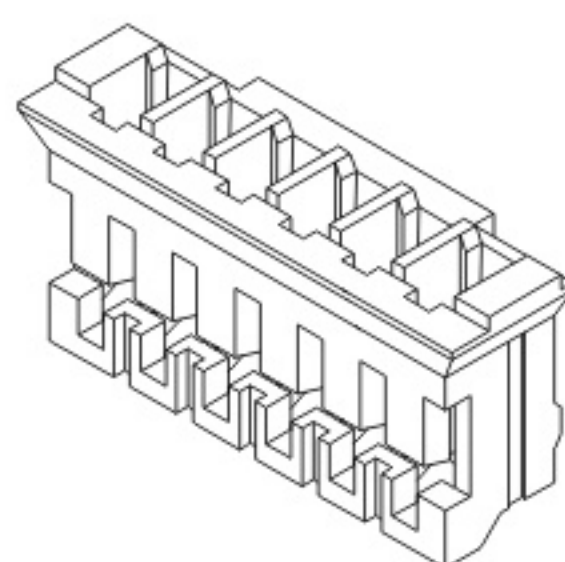
# 2020H-NP (2.00mm pitch crimp housing)

## Reference Informations:

\*Material:Nylon 66,UL94V-0

\*Suitable 2012-T series Terminal

\*Mates with 2021 & 2022 series Wafer



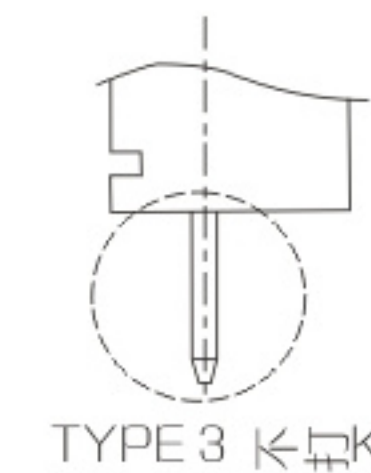
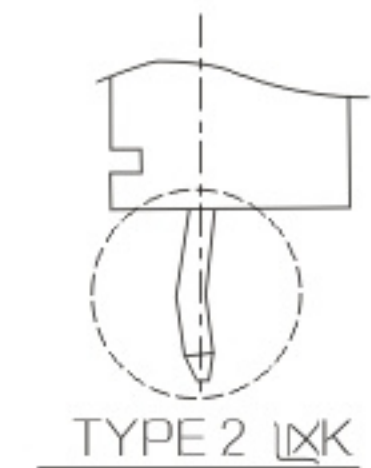
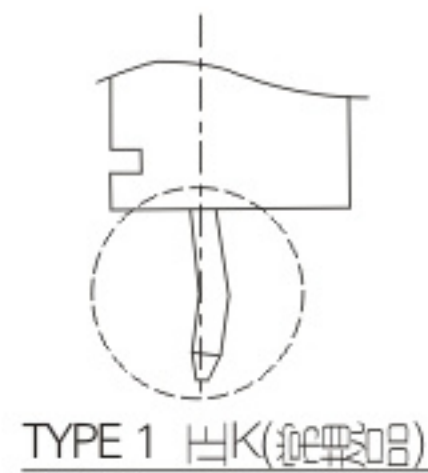
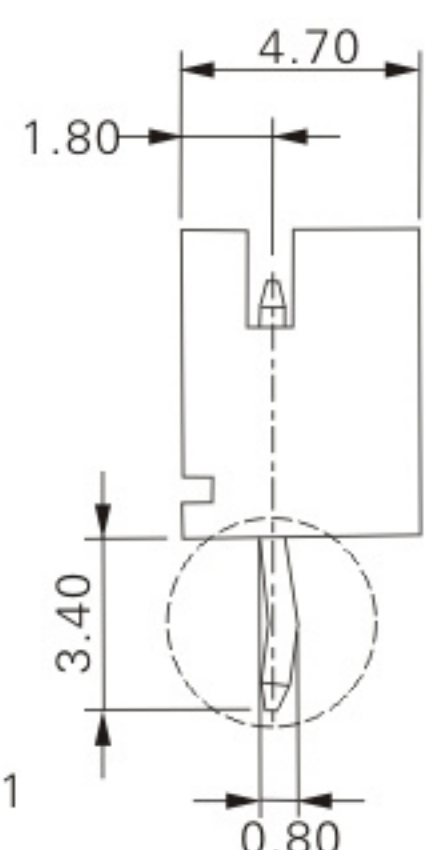
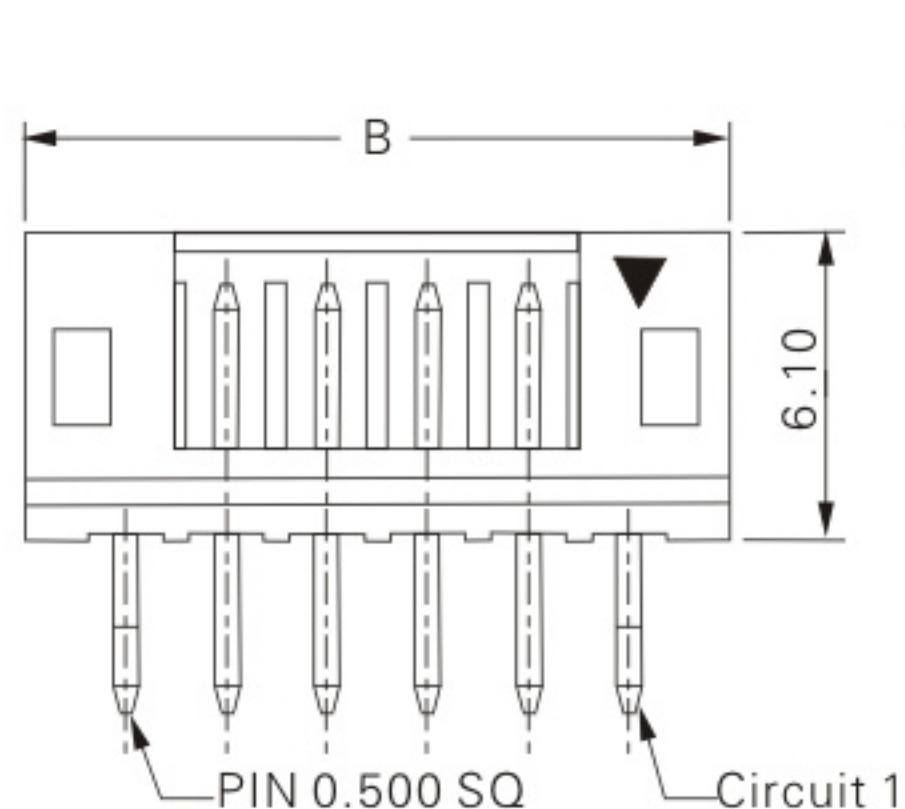
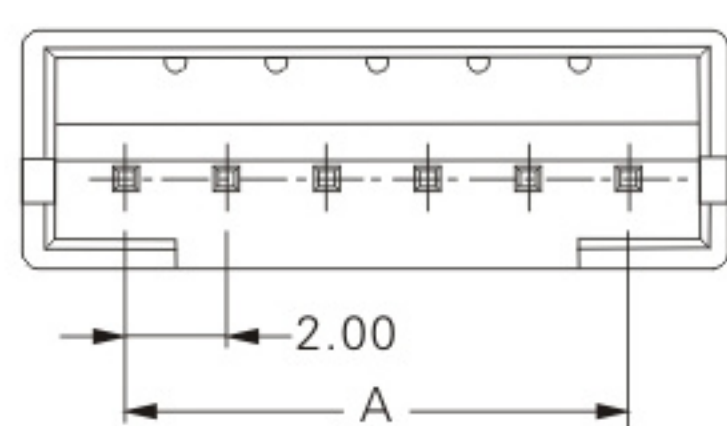
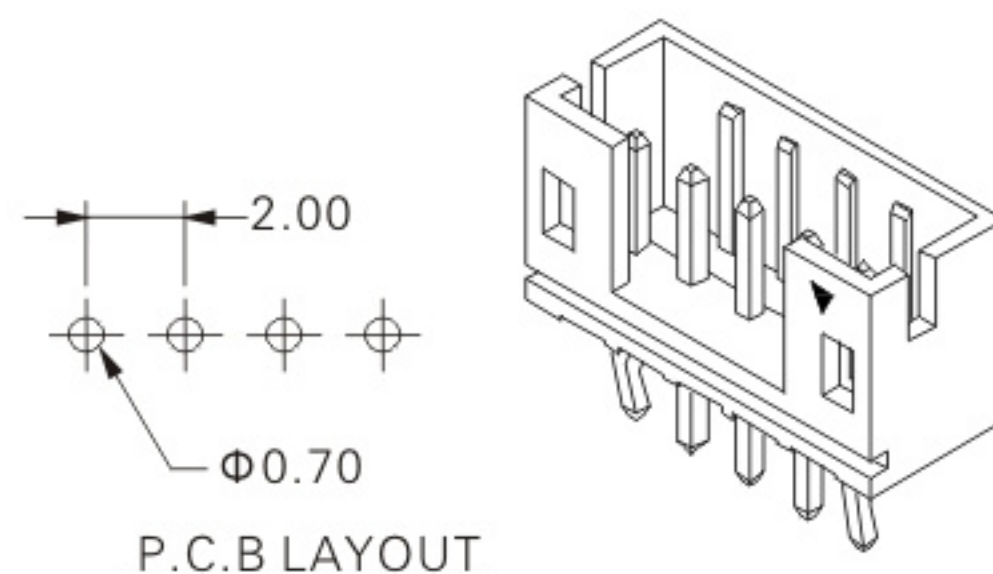
## Ordering Information & Dimensions

Circuits	Part No.	DIM.(mm)	
		A	B
02	2020H-02P	2.00	5.80
03	2020H-03P	4.00	7.80
04	2020H-04P	6.00	9.80
05	2020H-05P	8.00	11.80
06	2020H-06P	10.00	13.80
07	2020H-07P	12.00	15.80
08	2020H-08P	14.00	17.80
09	2020H-09P	16.00	19.80
10	2020H-10P	18.00	21.80
11	2020H-11P	20.00	23.80
12	2020H-12P	22.00	25.80
13	2020H-13P	24.00	27.80
14	2020H-14P	26.00	29.80
15	2020H-15P	28.00	31.80
16	2020H-16P	30.00	33.80
17	2020H-17P	32.00	35.80
18	2020H-18P	34.00	37.80
19	2020H-19P	36.00	39.80
20	2020H-20P	38.00	41.80

# 2021-NP (2.00mm pitch 180° wafer)

## Reference Informations:

- \*Material: Pin: Brass/Tin-plated  
Wafer: Nylon 66, UL94V-0
- \*Mates with 2020H series Housing



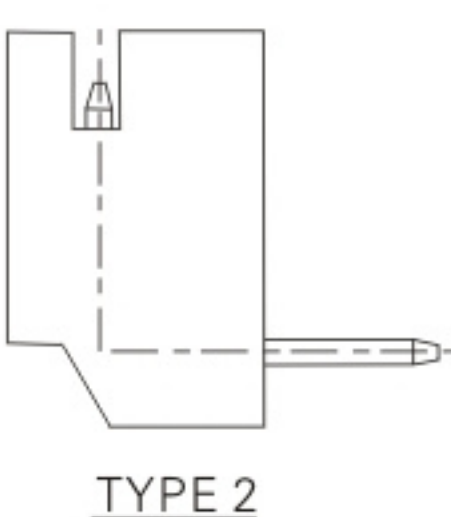
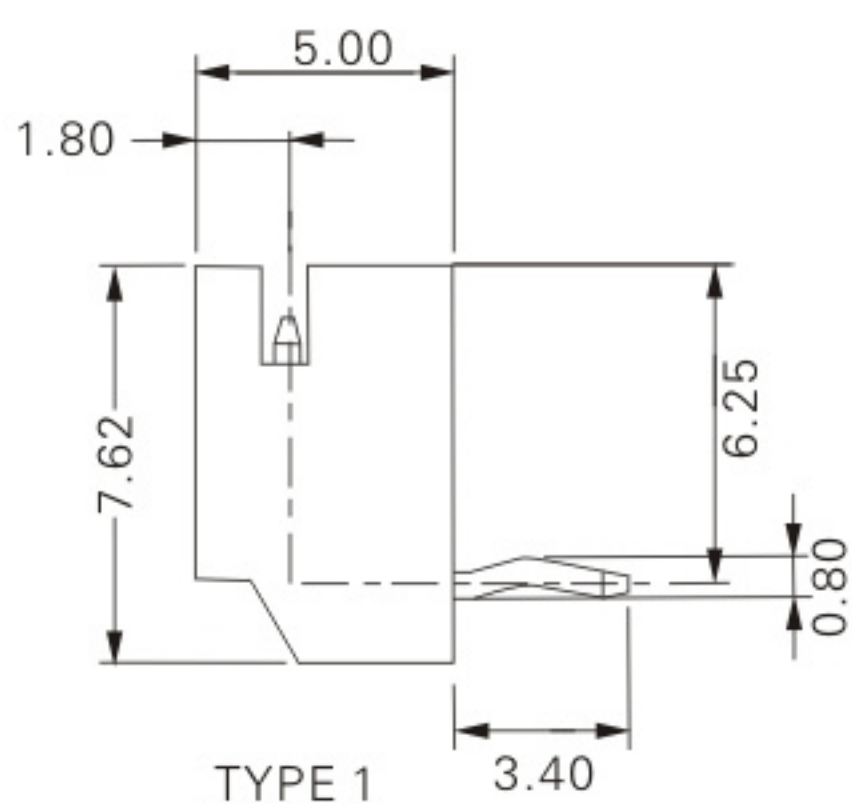
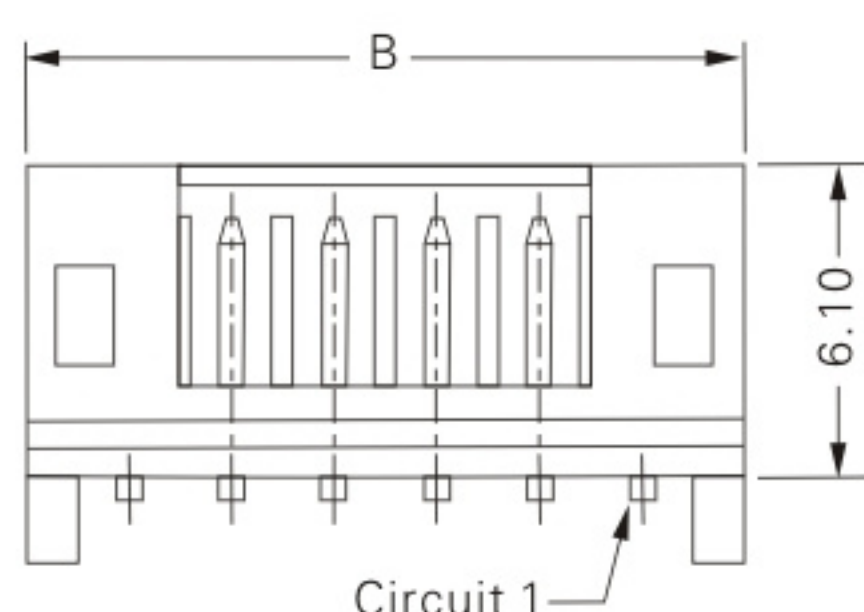
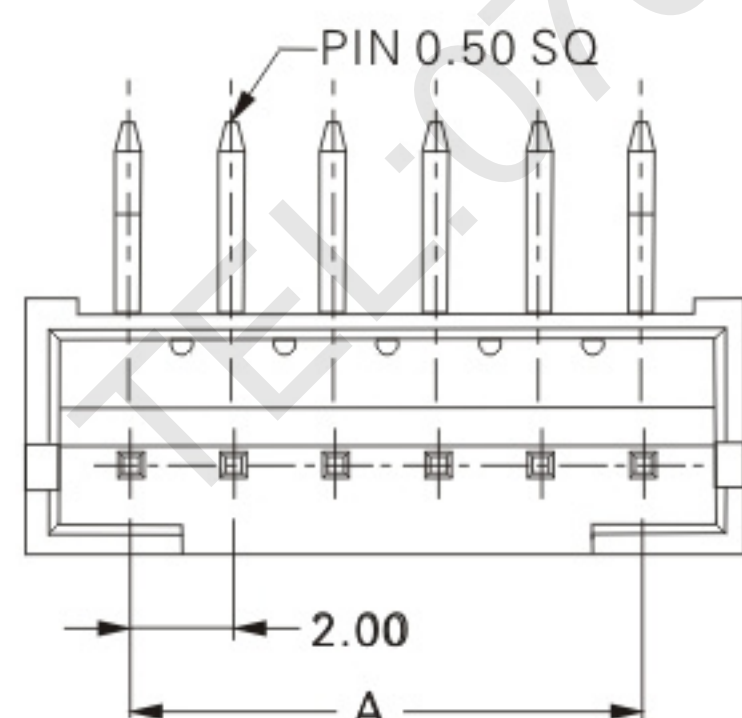
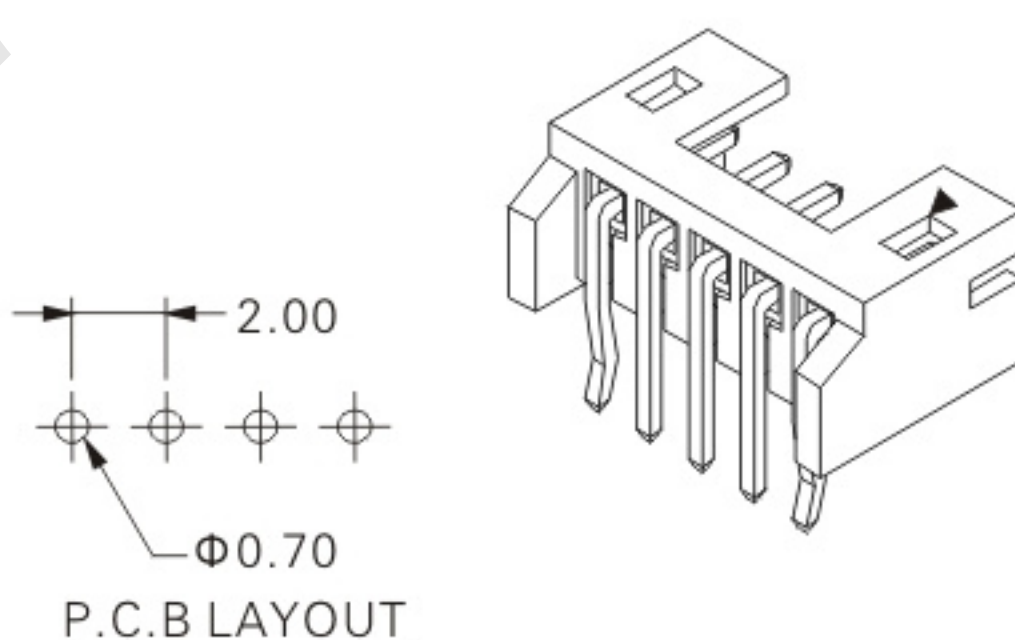
## Ordering Information & Dimensions

Circuits	Part No.	DIM.(mm)	
		A	B
02	2021-02P	2.00	6.00
03	2021-03P	4.00	8.00
04	2021-04P	6.00	10.00
05	2021-05P	8.00	12.00
06	2021-06P	10.00	14.00
07	2021-07P	12.00	16.00
08	2021-08P	14.00	18.00
09	2021-09P	16.00	20.00
10	2021-10P	18.00	22.00
11	2021-11P	20.00	24.00
12	2021-12P	22.00	26.00
13	2021-13P	24.00	28.00
14	2021-14P	26.00	30.00
15	2021-15P	28.00	32.00
16	2021-16P	30.00	34.00
17	2021-17P	32.00	36.00
18	2021-18P	34.00	38.00
19	2021-19P	36.00	40.00
20	2021-20P	38.00	42.00

# 2022-NP (2.00mm pitch 90° wafer)

## Reference Informations:

- \*Material: Pin: Brass/Tin-plated  
Wafer: Nylon 66, UL94V-0
- \*Mates with 2020H series Housing



## Ordering Information & Dimensions

Circuits	Part No.	DIM.(mm)	
		A	B
02	2022-02P	2.00	6.00
03	2022-03P	4.00	8.00
04	2022-04P	6.00	10.00
05	2022-05P	8.00	12.00
06	2022-06P	10.00	14.00
07	2022-07P	12.00	16.00
08	2022-08P	14.00	18.00
09	2022-09P	16.00	20.00
10	2022-10P	18.00	22.00
11	2022-11P	20.00	24.00
12	2022-12P	22.00	26.00
13	2022-13P	24.00	28.00
14	2022-14P	26.00	30.00
15	2022-15P	28.00	32.00
16	2022-16P	30.00	34.00
17	2022-17P	32.00	36.00
18	2022-18P	34.00	38.00
19	2022-19P	36.00	40.00
20	2022-20P	38.00	42.00

# SM2021-NP-SMT (2.00mm pitch 180° wafer-SMT TYPE)

## Reference Informations:

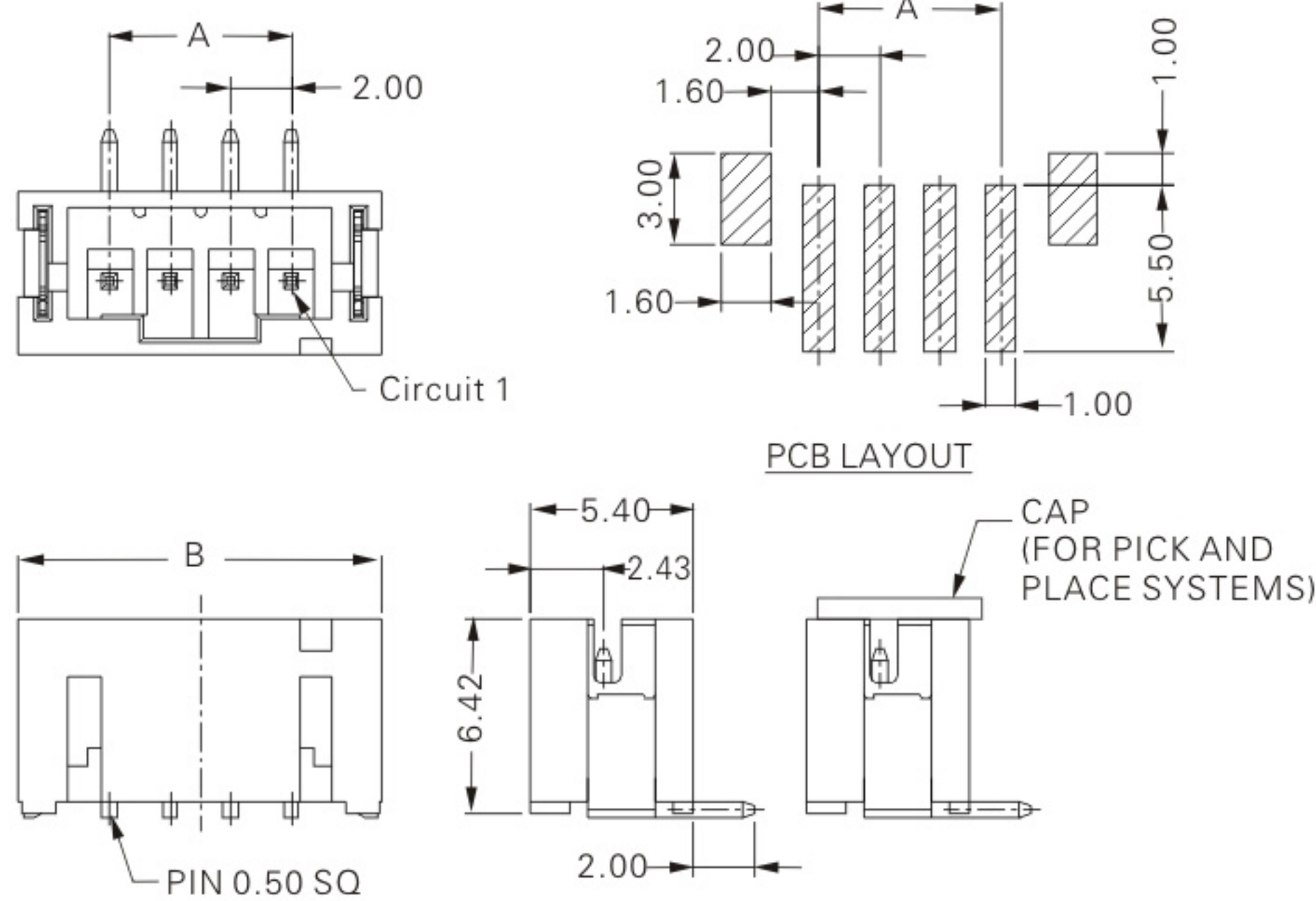
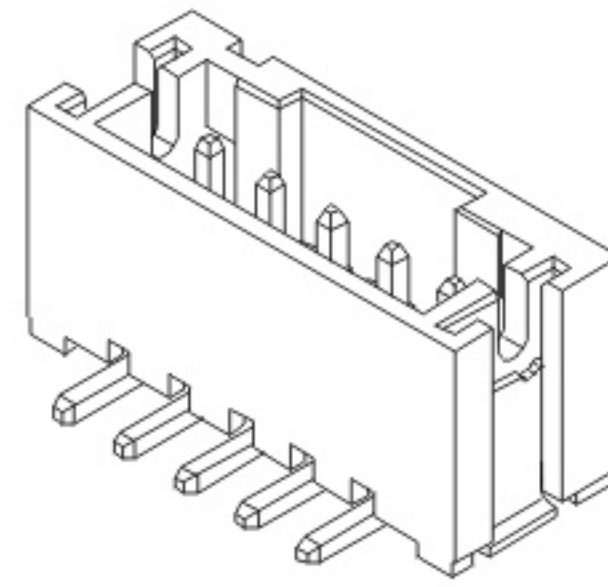
\*Material:Pin:Brass/Gold flash

Solder Tabs:Brass/Gold flash

Wafer:Nylon 6T,UL94V-0

Cap:Nylon 6T,UL94V-0

\*Mates with 2020 series Housing



## Ordering Information & Dimensions

Circuits	Part No.	DIM.(mm)	
		A	B
02	SM2021-02P-SMT	2.00	8.00
03	SM2021-03P-SMT	4.00	10.00
04	SM2021-04P-SMT	6.00	12.00
05	SM2021-05P-SMT	8.00	14.00
06	SM2021-06P-SMT	10.00	16.00
07	SM2021-07P-SMT	12.00	18.00
08	SM2021-08P-SMT	14.00	20.00
09	SM2021-09P-SMT	16.00	22.00
10	SM2021-10P-SMT	18.00	24.00
11	SM2021-11P-SMT	20.00	26.00
12	SM2021-12P-SMT	22.00	28.00
13	SM2021-13P-SMT	24.00	30.00
14	SM2021-14P-SMT	26.00	32.00
15	SM2021-15P-SMT	28.00	34.00
16	SM2021-16P-SMT	30.00	36.00

# SM2022-NP-SMT (2.00mm pitch 90° wafer-SMT TYPE)

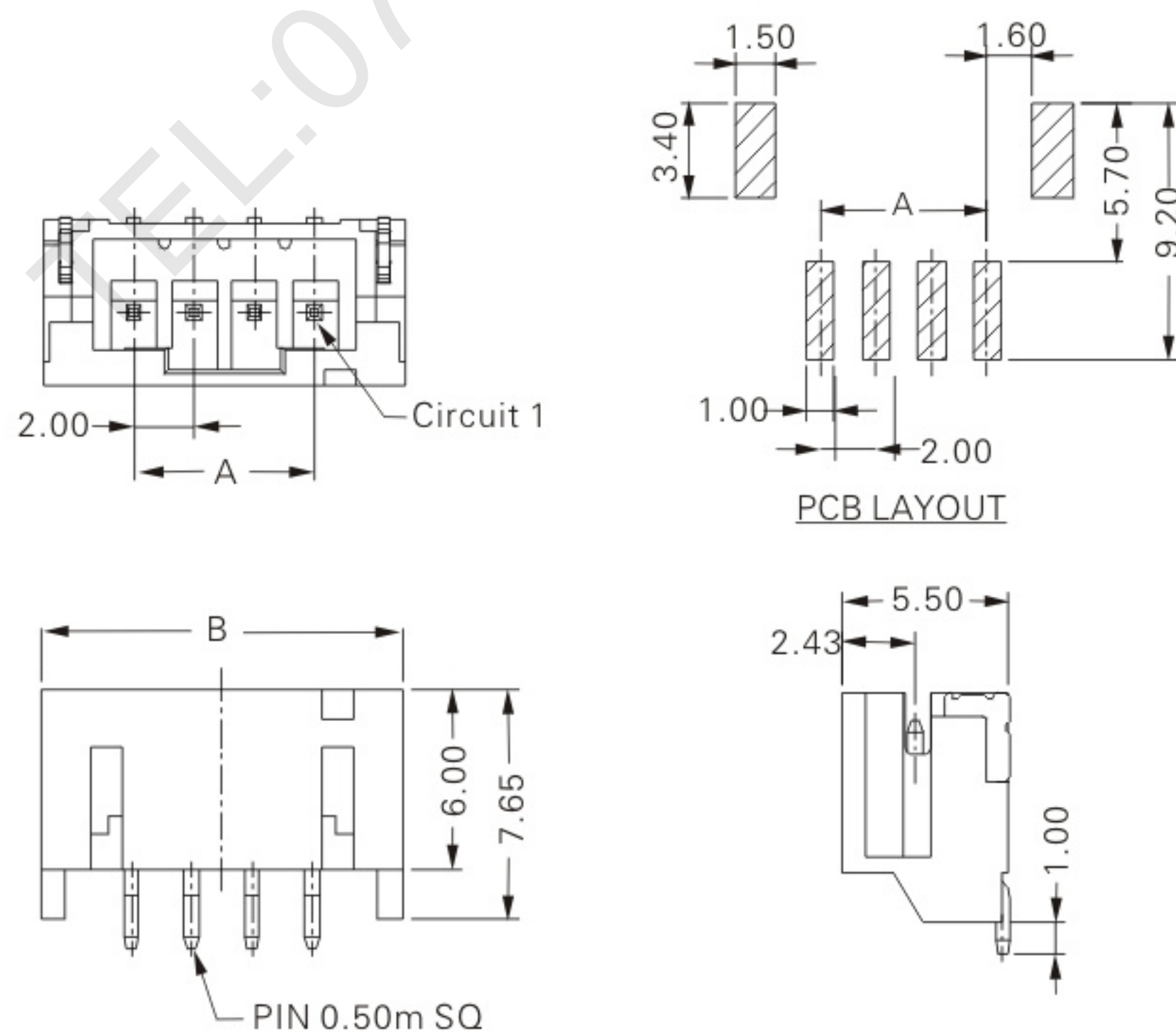
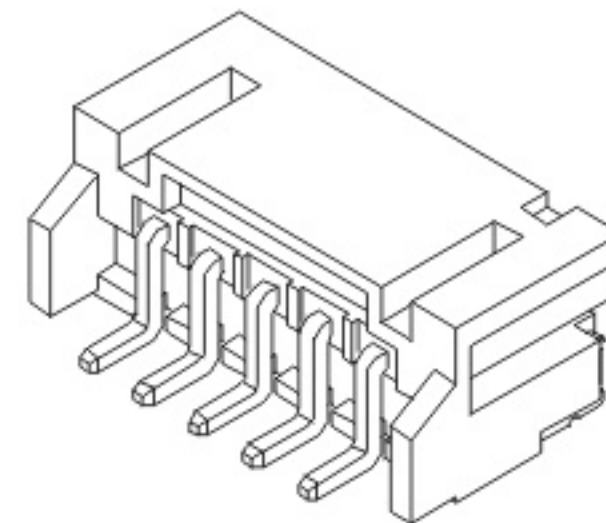
## Reference Informations:

\*Material:Pin:Brass/ Gold flash

Solder Tabs:Brass/ Gold flash

Wafer:Nylon 6T,UL94V-0

\*Mates with 2020 series Housing



## Ordering Information & Dimensions

Circuits	Part No.	DIM.(mm)	
		A	B
02	SM2022-02P-SMT	2.00	8.00
03	SM2022-03P-SMT	4.00	10.00
04	SM2022-04P-SMT	6.00	12.00
05	SM2022-05P-SMT	8.00	14.00
06	SM2022-06P-SMT	10.00	16.00
07	SM2022-07P-SMT	12.00	18.00
08	SM2022-08P-SMT	14.00	20.00
09	SM2022-09P-SMT	16.00	22.00
10	SM2022-10P-SMT	18.00	24.00
11	SM2022-11P-SMT	20.00	26.00
12	SM2022-12P-SMT	22.00	28.00
13	SM2022-13P-SMT	24.00	30.00
14	SM2022-14P-SMT	26.00	32.00
15	SM2022-15P-SMT	28.00	34.00
16	SM2022-16P-SMT	30.00	36.00