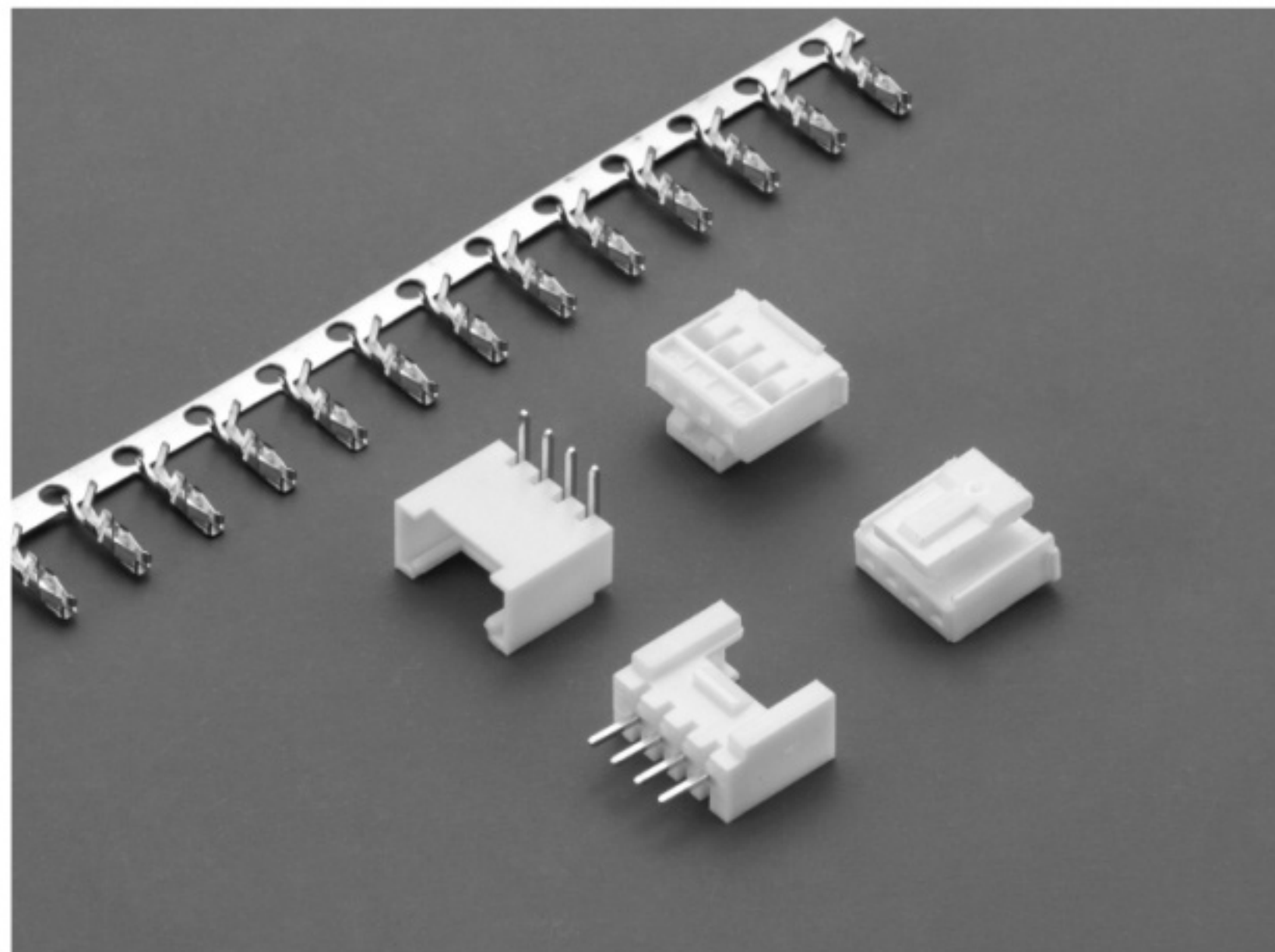


# 2210H SERIES

2.00mm PITCH WIRE TO BOARD CONNECTOR



## Specifications

Current rating: 3A AC,DC

Voltage rating: 250V AC,DC

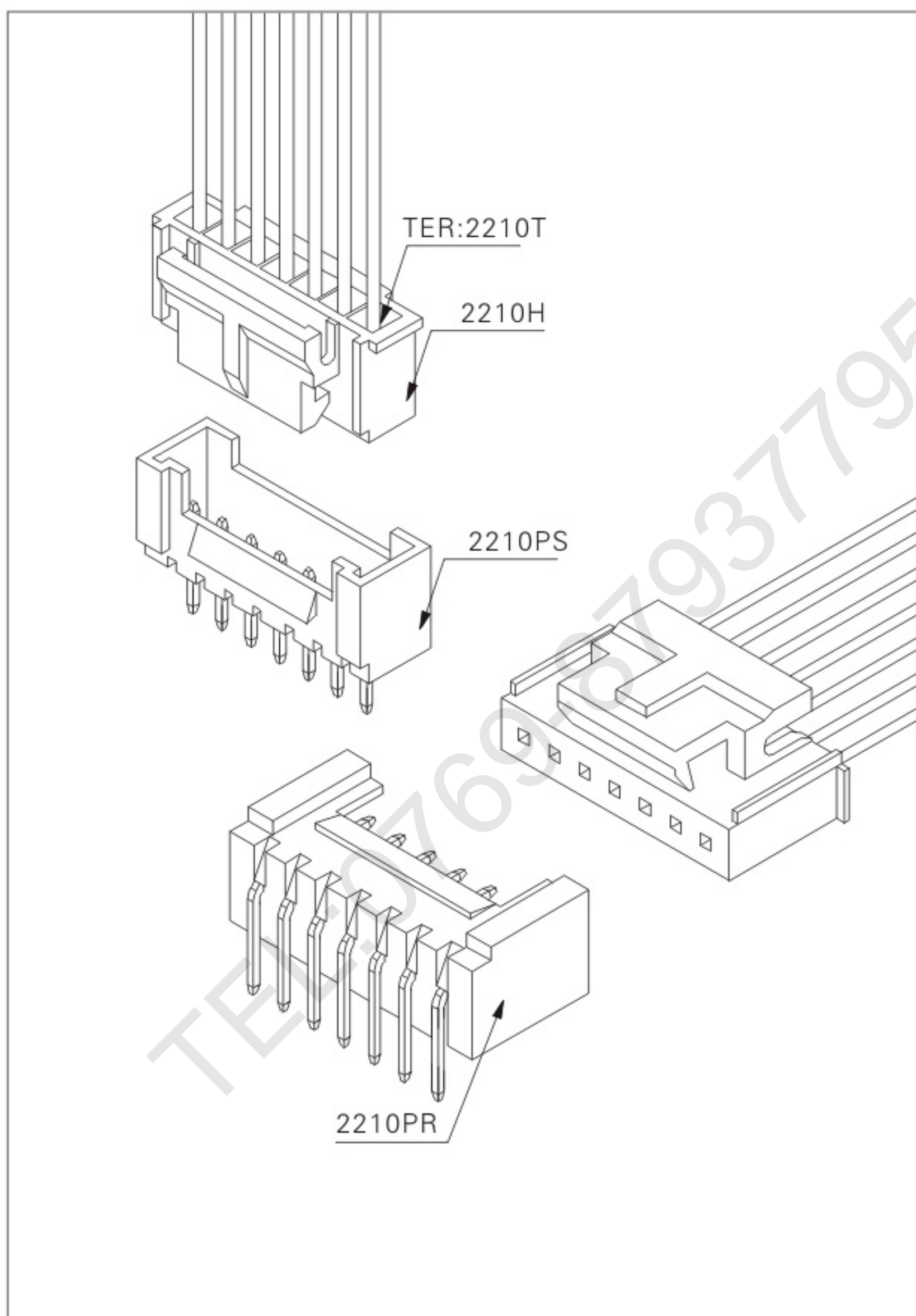
Temperature range: -25°C to + 85°C  
(including temperature rise)

Contact resistance: Initial value/30mΩ Max.

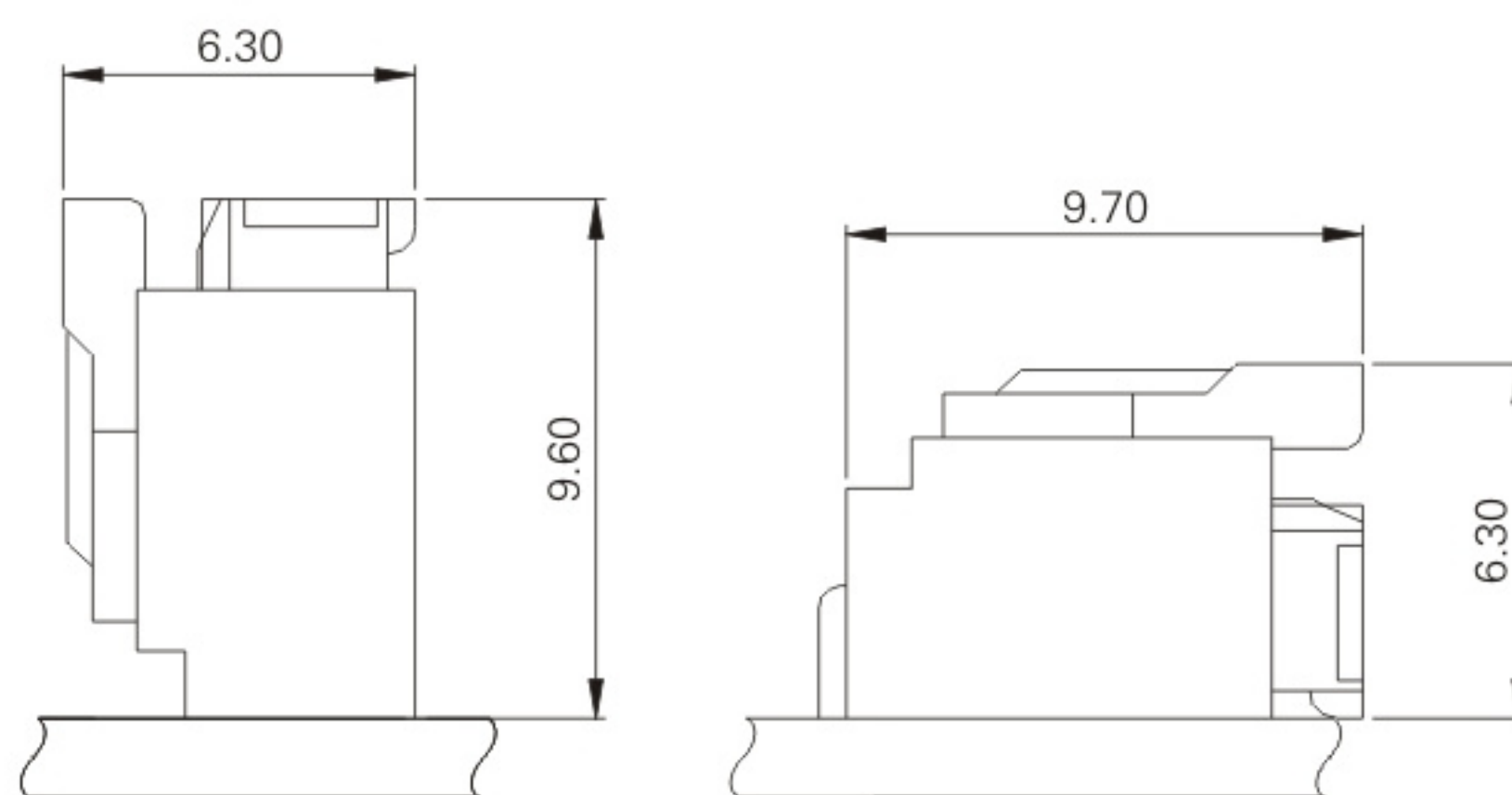
Insulation resistance: 1000MΩ Min.

Withstanding voltage: 1000V AC/minute

Applicable wire: AWG#22-#28



## Assembly layout



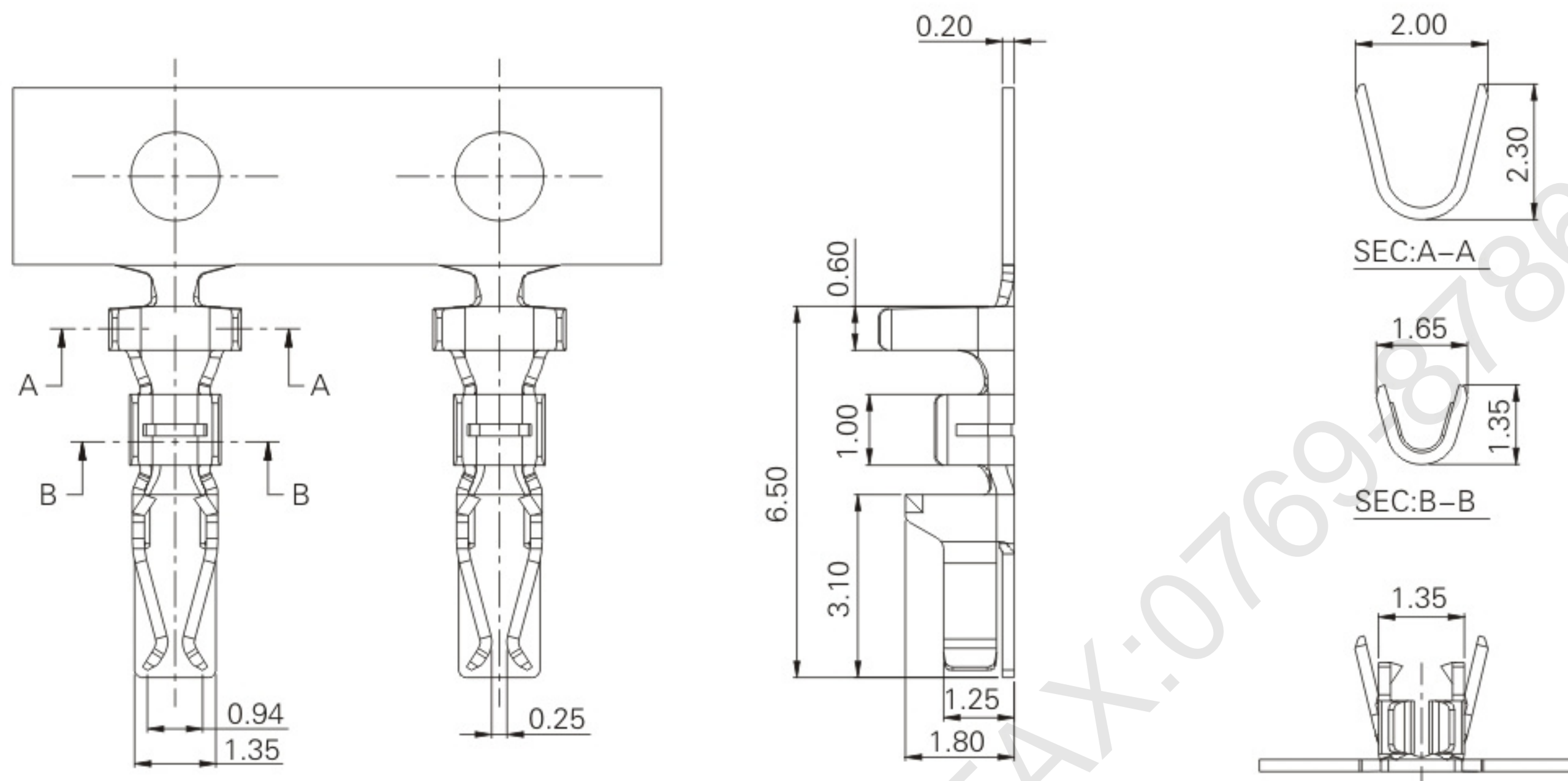


# 2210-T (2.00mm pitch crimp terminal)

## Reference Informations:

\*Material: Phosphor Bronze/Tin-plated

\*Mates With: 2210H series Housing



## Ordering Information & Specifications

Unit: mm

Part No.	Wire Range	Insulation O.D.	Material	Finish	Qty/reel
2210P	AWG#22-#28	1.45mm(max)	Phosphor Bronze	Tin-plated	10,000pcs

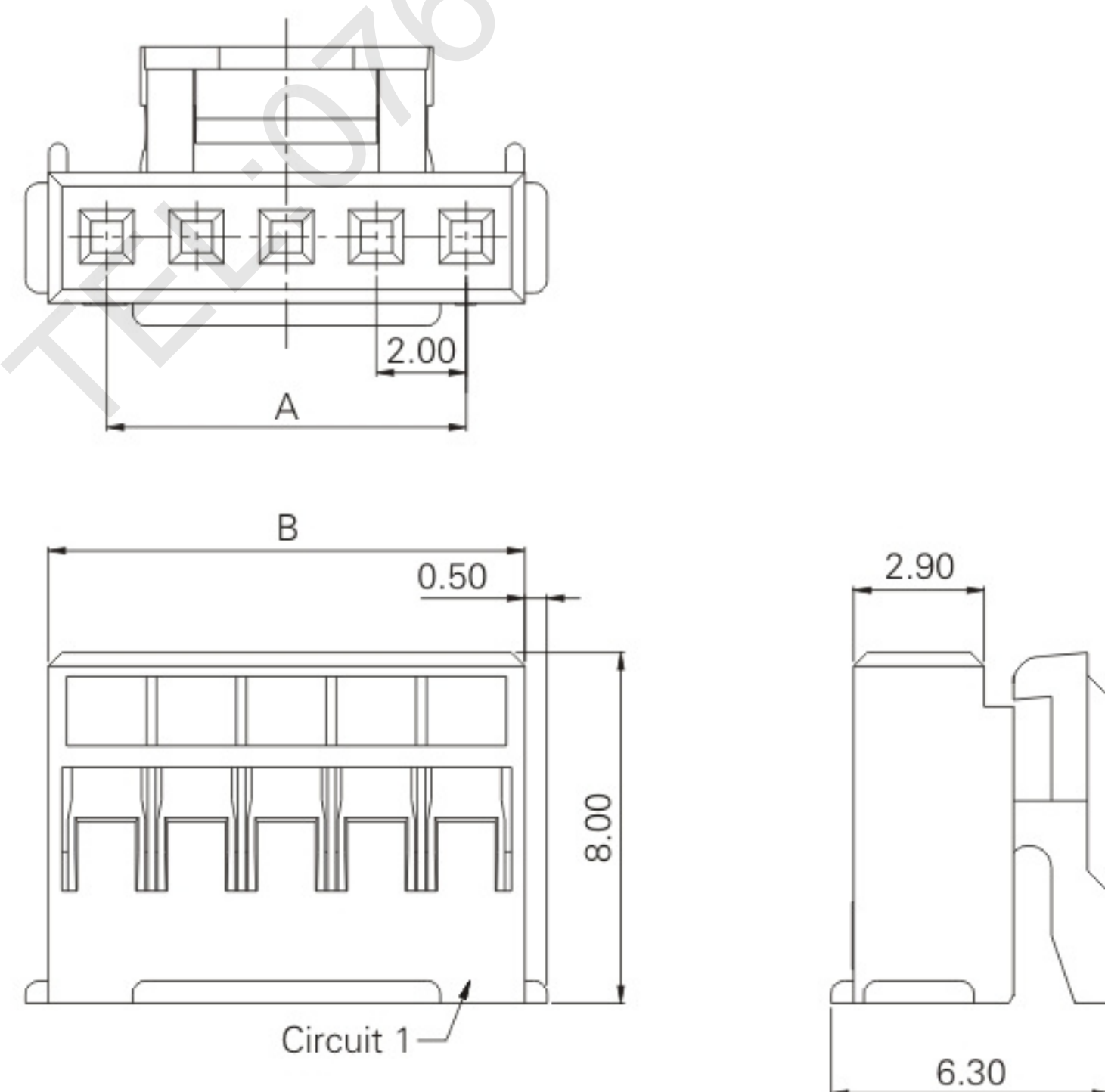
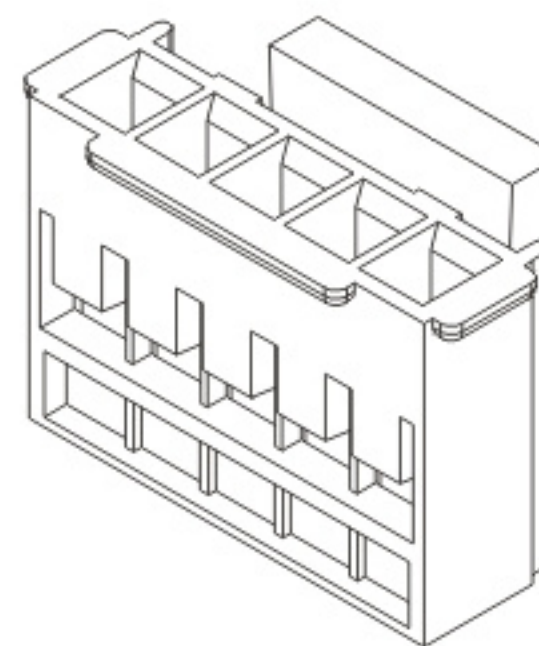
# 2210H-NP (2.00mm pitch crimp housing)

## Reference Informations:

\*Material: Housing: PA66 UL94V-0/White or Red

\*Suitable 2210-T series Terminal

\*Mates with 2210PS & 2210PR series Wafer



## Ordering Information & Dimensions

Circuits	Part No.	DIM.(mm)	
		A	B
02	2210H-02P	2.00	4.60
03	2210H-03P	4.00	6.60
04	2210H-04P	6.00	8.60
05	2210H-05P	8.00	10.60
06	2210H-06P	10.00	12.60
07	2210H-07P	12.00	14.60
08	2210H-08P	14.00	16.60
09	2210H-09P	16.00	18.60
10	2210H-10P	18.00	20.60
11	2210H-11P	20.00	22.60
12	2210H-12P	22.00	24.60
13	2210H-13P	24.00	26.60
14	2210H-14P	26.00	28.60
15	2210H-15P	28.00	30.60
16	2210H-16P	30.00	32.60



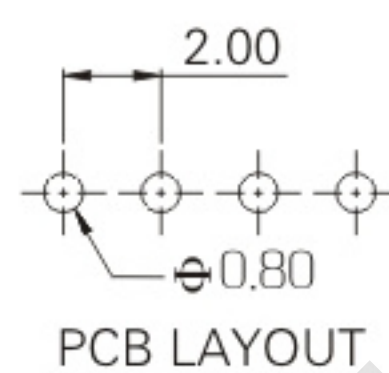
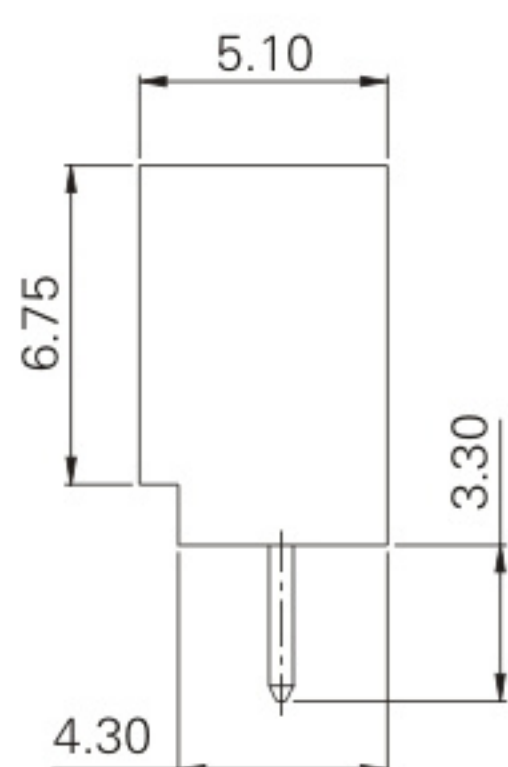
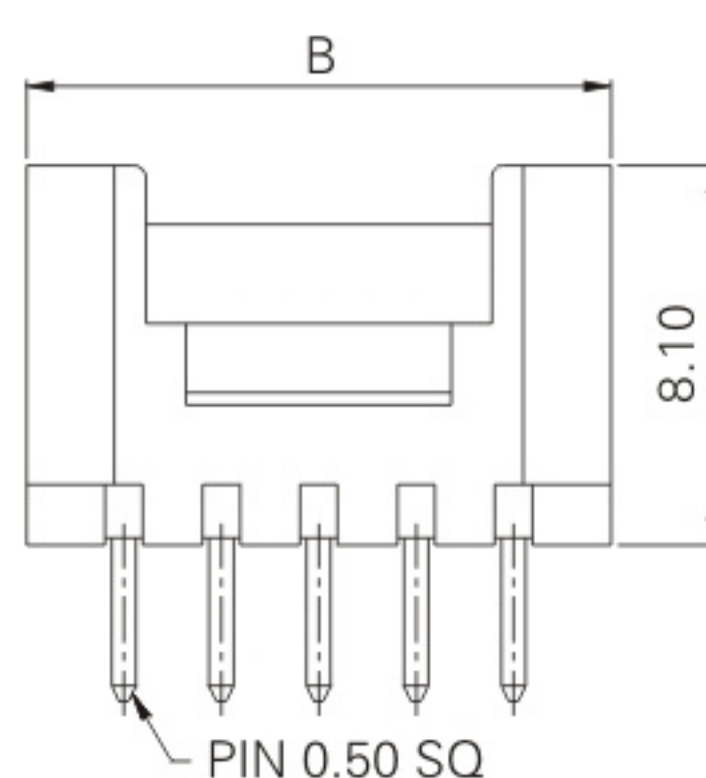
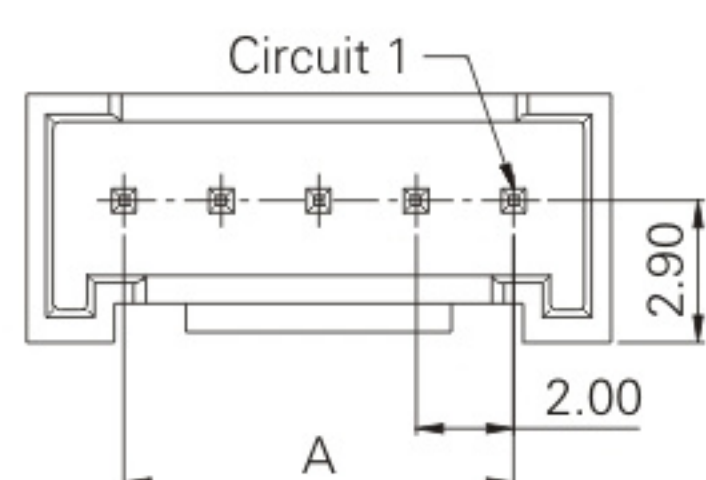
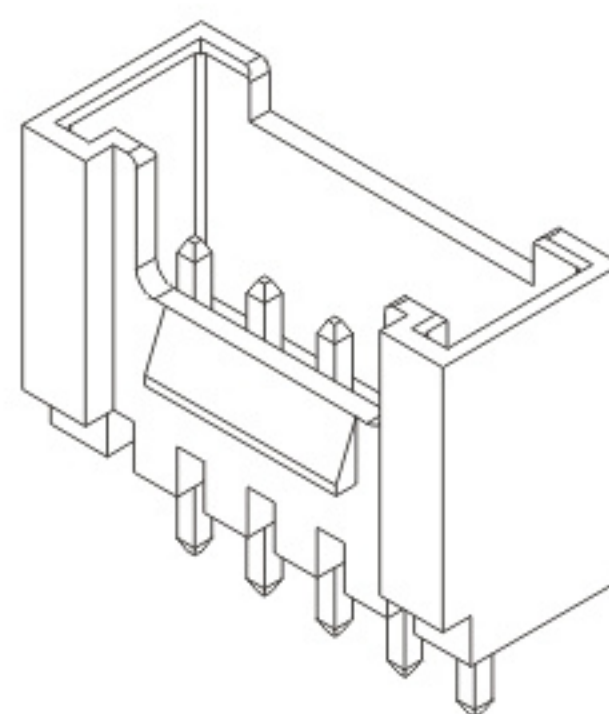
# 2210PS-NP (2.00mm pitch 180° wafer)

## Reference Informations:

\*Material: Pin: Brass/Tin-plated

Wafer: PA66, UL94V-0/White or Red

\*Suitable 2210H series Housing



## Ordering Information & Dimensions

Circuits	Part No.	DIM.(mm)	
		A	B
02	2210PS-02P	2.00	6.00
03	2210PS-03P	4.00	8.00
04	2210PS-04P	6.00	10.00
05	2210PS-05P	8.00	12.00
06	2210PS-06P	10.00	14.00
07	2210PS-07P	12.00	16.00
08	2210PS-08P	14.00	18.00
09	2210PS-09P	16.00	20.00
10	2210PS-10P	18.00	22.00
11	2210PS-11P	20.00	24.00
12	2210PS-12P	22.00	26.00
13	2210PS-13P	24.00	28.00
14	2210PS-14P	26.00	30.00
15	2210PS-15P	28.00	32.00
16	2210PS-16P	30.00	34.00

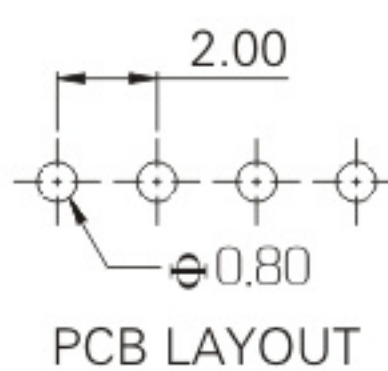
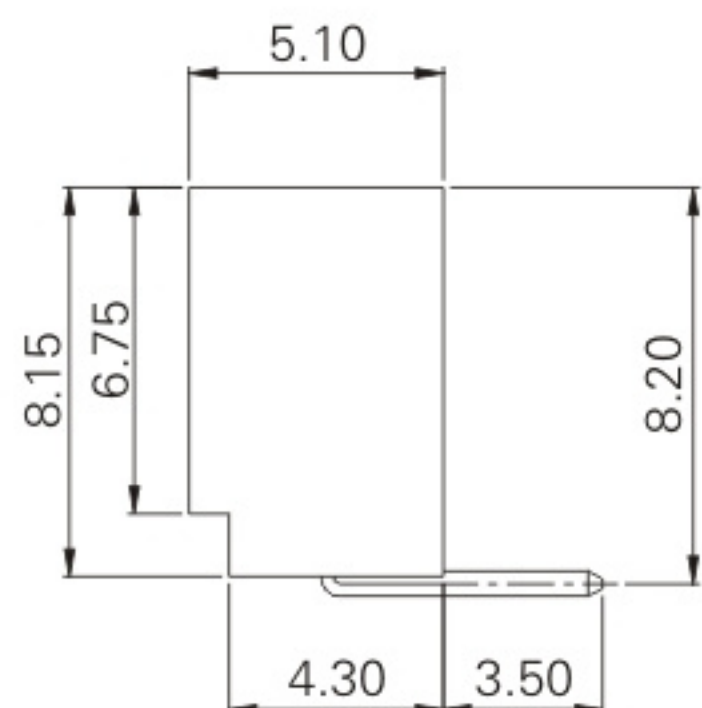
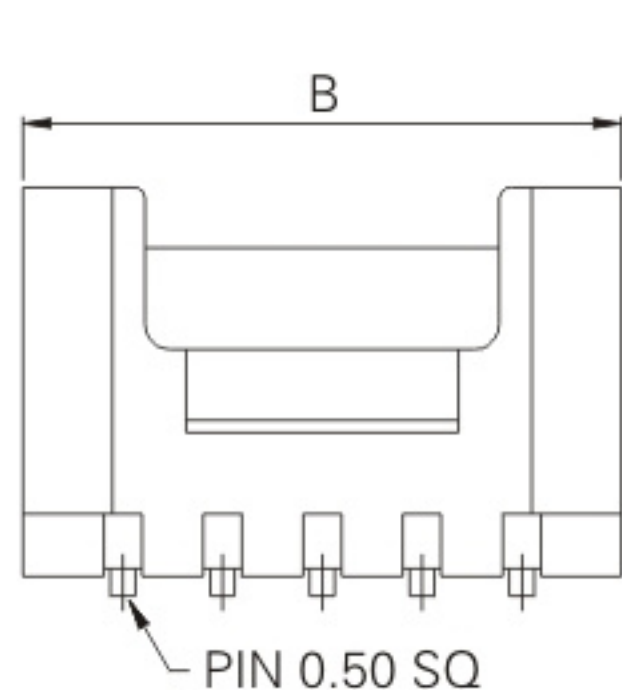
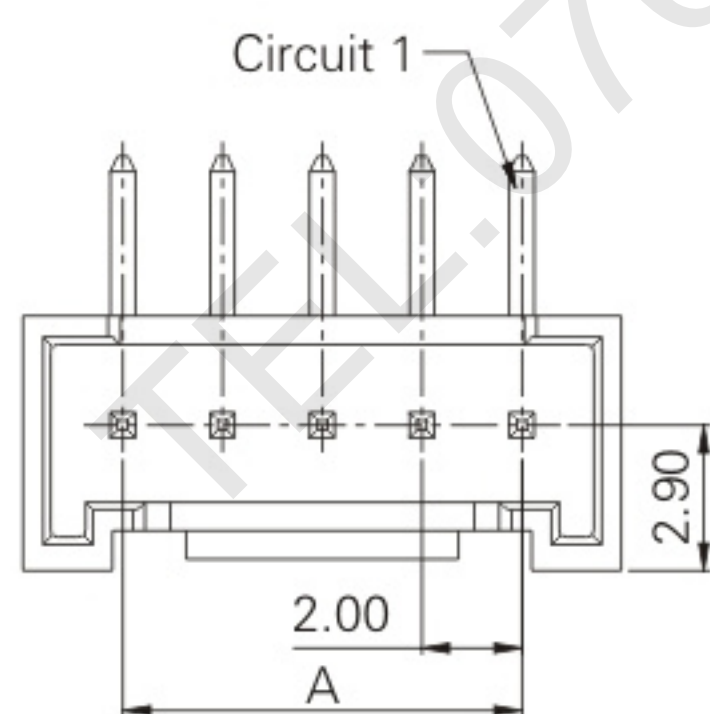
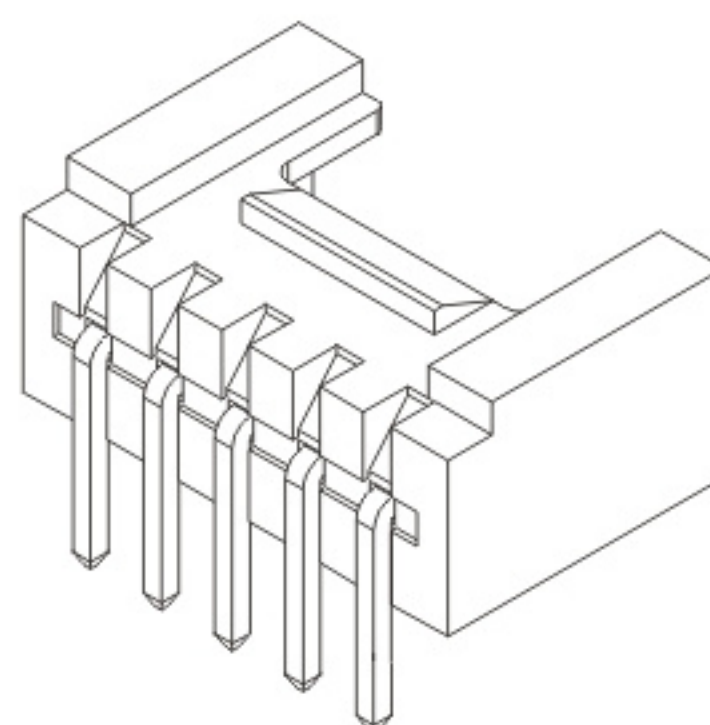
# 2210PR-NP (2.0mm pitch 90° wafer)

## Reference Informations:

\*Material: Pin: Brass/Tin-plated

Wafer: PA66, UL94V-0/White

\*Suitable 2210H series Housing



## Ordering Information & Dimensions

Circuits	Part No.	DIM.(mm)	
		A	B
02	2210PR-02P	2.00	6.00
03	2210PR-03P	4.00	8.00
04	2210PR-04P	6.00	10.00
05	2210PR-05P	8.00	12.00
06	2210PR-06P	10.00	14.00
07	2210PR-07P	12.00	16.00
08	2210PR-08P	14.00	18.00
09	2210PR-09P	16.00	20.00
10	2210PR-10P	18.00	22.00
11	2210PR-11P	20.00	24.00
12	2210PR-12P	22.00	26.00
13	2210PR-13P	24.00	28.00
14	2210PR-14P	26.00	30.00
15	2210PR-15P	28.00	32.00
16	2210PR-16P	30.00	34.00