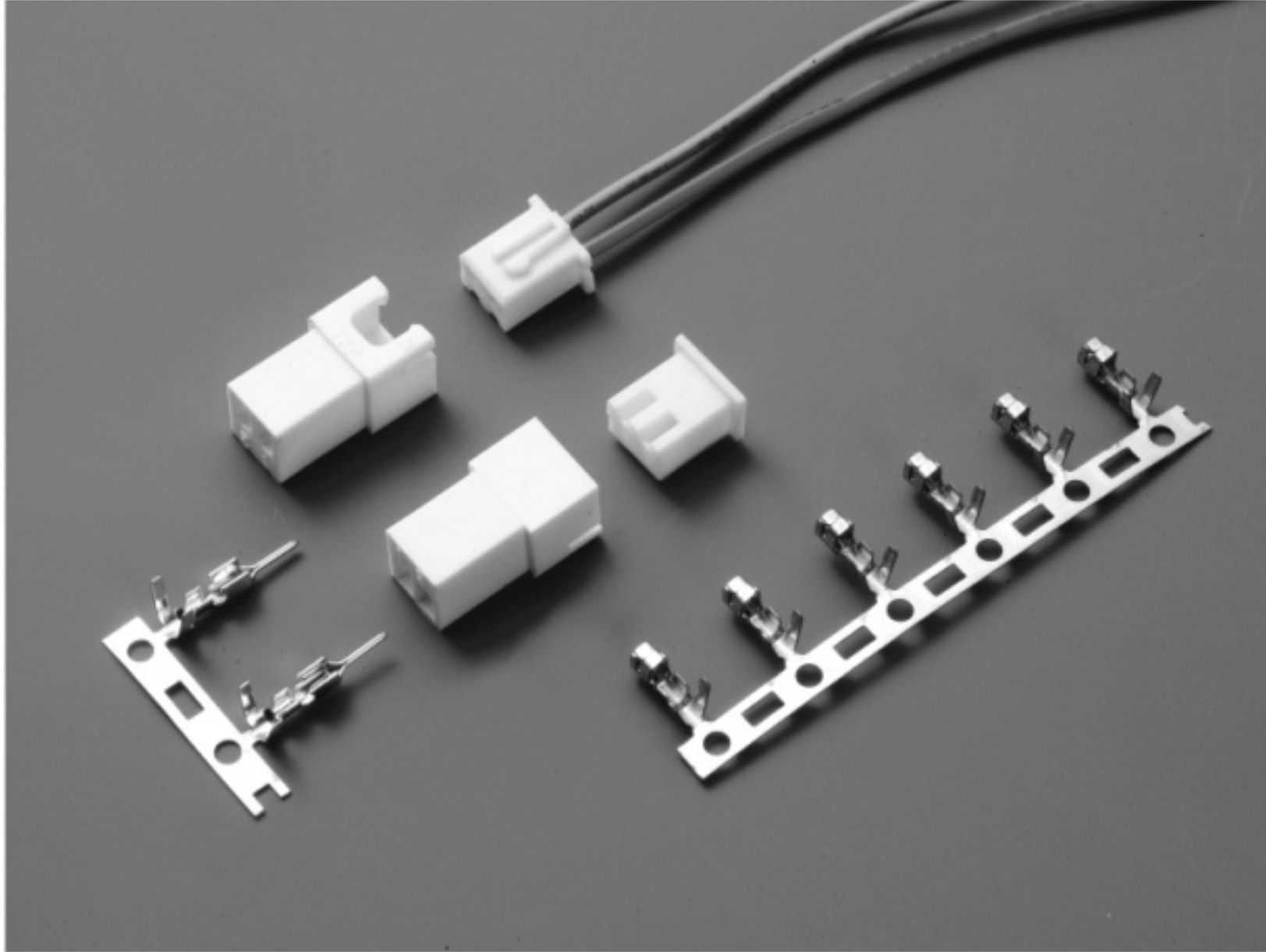


2530H/2530CH SERIES

2.50mm PITCH WIRE TO WIRE CONNECTOR



Specifications

Current rating: 3A AC,DC

Voltage rating: 250V AC,DC

Temperature range: -25°C to +85°C
(including temperature rise)

Contact resistance: Initial value/ 10m Ω Max.

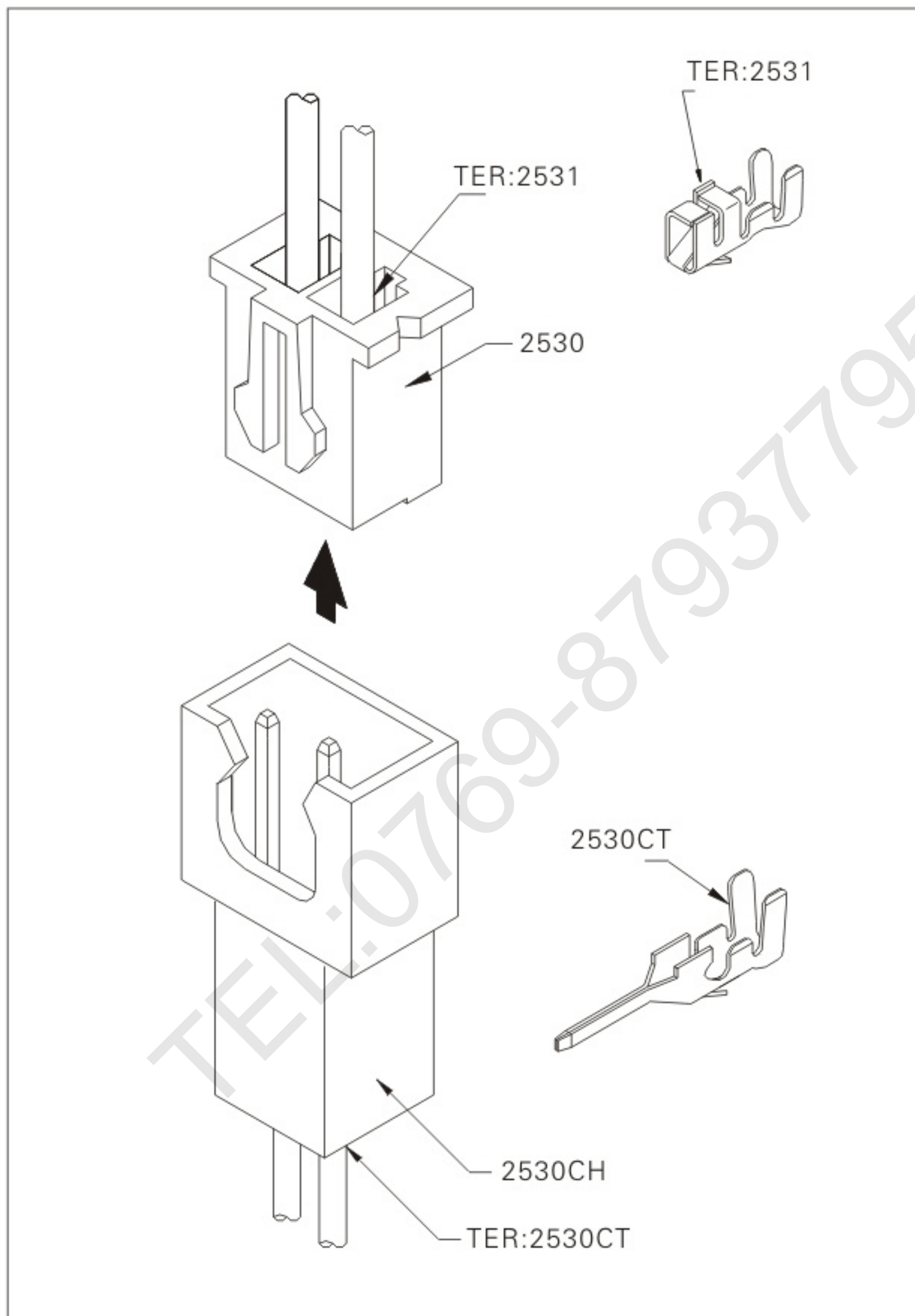
After environmental testing/20m Ω Max.

Insulation resistance: 1000M Ω Min.

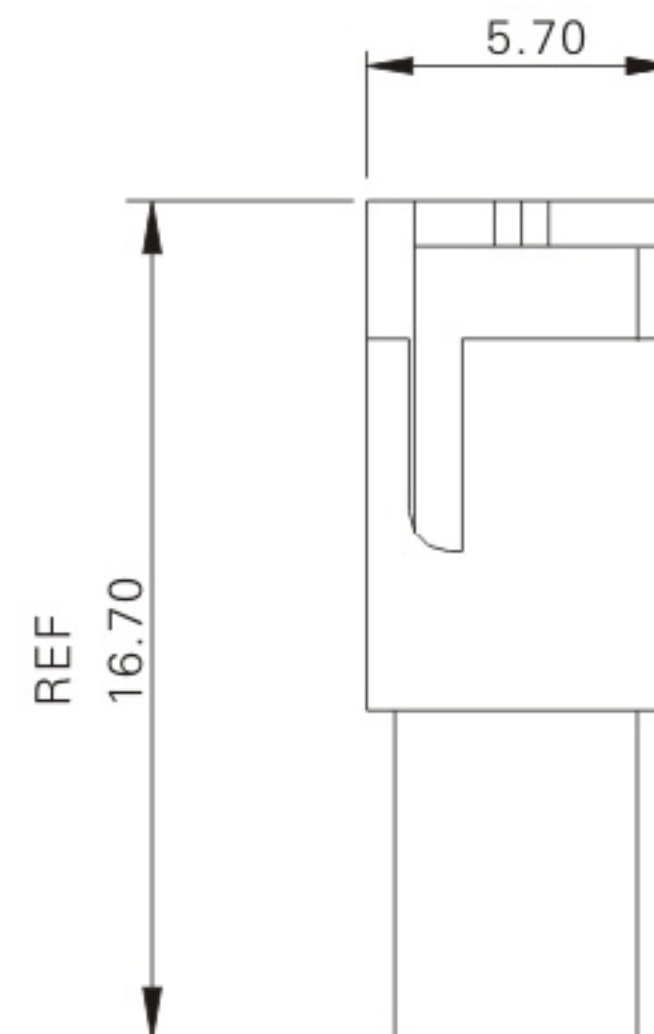
Withstanding voltage: 1500V AC/minute

Applicable wire: 2531: AWG#22-#30

2530CT: AWG#24-#28



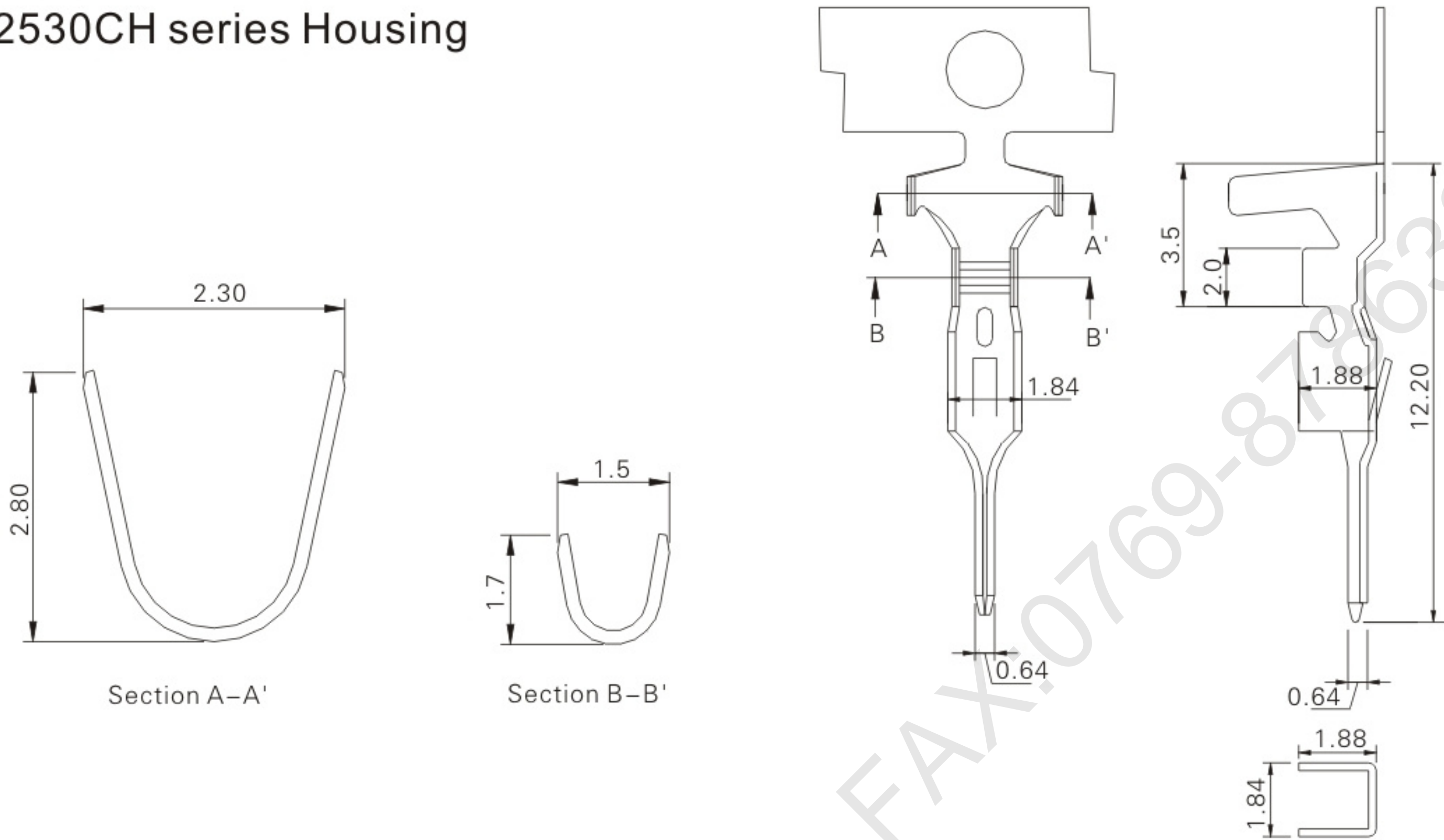
Assembly layout



2530CT (2.50mm pitch crimp terminal)

Reference Informations:

- *Thickness: 0.2mm
- *Mat'l: Brass Tin Plated
- *Mates With: 2530CH series Housing



Ordering Information & Specifications

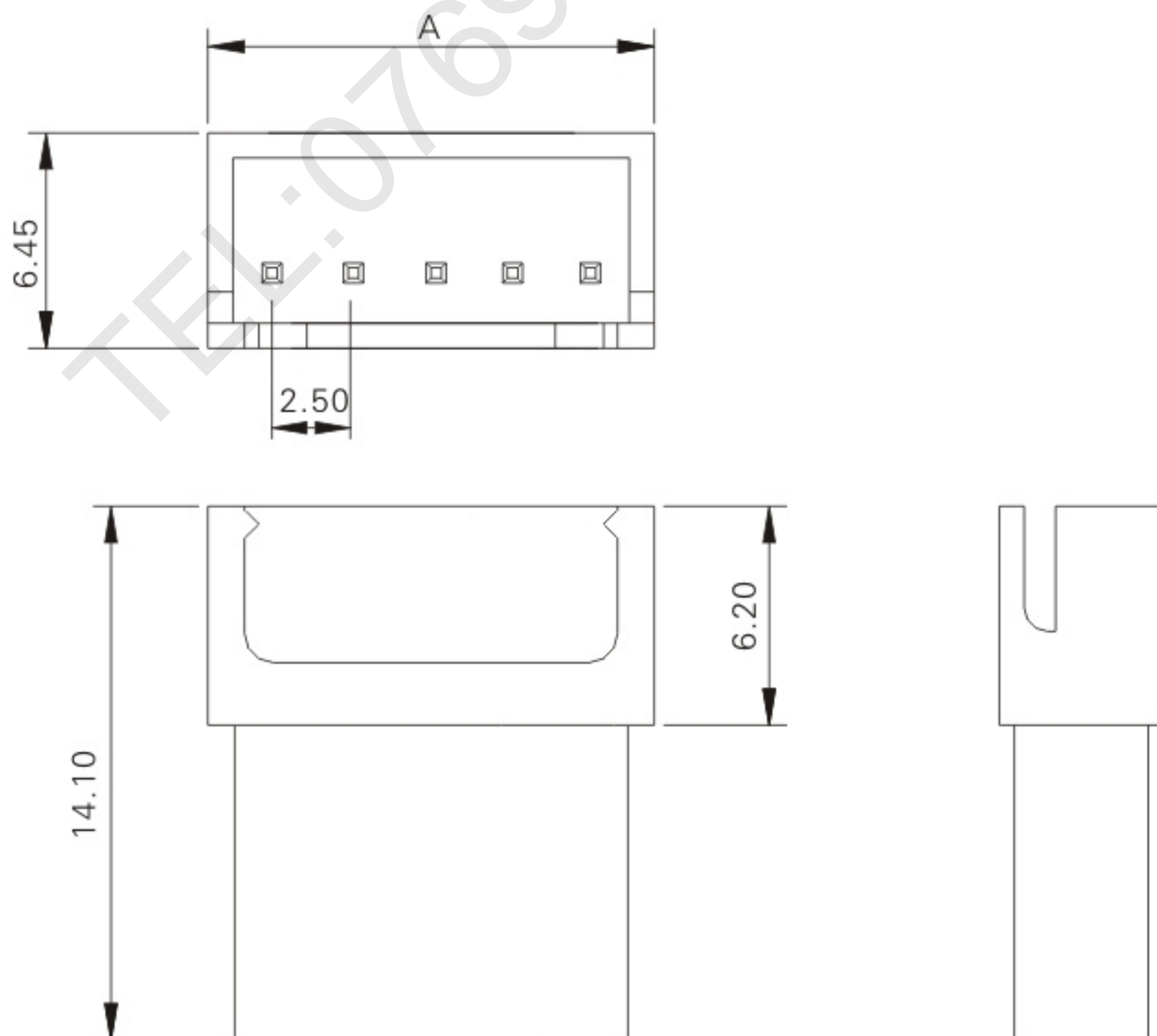
Unit: mm

Part No.	Wire Range	Material	Finish	Qty/reel
2530CT	AWG#28-24	Brass	Tin-plated	10,000

2530CH-NP (2.5mm pitch crimp housing)

Reference Informations:

- *Mat'l: Nylon 66 UL94V-0
- *Mates With: 2530CT series Terminal
- *Accepts With: 2530h series Housing



Ordering Information & Dimensions

Circuits	Part No.	DIM.(mm)	
		A	B
02	2530CH-02P	7.5	2.5
03	2530CH-03P	10.0	5.0
04	2530CH-04P	12.5	7.5
05	2530CH-05P	15.0	10.0
06	2530CH-06P	17.5	12.5
07	2530CH-07P	20.0	15.0
08	2530CH-08P	22.5	17.5
09	2530CH-09P	25.0	20.0
10	2530CH-10P	27.5	22.5
11	2530CH-11P	30.0	25.0
12	2530CH-12P	32.5	27.5
13	2530CH-13P	35.0	30.0
14	2530CH-14P	37.5	32.5
15	2530CH-15P	40.0	35.0
16	2530CH-16P	42.5	37.5
17	2530CH-17P	45.0	40.0
18	2530CH-18P	47.5	42.5
19	2530CH-19P	50.0	45.0
20	2530CH-20P	52.5	47.5