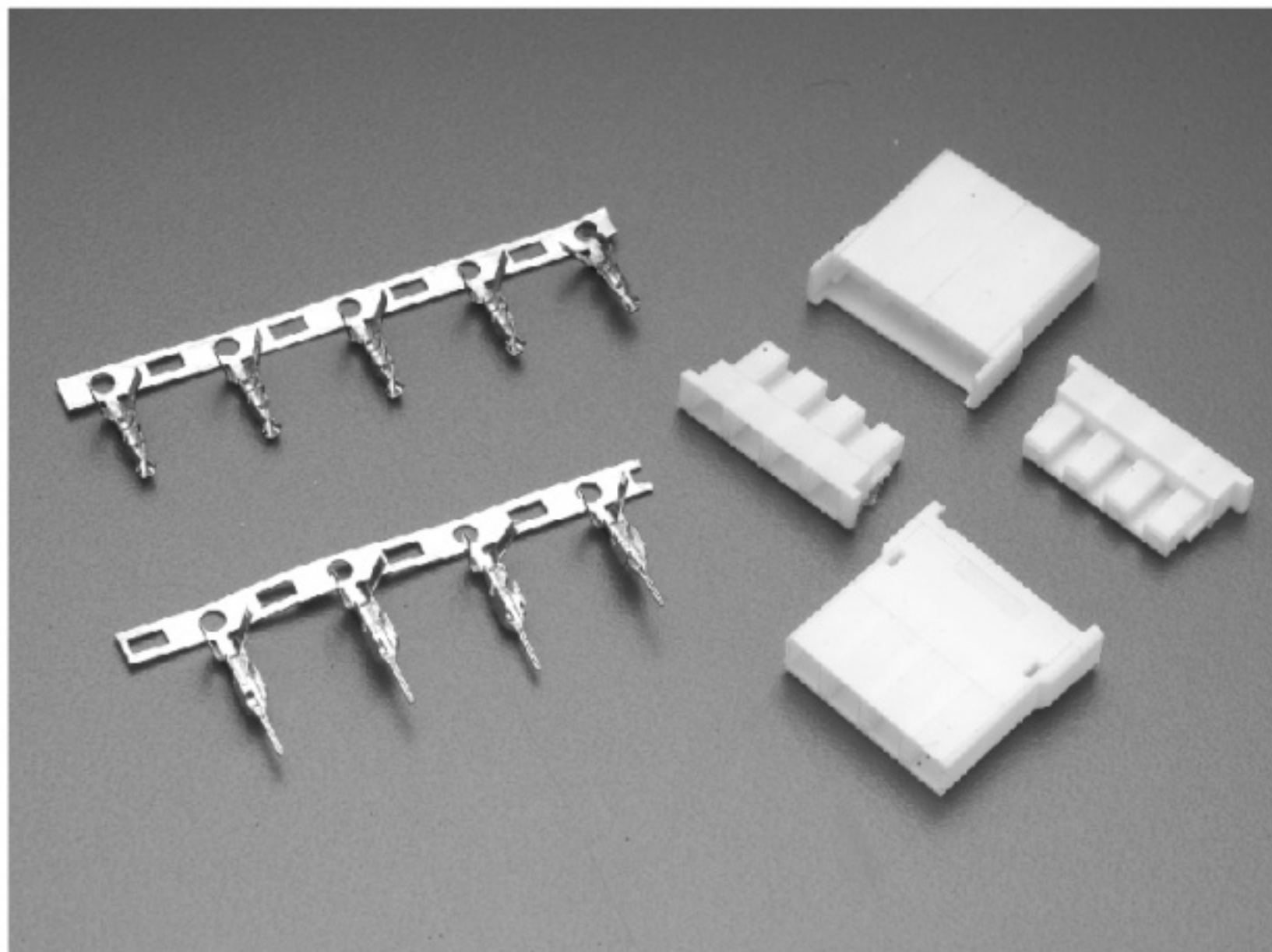


4001H/4001CH SERIES

4.00mm PITCH WIRE TO WIRE CONNECTOR



Specifications

Current rating: 3A AC,DC

Voltage rating: 250V AC,DC

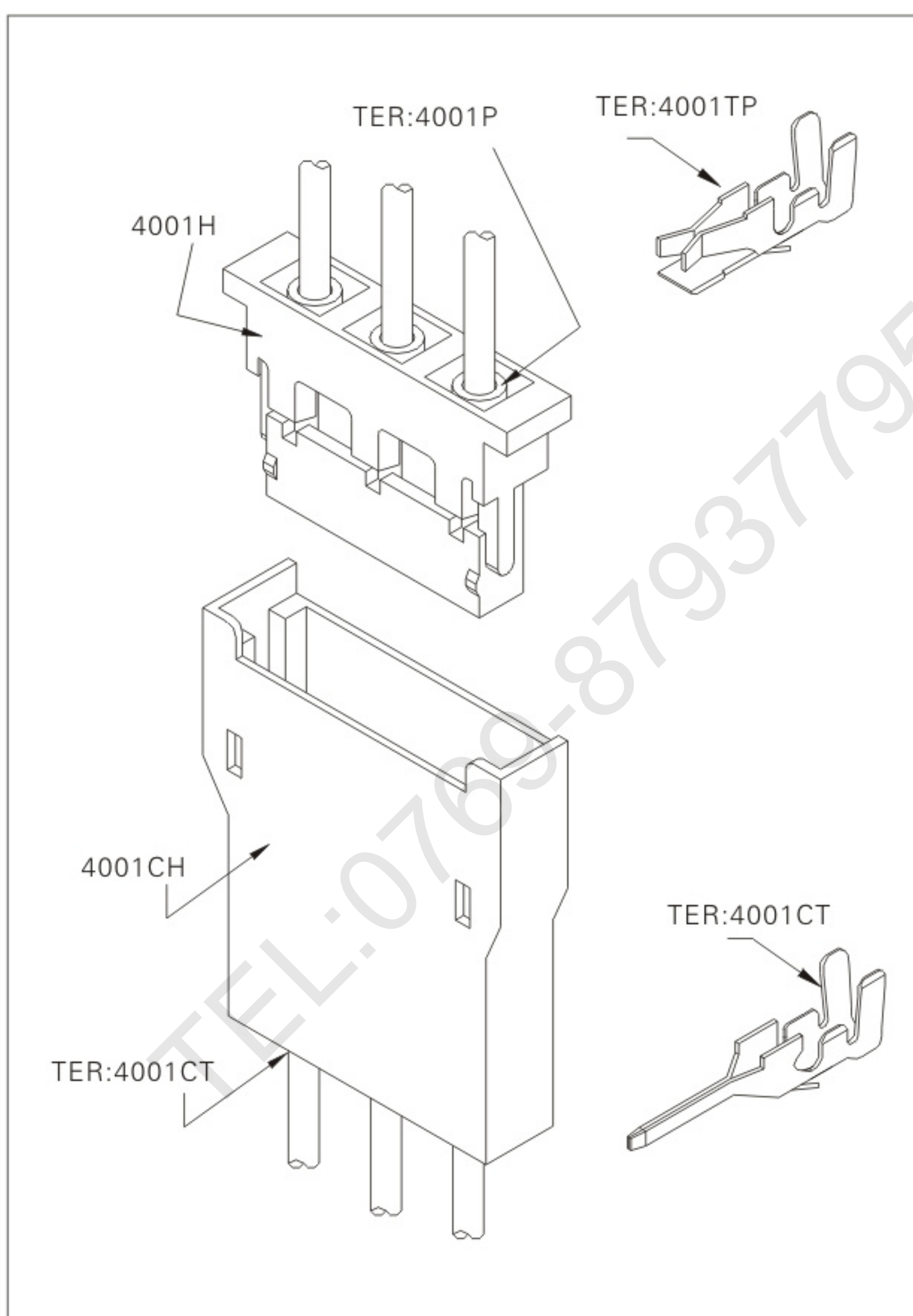
Temperature range: -25°C to +85°C
(including temperature rise)

Contact resistance: Initial value/ 10m Ω Max.
After environmental testing/20m Ω Max.

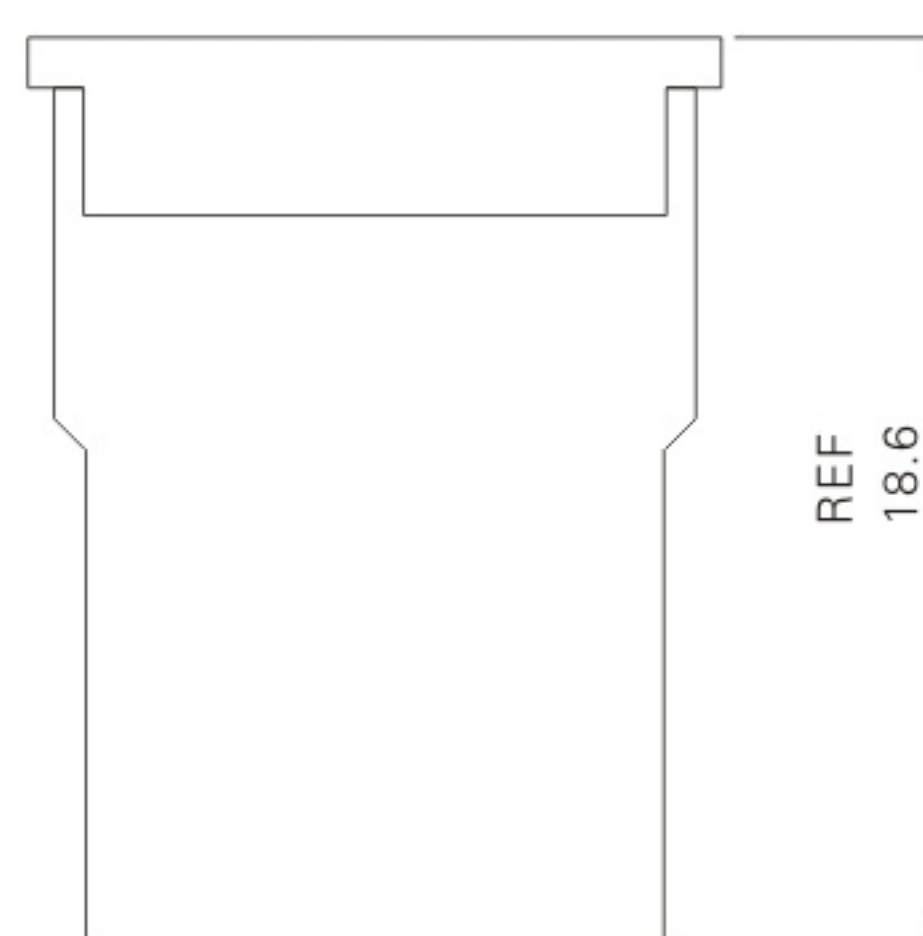
Insulation resistance: 500 M Ω Min.

Withstanding voltage: 1500V AC/minute

Applicable wire: AWG#22-#28



Assembly layout

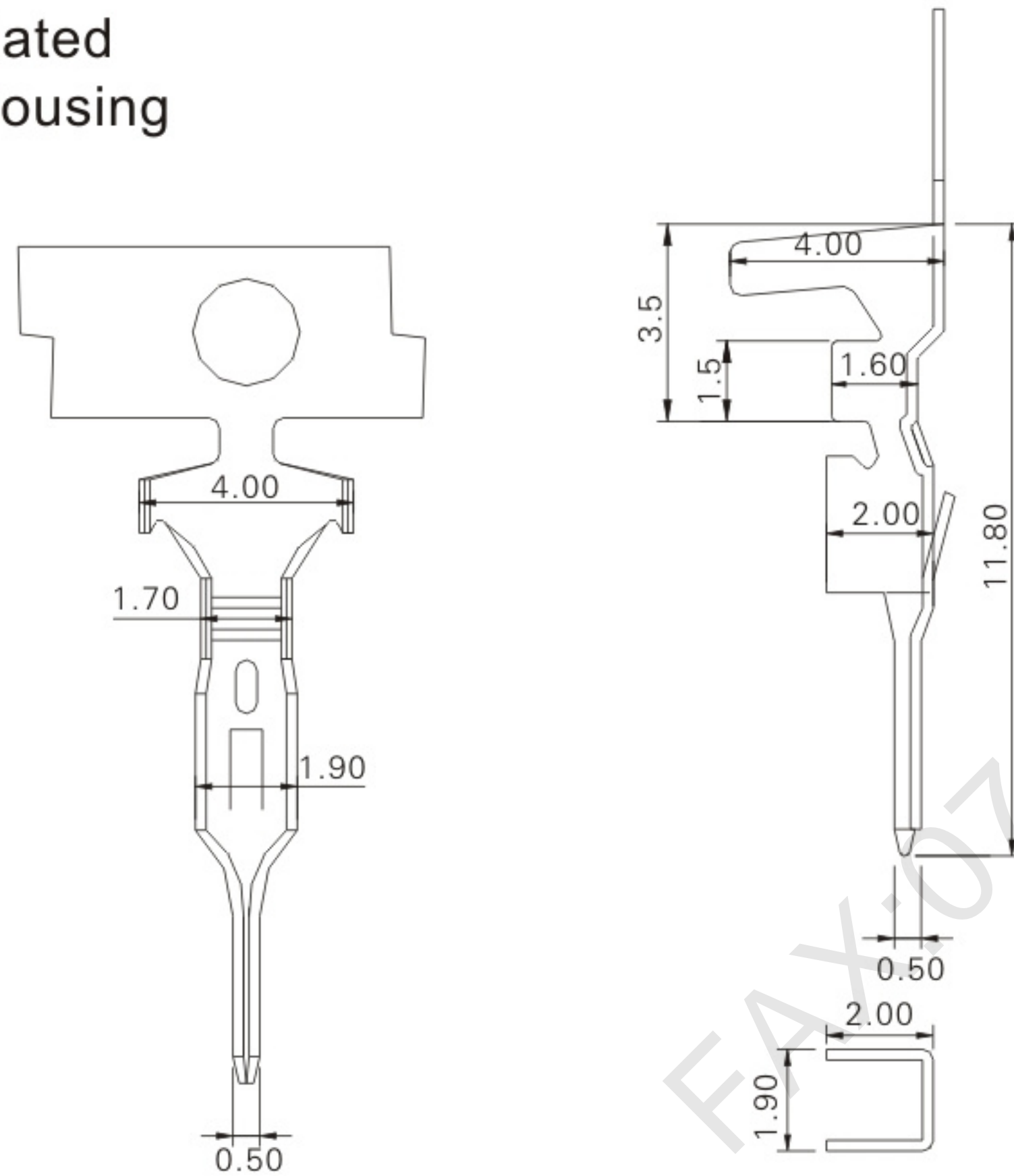


WIRE TO WIRE TYPE

4001CT (2.0mm/4.0mm/8.0mm pitch crimp terminal)

Reference Informations:

- *Thickness: 0.2mm
- *Mat'l: Phosphor Bronze Tin Plated
- *Mates With: 4001CH series Housing



Ordering Information & Specifications

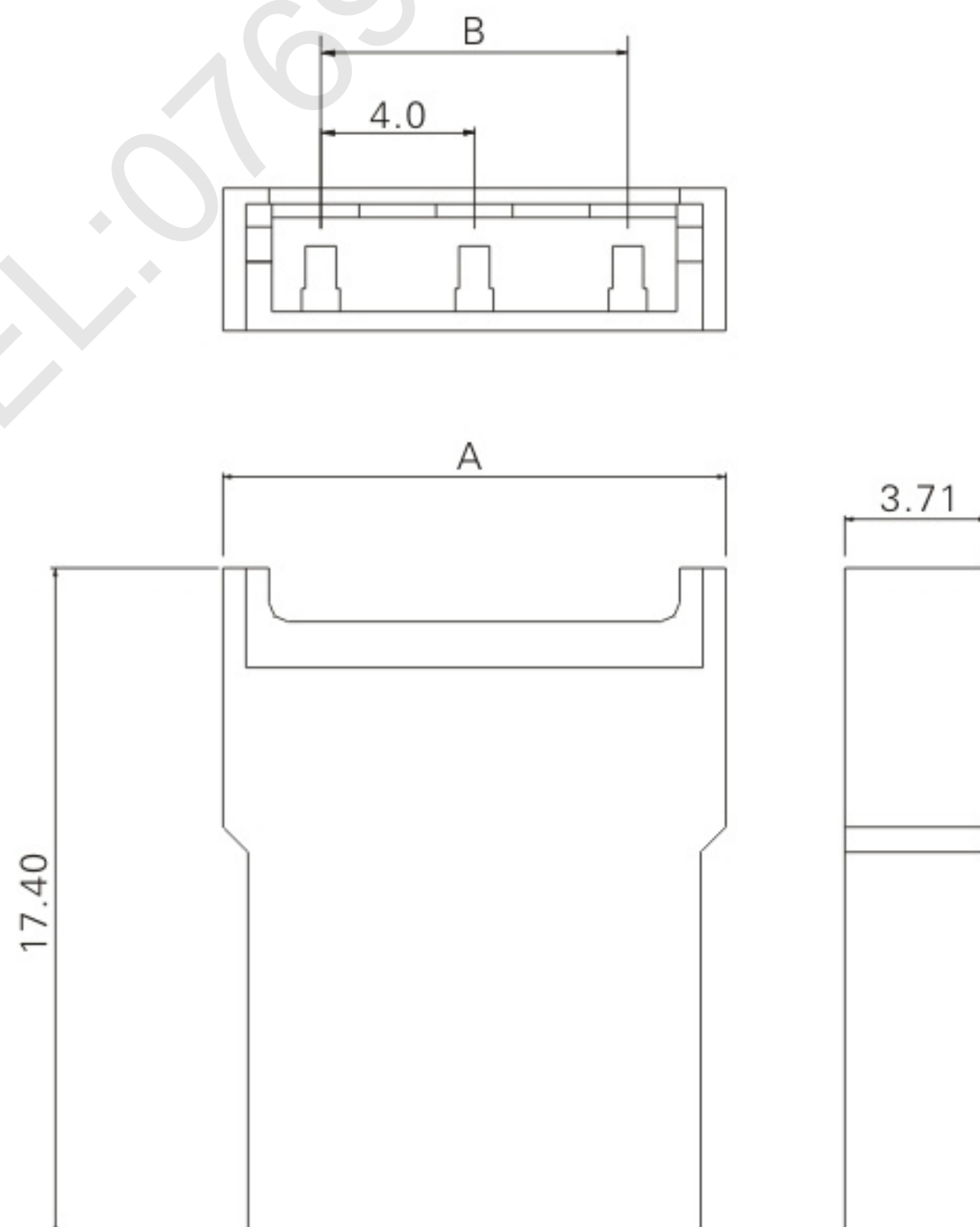
Unit: mm

Part No.	Wire Range	Insulation O.D.	Material	Finish	Qty/reel
4001CT	AWG#22-#28	Φ1.7mm max	Phosphor bronze	Tin-plated	5,000

4001CH (2.0mm/4.0mm/8.0mm pitch crimp housing)

Reference Informations:

- *Mat'l: Nylon 66 UL94V-0
- *Mates With: 4001CT series Terminal
- *Accepts With: 4001H series Housing



Ordering Information & Dimensions

Circuits	Part No.	DIM.(mm)	
		A	B
02	4001CH-02	9.1	4
03	4001CH-03	13.1	8
04	4001CH-04	17.1	12