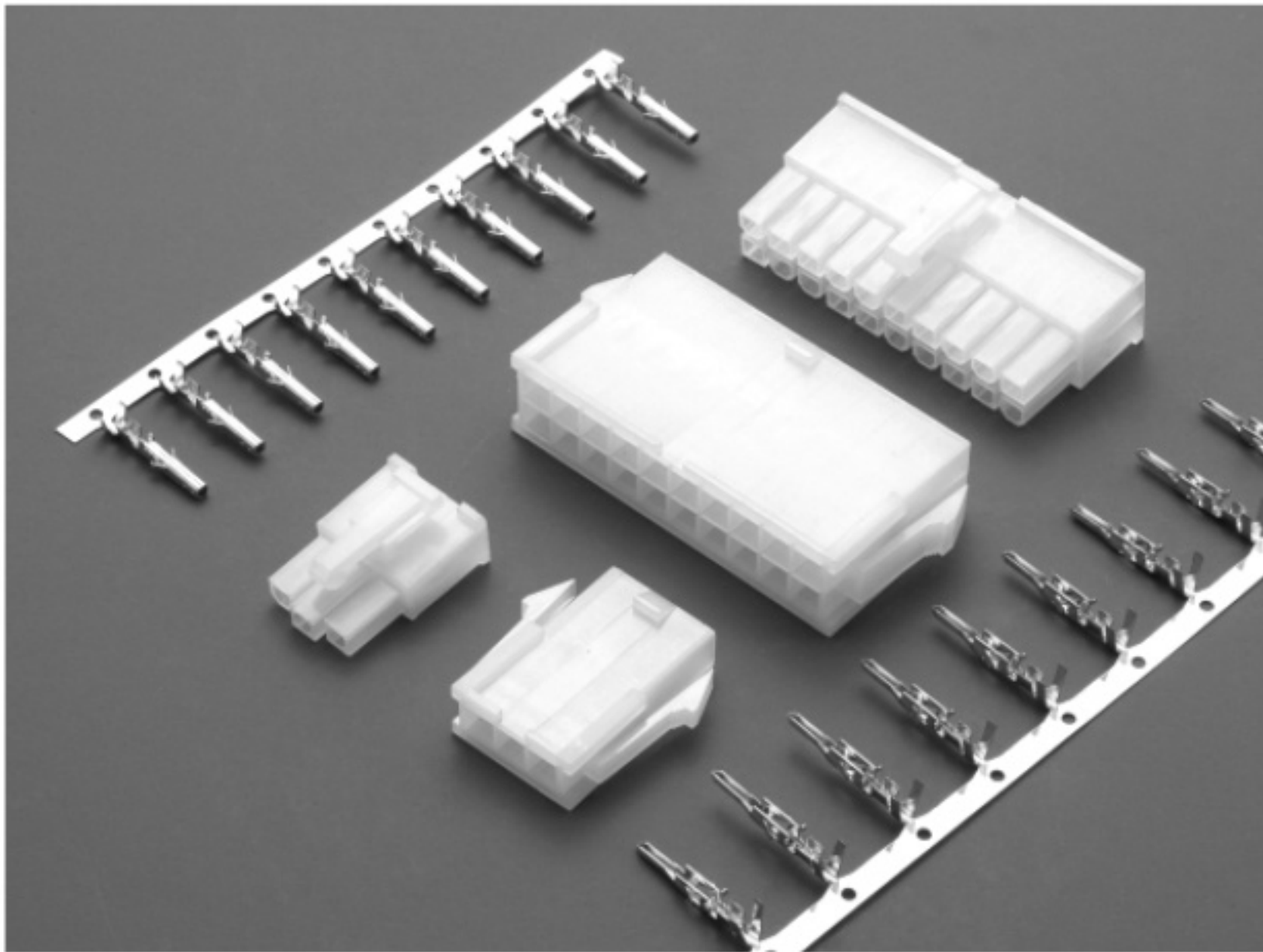


5015H/5016H SERIES

4.20mm PITCH WIRE TO WIRE CONNECTOR



Specifications

Current rating: 6-7A AC ,DC

Voltage rating: 250V AV,DC

Temperature range: -25°C~+85°C

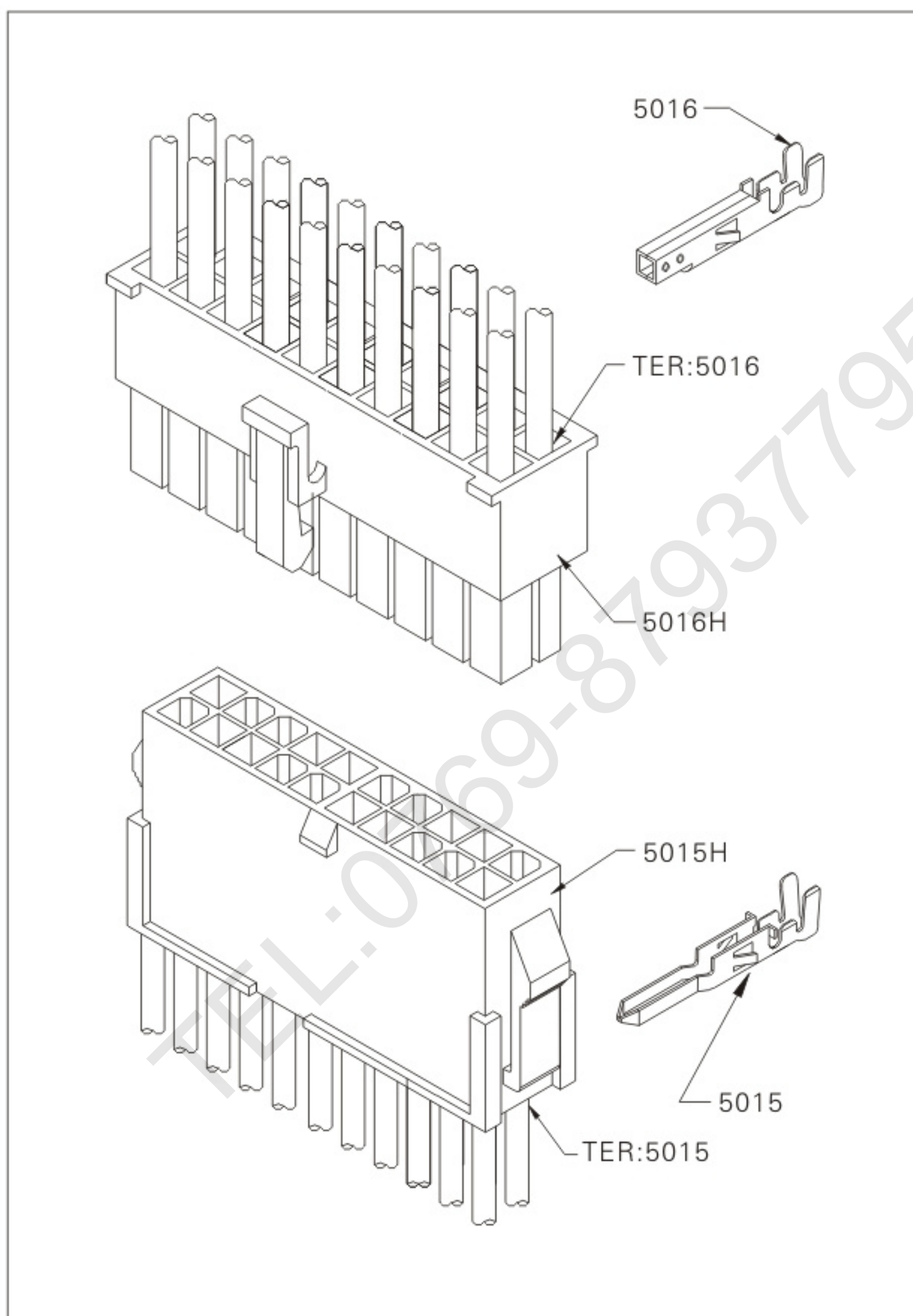
Contact resistance: 10mΩ Max.

Insulation resistance: 500MΩ Min

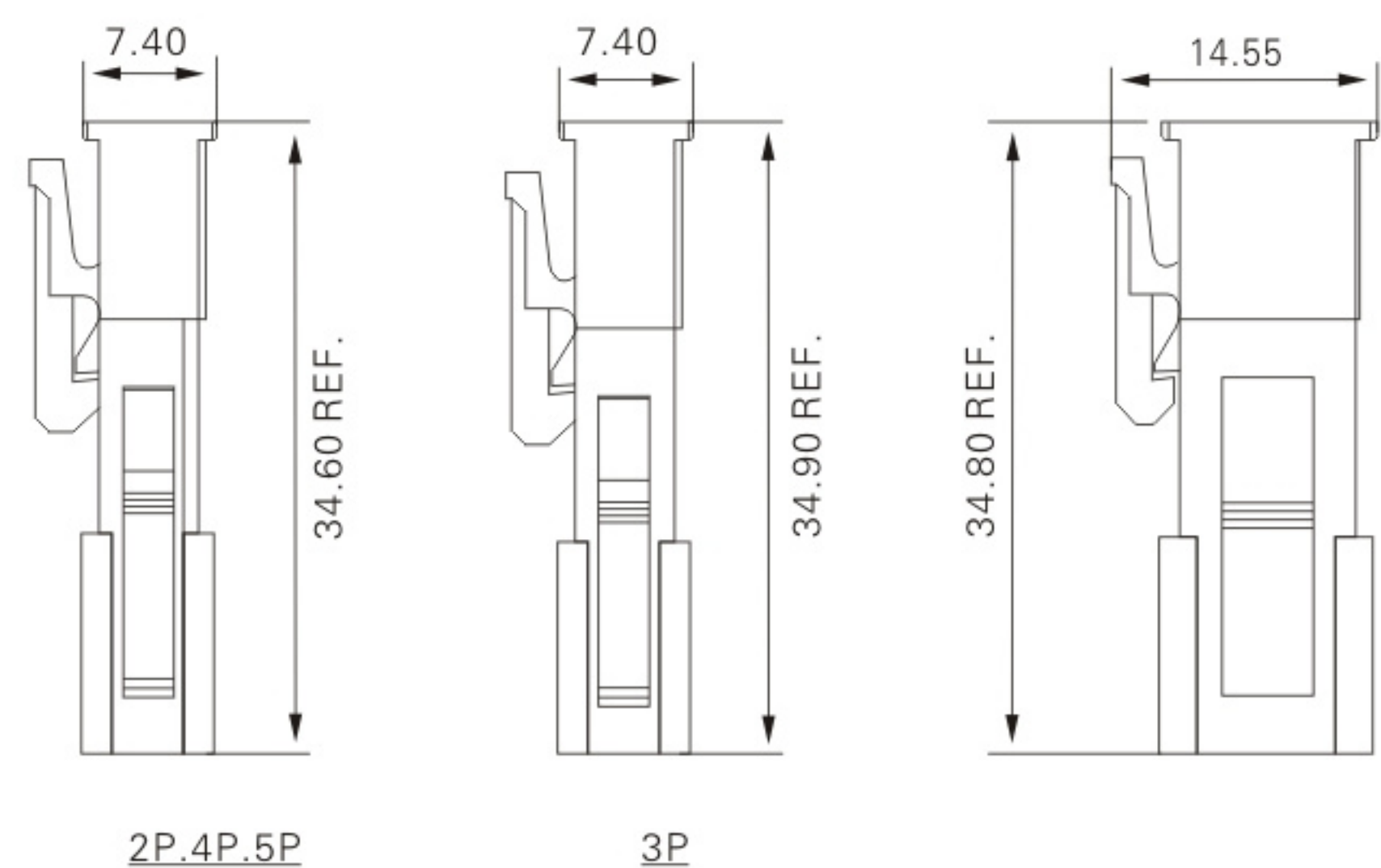
Withstanding voltage: 1500V AC/minute

Applicable wire: T1: AWG#18-#22

T2: AWG#22-#24



Assembly layout

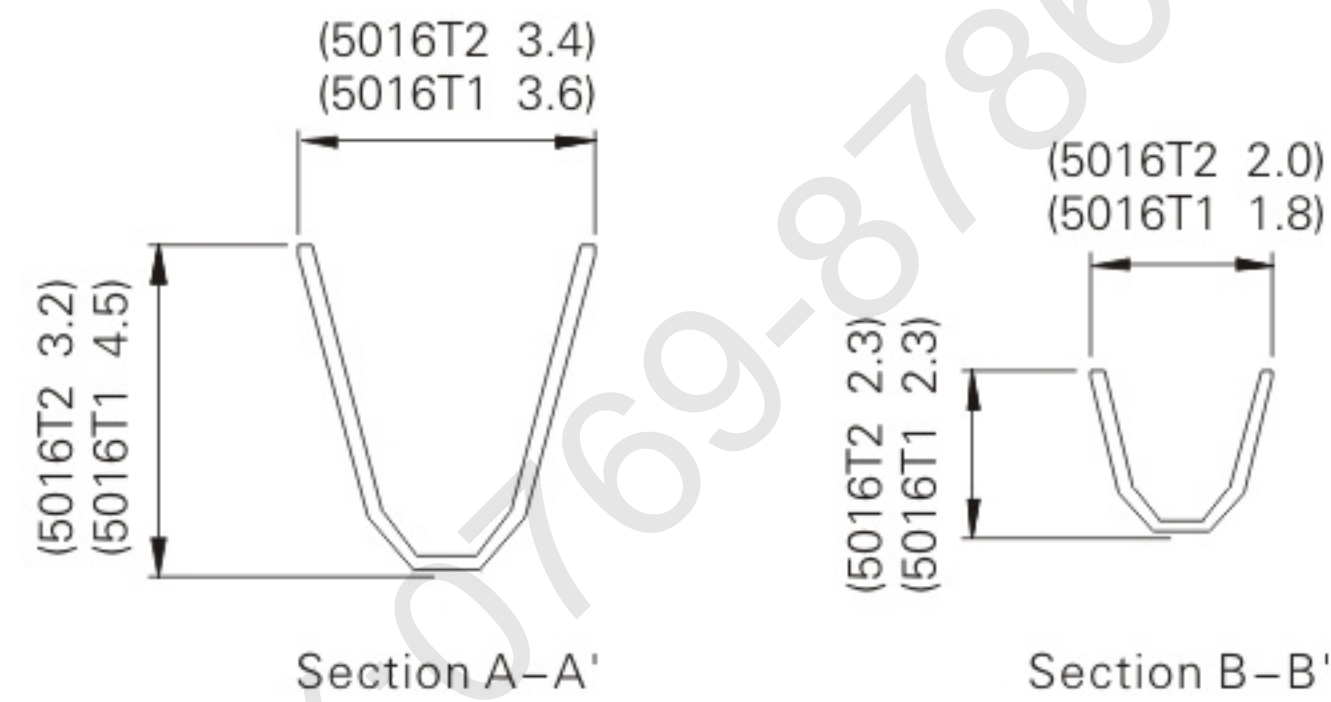
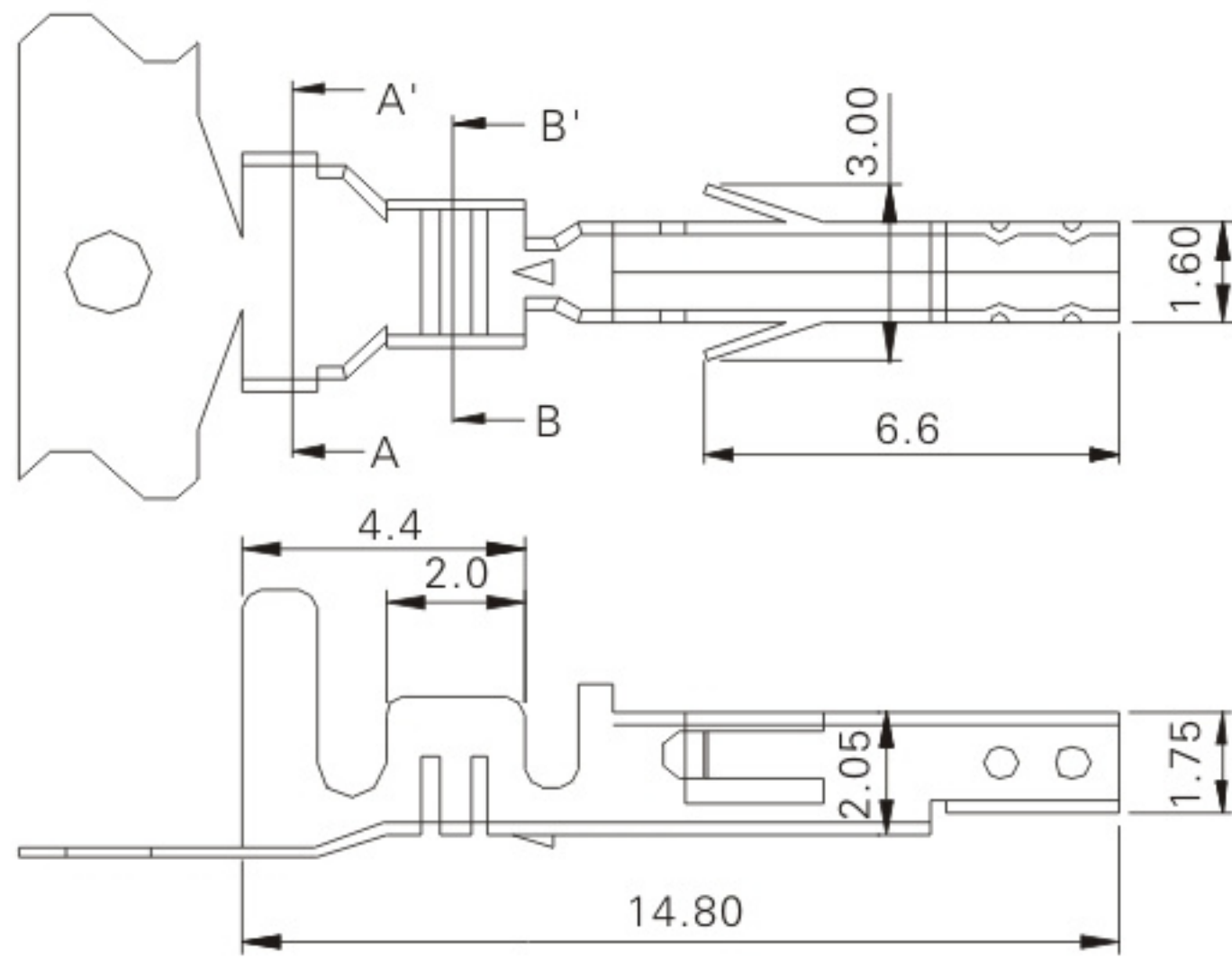


WIRE TO WIRE TYPE

5016-T (4.20mm pitch crimp terminal)

Reference Informations:

- *Thickness: 0.2mm
- *Mat'l: Brass Tin Plated
- *Mates With: 5016H series Housing



Ordering Information & Specifications

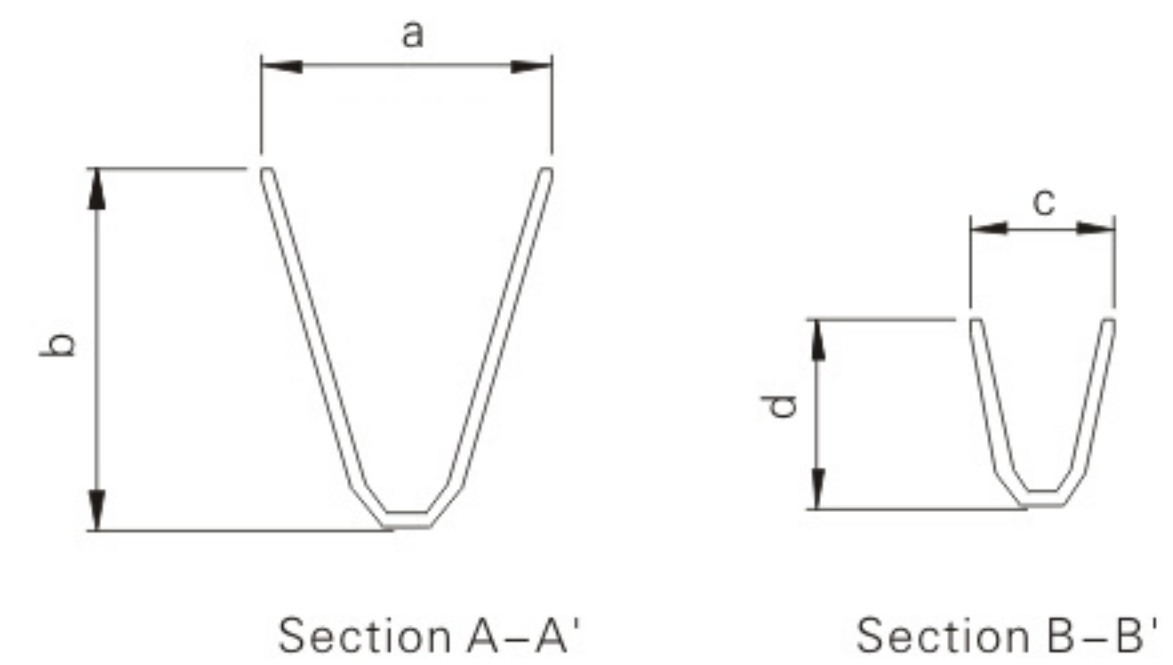
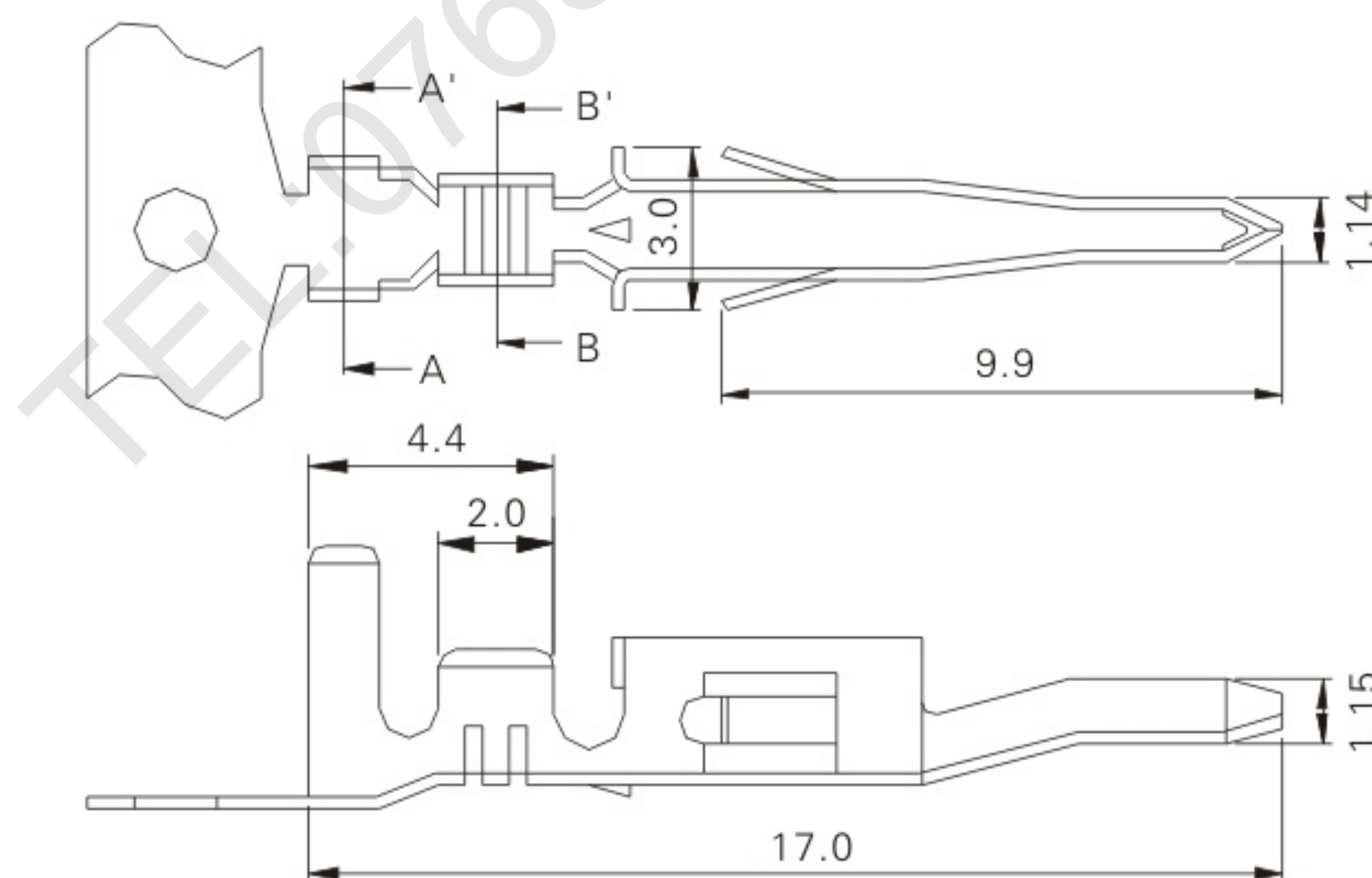
Unit: mm

Part No.	Wire Range	Insulation O.D.	Material	Finish	Qty/reel
5016T1	AWG#18-#22	Φ2.8mm max	Brass	Tin-plated	4,000
5016T2	AWG#22-#24	Φ2.0mm max	Brass	Tin-plated	7,000

5015-T (4.20mm pitch crimp terminal)

Reference Informations:

- *Thickness: 0.2mm
- *Mat'l: Brass Tin Plated
- *Mates With: 5015H series Housing



Part No.	A	B	C	D
5015T1	3.7	4.6	2.0	2.4
5015T2	2.8	3.4	1.8	2.45

Ordering Information & Specifications

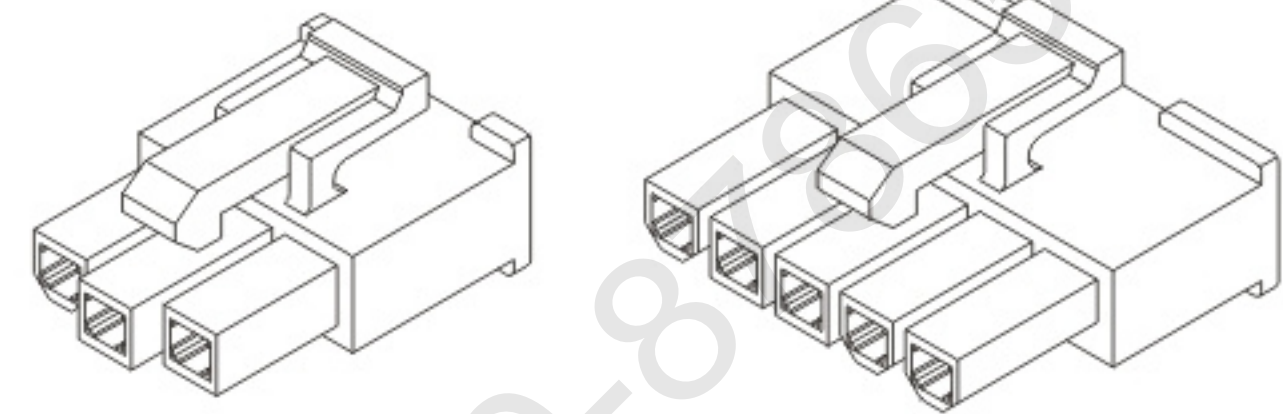
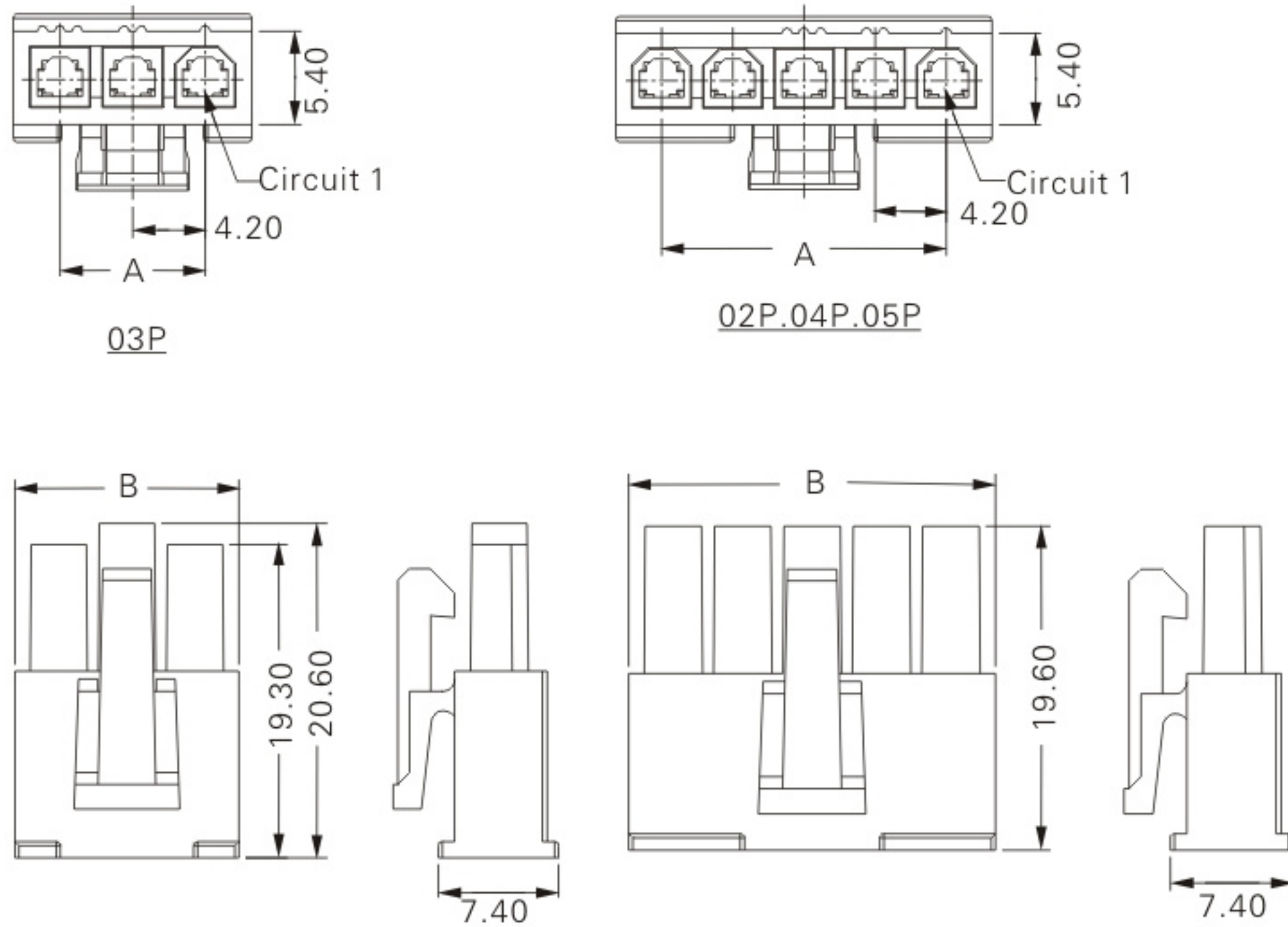
Unit: mm

Part No.	Wire Range	Insulation O.D.	Material	Finish	Qty/reel
5015T1	AWG#18-#22	Φ2.8mm max	Brass	Tin-plated	4,000
5015T2	AWG#22-#24	Φ2.0mm max	Brass	Tin-plated	5,000

5016H-1xNP (4.20mm pitch single row housing)

Reference Informations:

- *Material:Nylon 66,UL94V-0/2
- *Suitable 5016-T series Terminal
- *Mates with 5015H series single row Housing



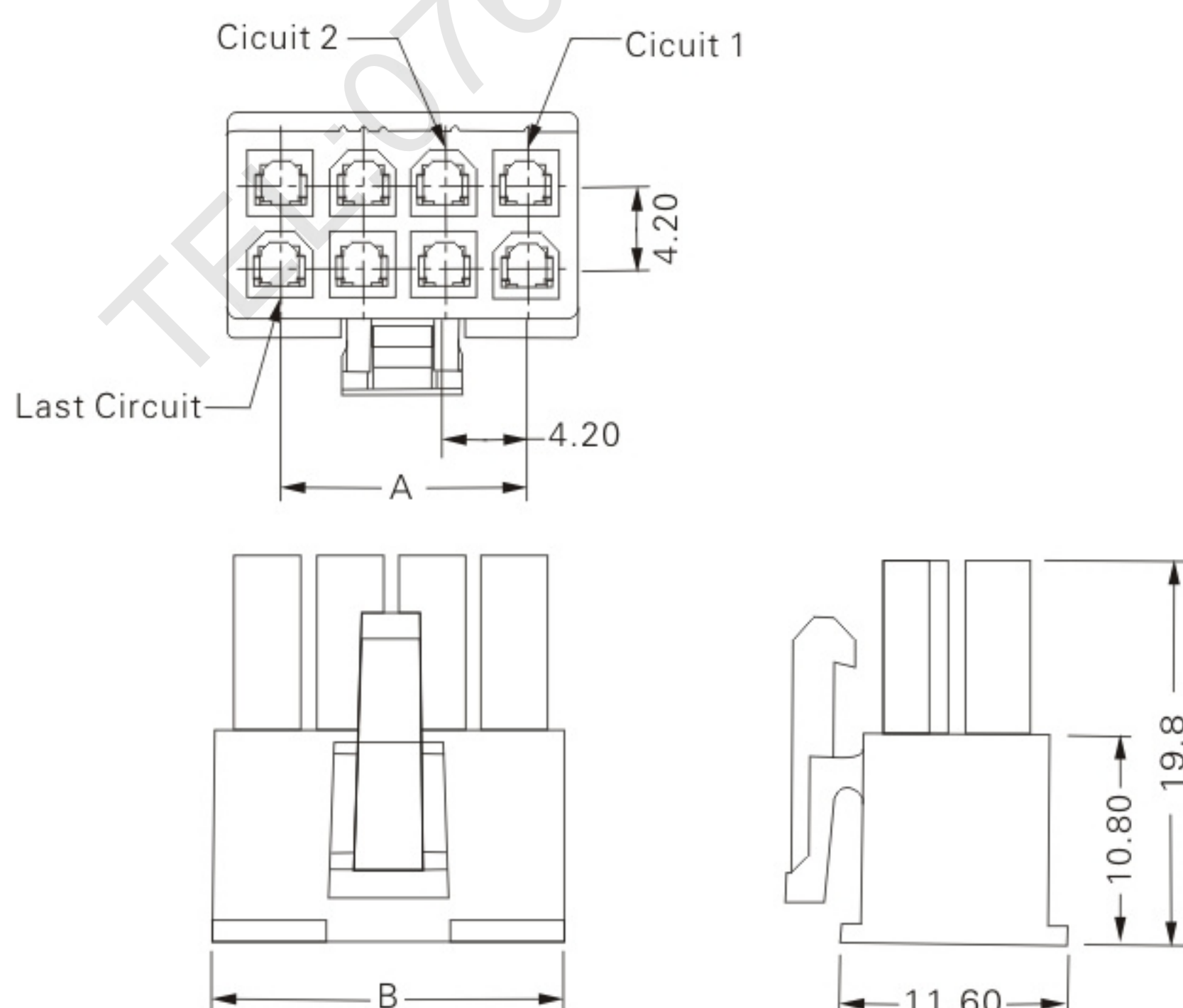
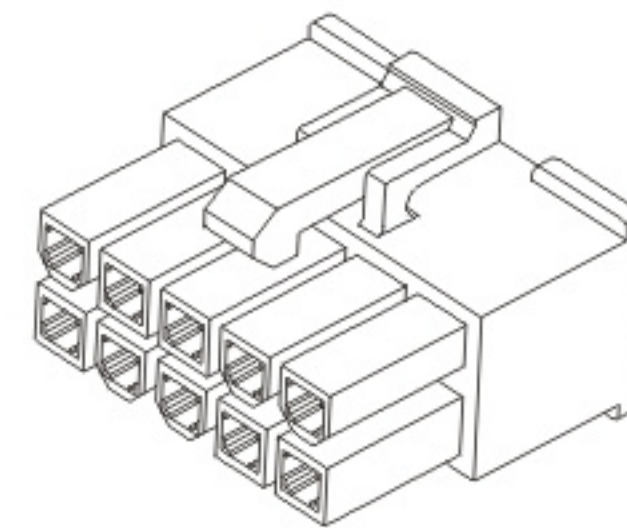
Ordering Information & Dimensions

Circuits	Part No.	DIM.(mm)	
		A	B
02	5016H-1x02	4.20	9.60
03	5016H-1x03	8.40	13.80
04	5016H-1x04	12.60	18.00
05	5016H-1x05	16.80	22.20

5016H-2XNP (4.20mm pitch dual row housing)

Reference Informations:

- *Material:Nylon 66, UL94V-0/2
- *Suitable 5016-T series Terminal
- *Mates with 5015H series dual row Housing



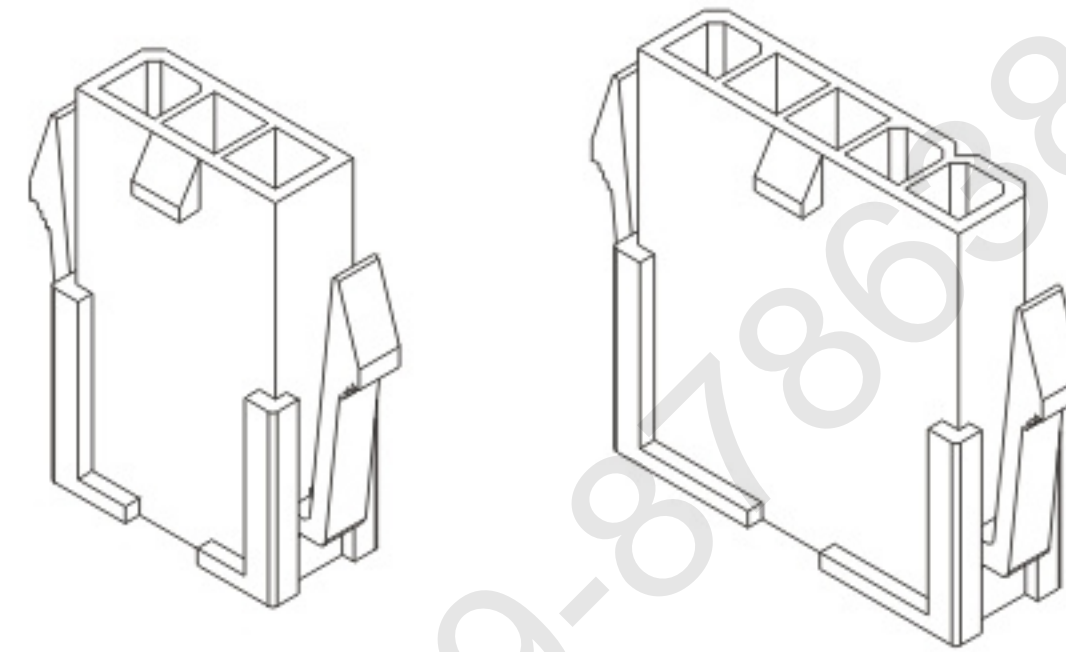
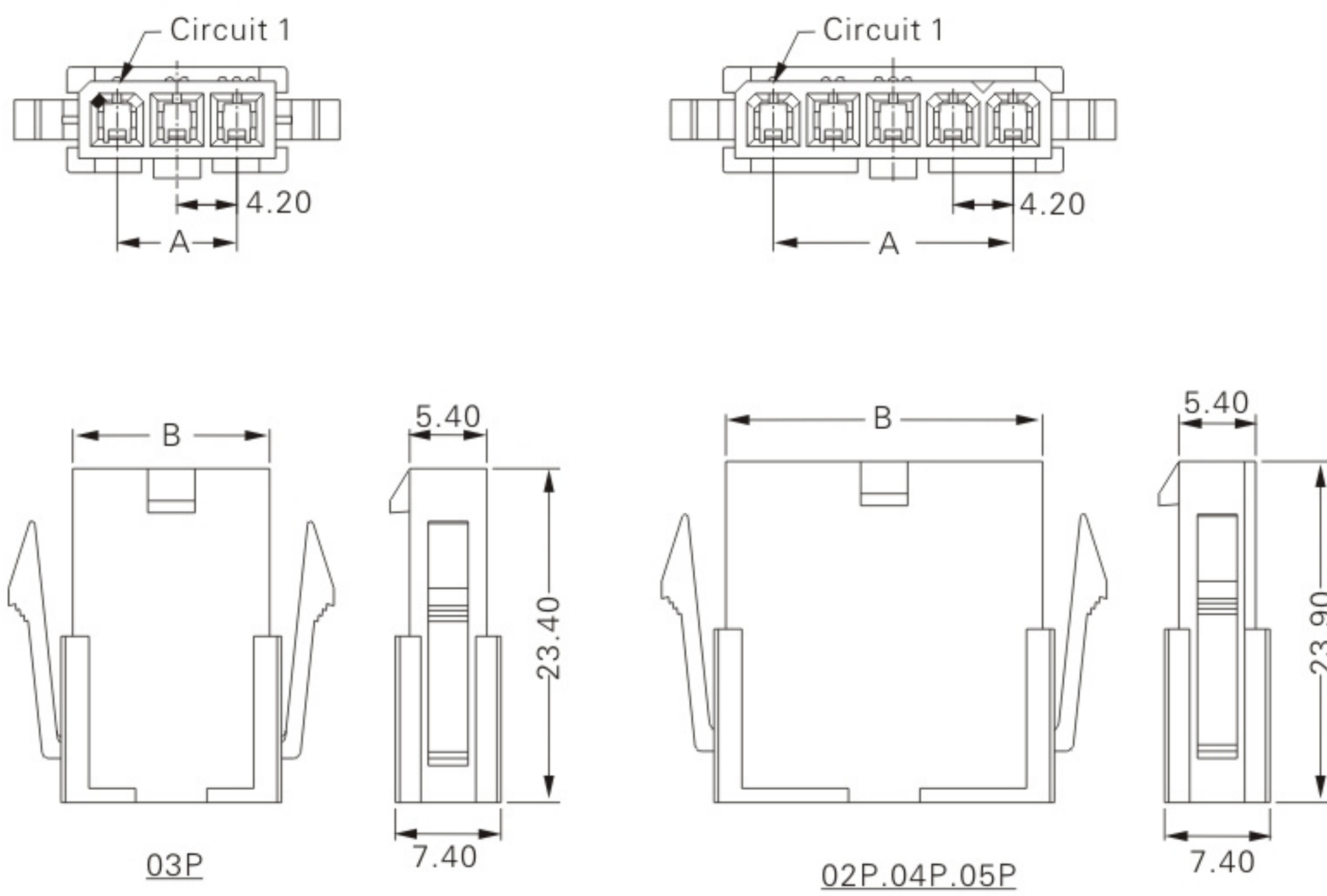
Ordering Information & Dimensions

Circuits	Part No.	DIM.(mm)	
		A	B
02	5016H-2X01P	---	5.70
04	5016H-2X02P	4.20	9.60
06	5016H-2X03P	8.40	13.80
08	5016H-2X04P	12.60	18.00
10	5016H-2X05P	16.80	22.20
12	5016H-2X06P	21.00	26.40
14	5016H-2X07P	25.20	30.60
16	5016H-2X08P	29.40	34.80
18	5016H-2X09P	33.60	39.00
20	5016H-2X10P	37.80	43.20
22	5016H-2X11P	42.00	47.40
24	5016H-2X12P	46.20	51.60

5015H-1xNP (4.20mm pitch single row housing)

Reference Informations:

- *Material:Nylon 66,UL94V-0/2
- *Suitable 5015-T series Terminal
- *Mates with 5016H series single row Housing



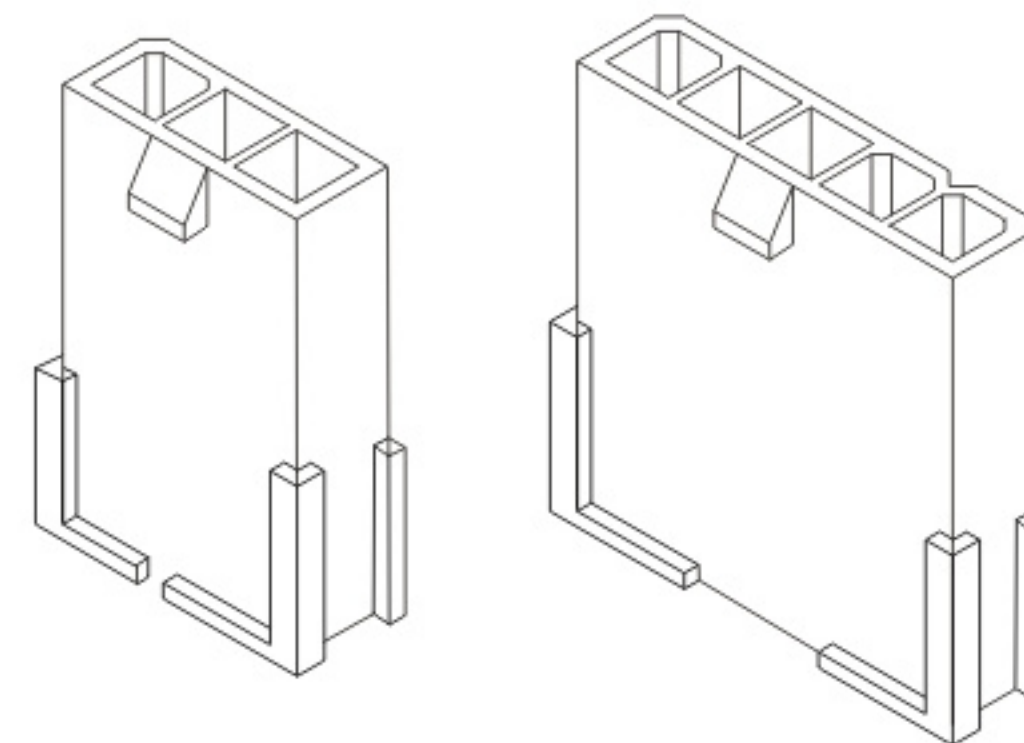
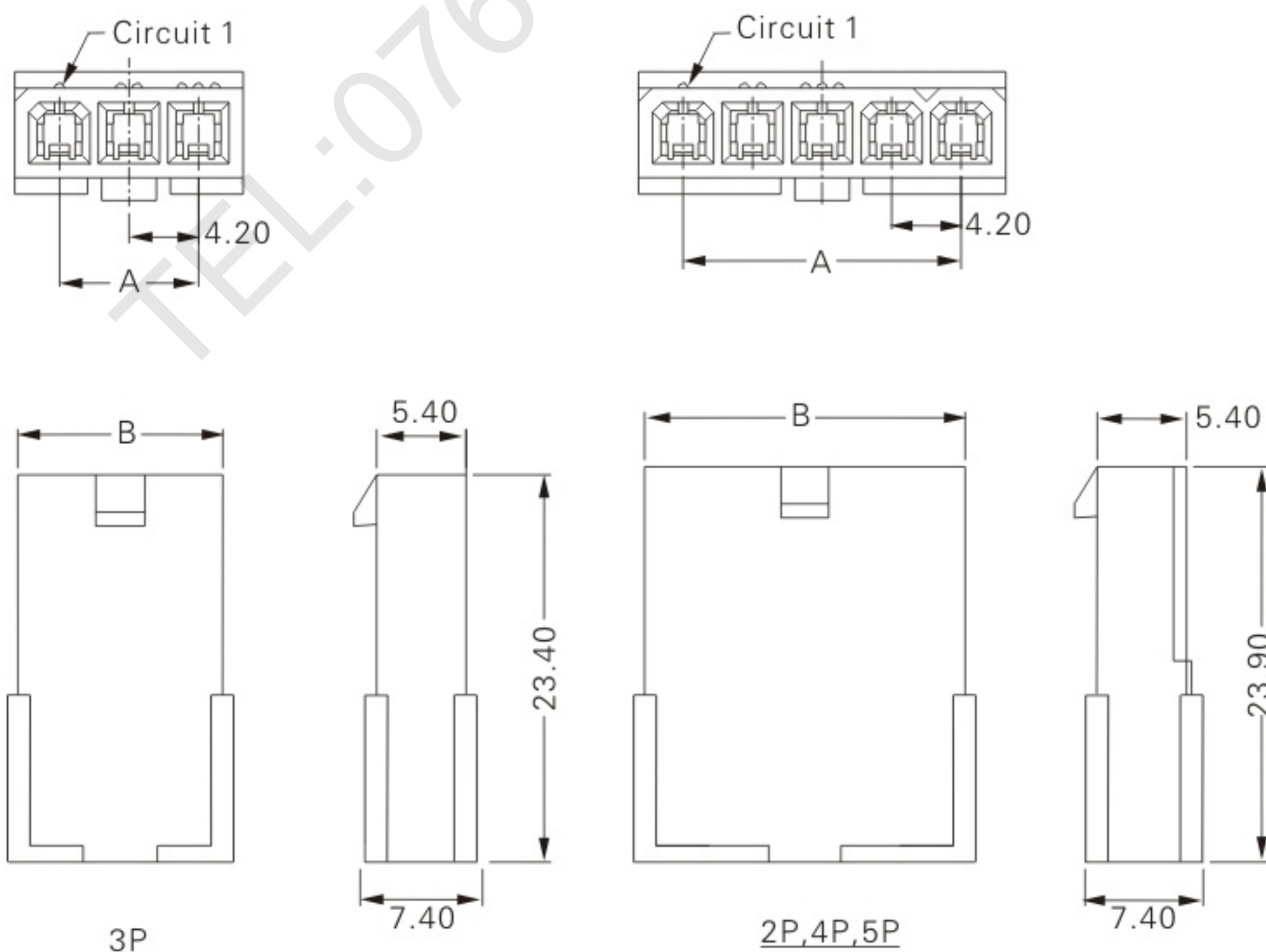
Ordering Information & Dimensions

Circuits	Part No.	DIM.(mm)	
		A	B
02	5015H-1x02	4.20	9.60
03	5015H-1x03	8.40	13.80
04	5015H-1x04	12.60	18.00
05	5015H-1x05	16.80	22.20

5015H-NP (4.20mm pitch single row housing)

Reference Informations:

- *Material:Nylon 66,UL94V-0/2
- *Suitable 5015-T series Terminal
- *Mates with 5016H series single row Housing



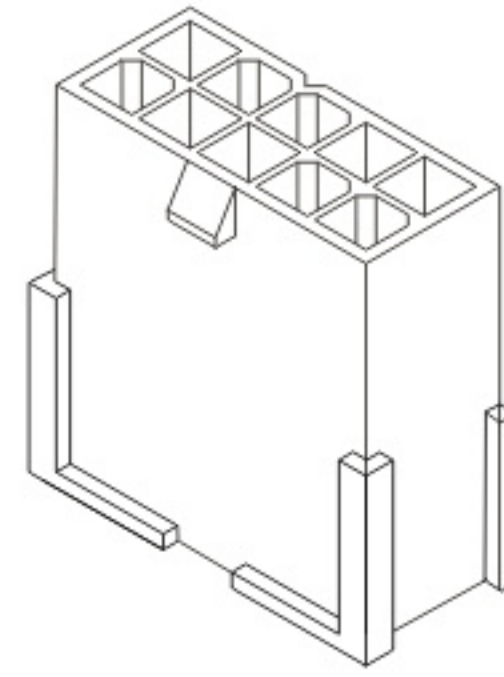
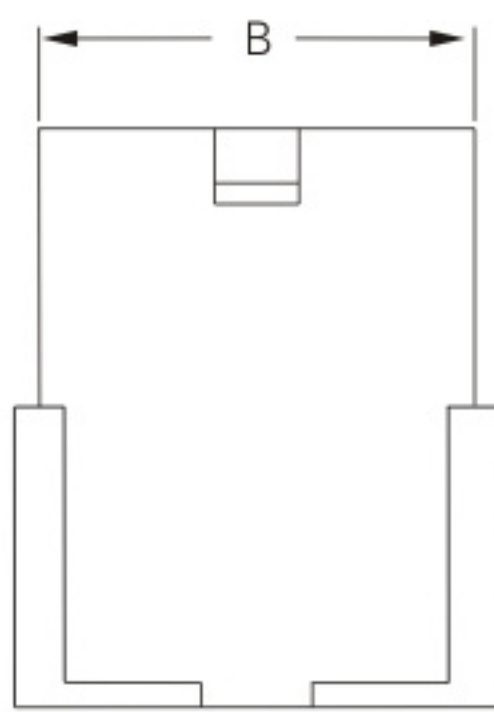
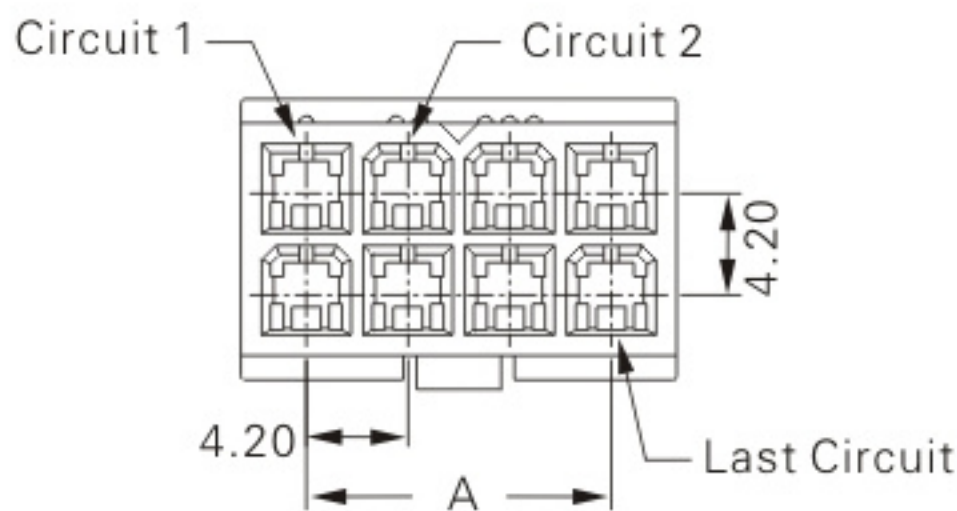
Ordering Information & Dimensions

Circuits	Part No.	DIM.(mm)	
		A	B
02	5015H-02P	4.20	9.60
03	5015H-03P	8.40	13.80
04	5015H-04P	12.60	18.00
05	5015H-05P	16.80	22.20

5015H-2XNP (4.20mm pitch dual row housing)

Reference Informations:

- *Material:Nylon 66,UL94V-0/2
- *Suitable 5015-T series Terminal
- *Mates with 5016H series dual row Housing



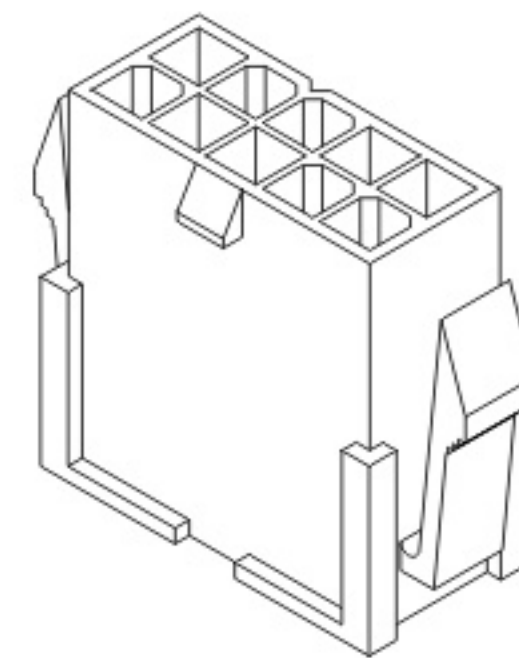
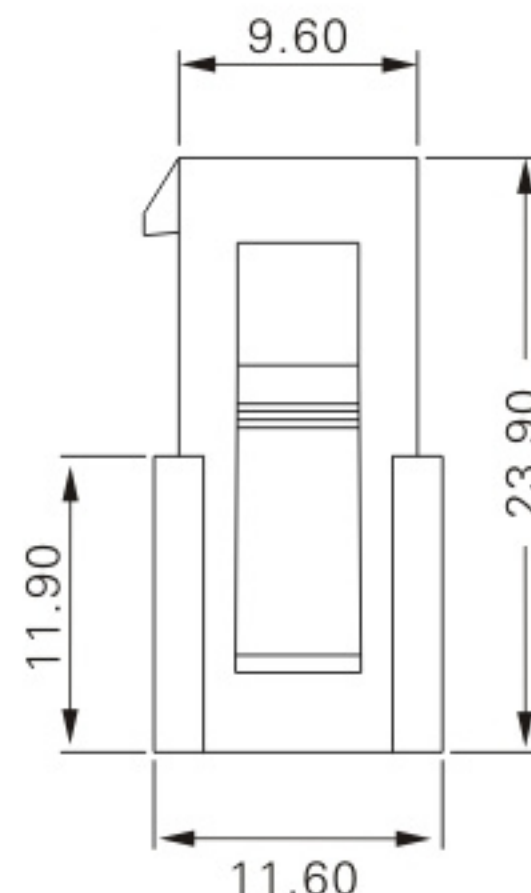
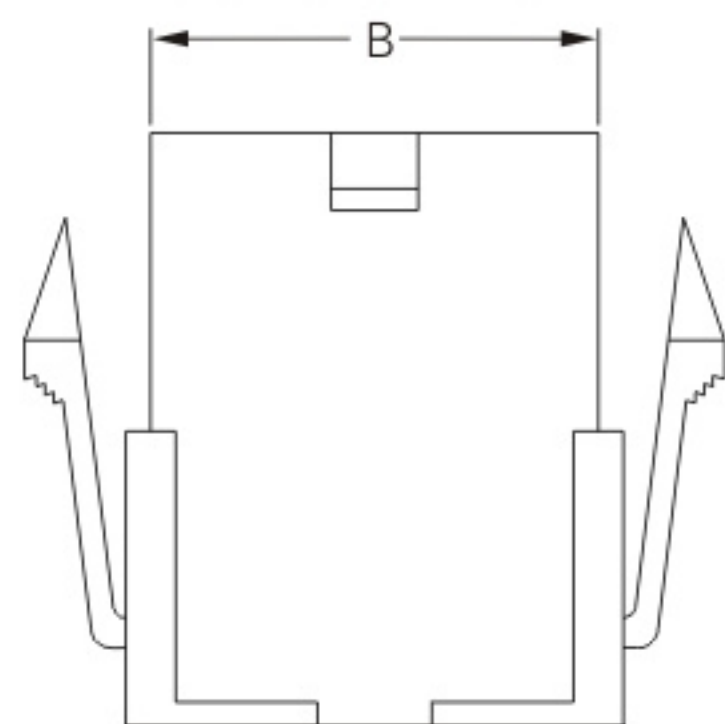
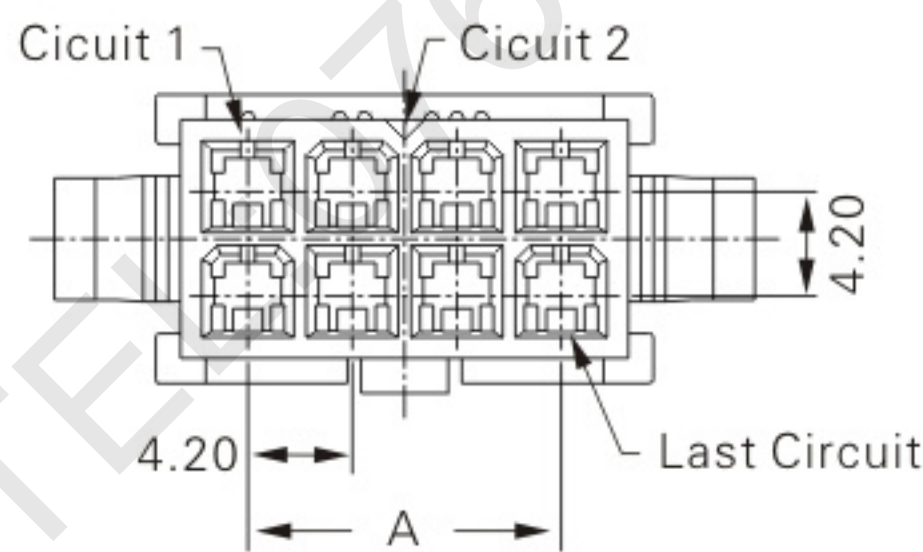
Ordering Information & Dimensions

Circuits	Part No.	DIM.(mm)	
		A	B
02	5015H-2X01P	---	5.40
04	5015H-2X02P	4.20	9.60
06	5015H-2X03P	8.40	13.80
08	5015H-2X04P	12.60	18.00
10	5015H-2X05P	16.80	22.20
12	5015H-2X06P	21.00	26.40
14	5015H-2X07P	25.20	30.60
16	5015H-2X08P	29.40	34.80
18	5015H-2X09P	33.60	39.00
20	5015H-2X10P	37.80	43.20
22	5015H-2X11P	42.00	47.40
24	5015H-2X12P	46.20	51.60

5015H-2XNP-E (4.20mm pitch dual row housing)

Reference Informations:

- *Material:Nylon 66,UL94V-0/2
- *Suitable 5015-T series Terminal
- *Mates with 5016H series dual row Housing



Ordering Information & Dimensions

Circuits	Part No.	DIM.(mm)	
		A	B
02	5015H-2X01P-E	---	5.50
04	5015H-2X02P-E	4.20	9.70
06	5015H-2X03P-E	8.40	13.90
08	5015H-2X04P-E	12.60	18.10
10	5015H-2X05P-E	16.80	22.30
12	5015H-2X06P-E	21.00	26.50
14	5015H-2X07P-E	25.20	30.70
16	5015H-2X08P-E	29.40	34.90
18	5015H-2X09P-E	33.60	39.10
20	5015H-2X10P-E	37.80	43.30
22	5015H-2X11P-E	42.00	47.50
24	5015H-2X12P-E	46.20	51.70