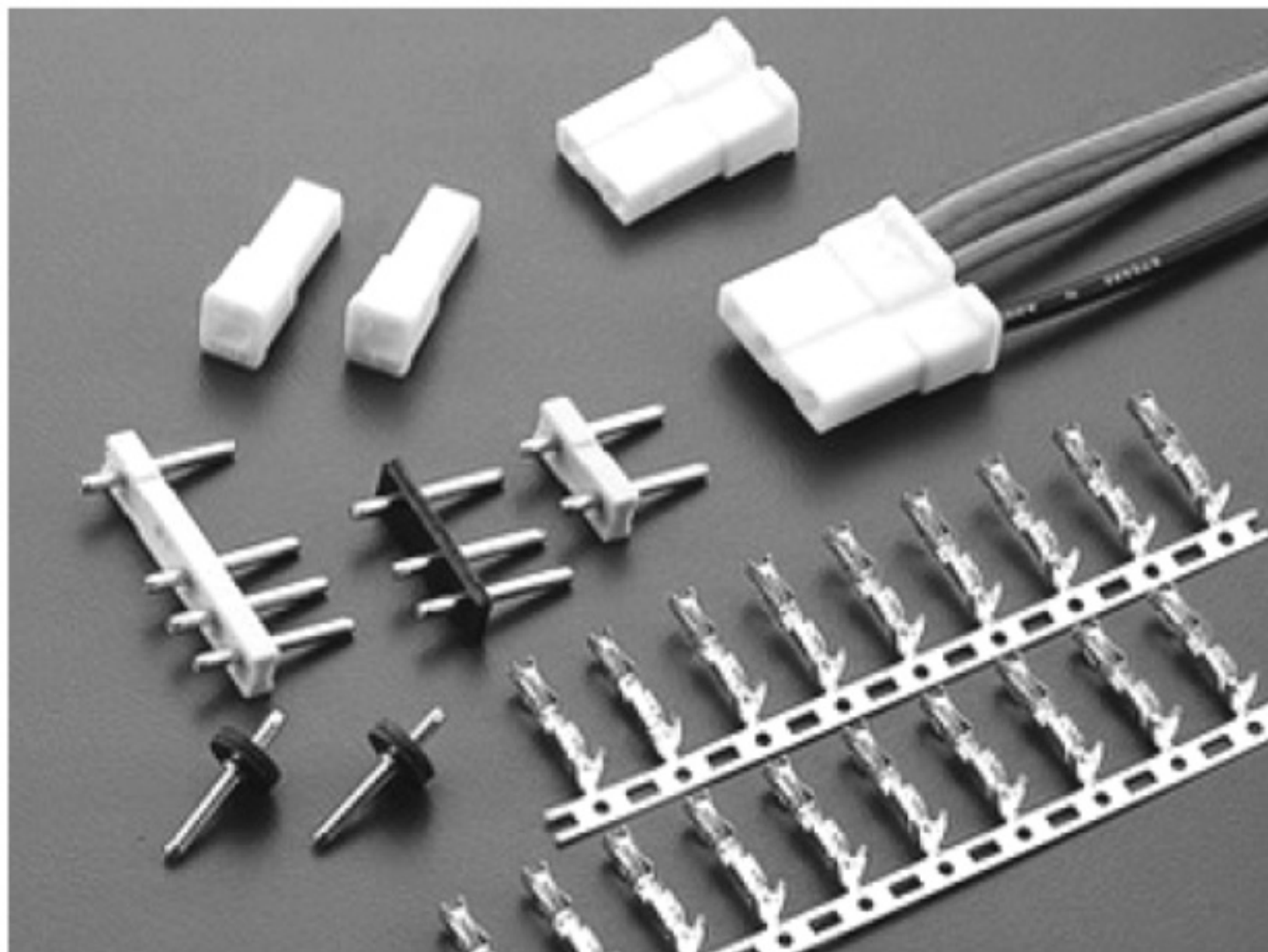


# 7550 SERIES

7.5mm PITCH WIRE TO BOARD CONNECTOR



## Specifications

Current rating: 5A AC,DC

Voltage rating: 250V AC,DC

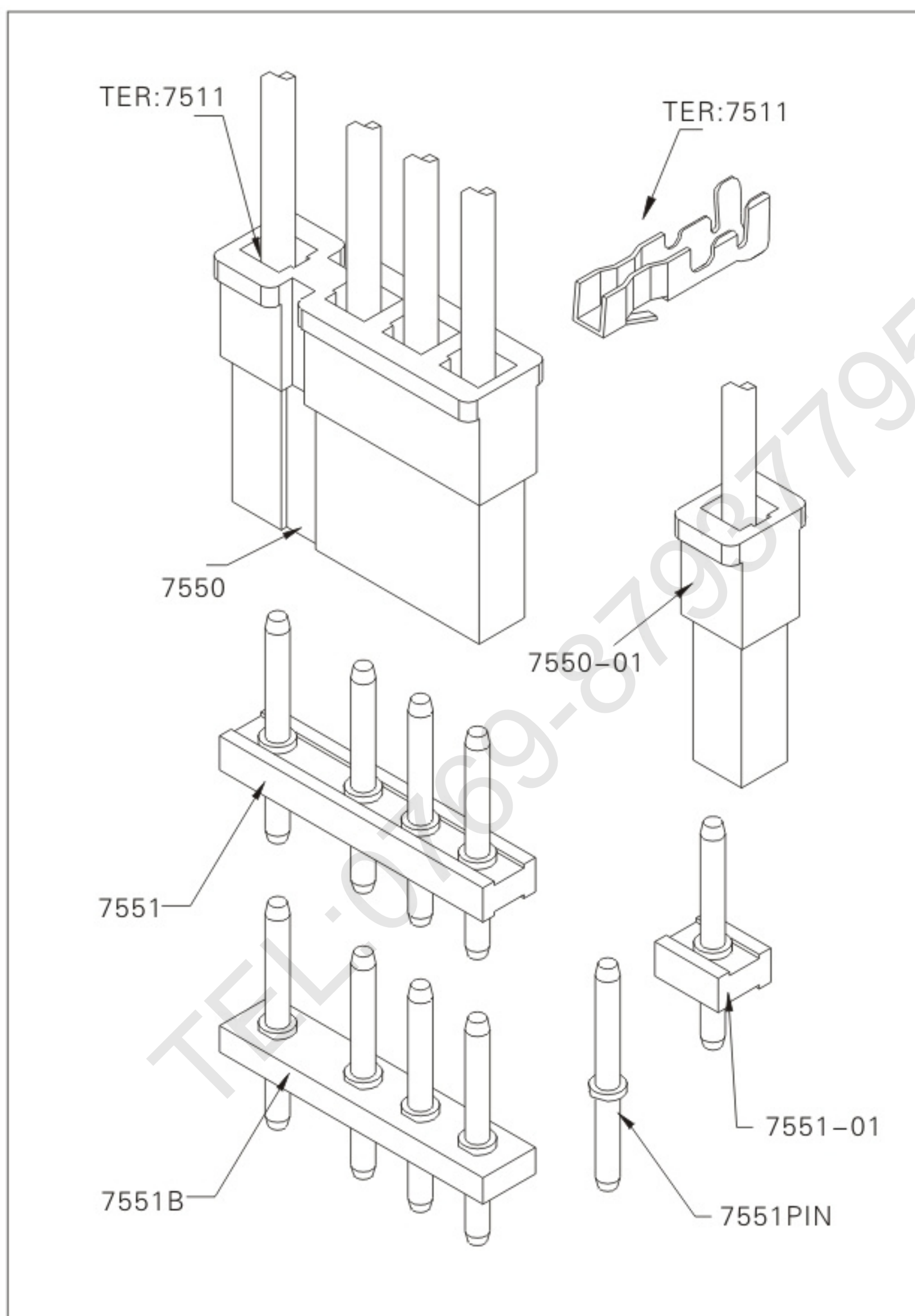
Temperature range: -25°C to +85°C  
(including temperature rise)

Contact resistance: Initial value/ 10m  $\Omega$  Max.  
After environmental testing/20m  $\Omega$  Max.

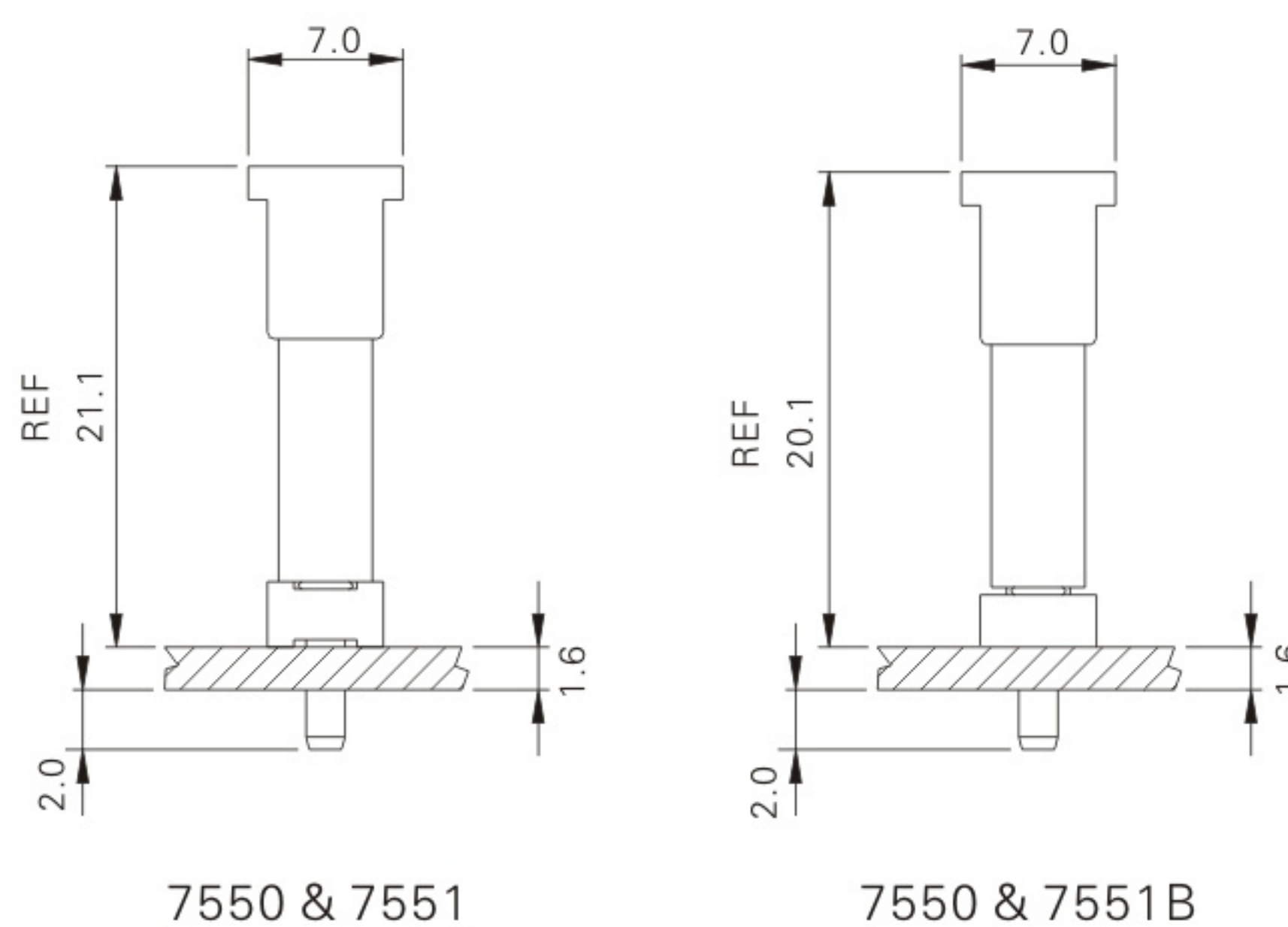
Insulation resistance: 500 M  $\Omega$  Min.

Withstanding voltage: 1000 V AC/minute

Applicable wire: AWG#18-#22



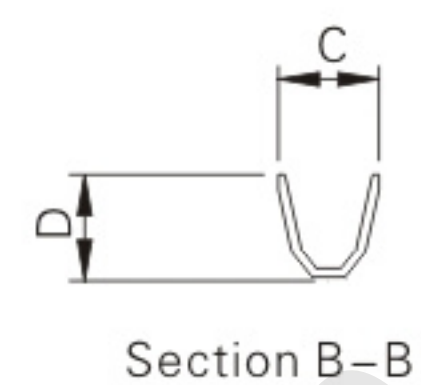
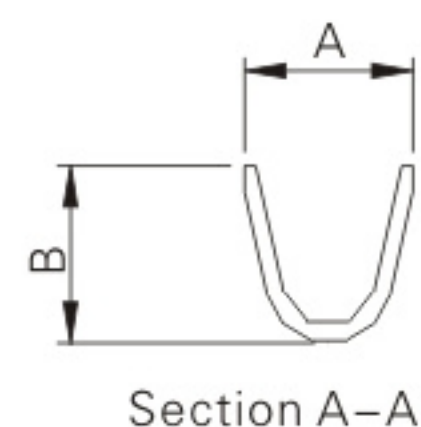
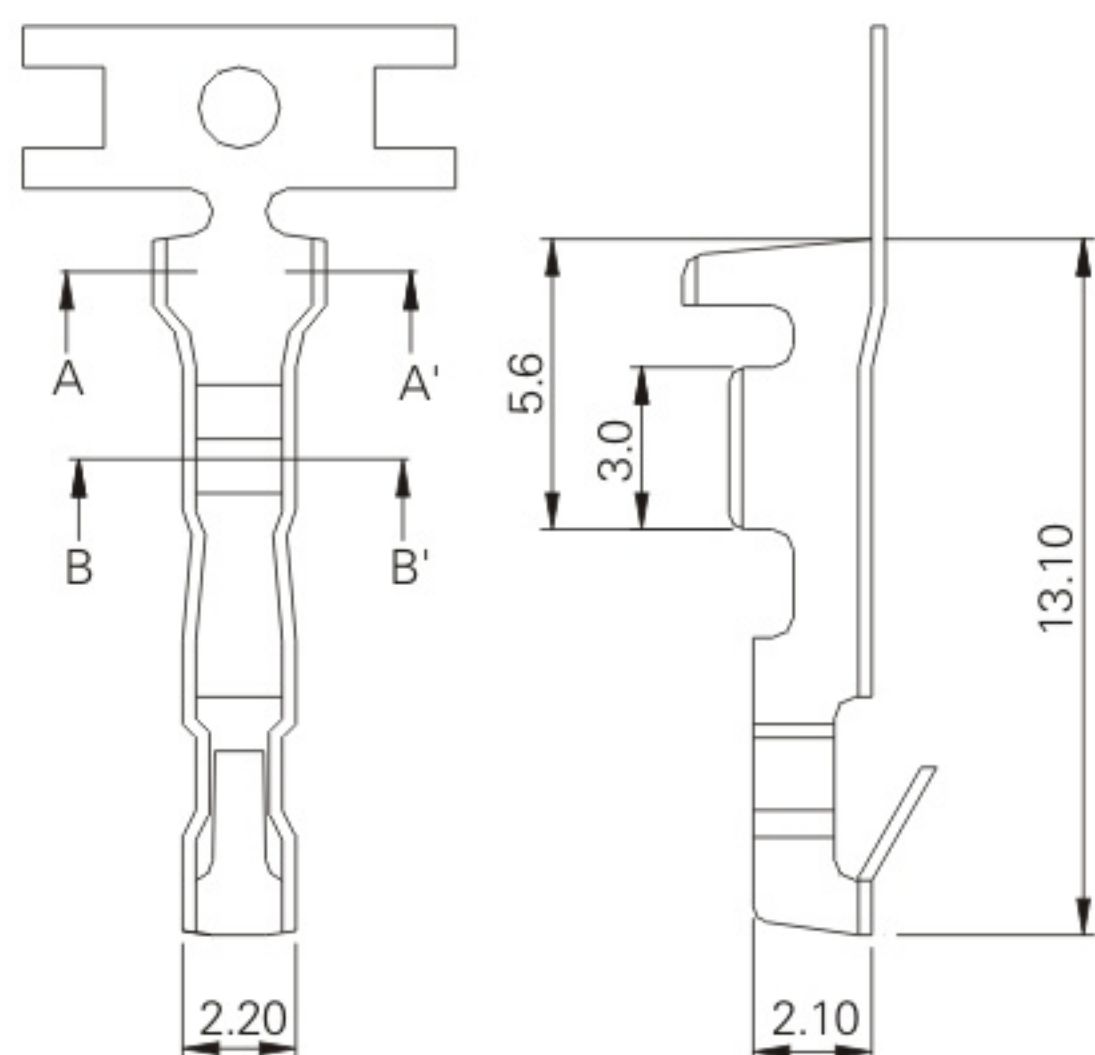
## Assembly layout



# 7511 7513 (7.5x5mm pitch crimp terminal)

## Reference Informations:

- \*Thickness: 0.25mm
- \*Mat'l: Brass or Phosphor Bronze Tin Plated
- \*Mates With: 7550 series Housing
- \*Accepts With: 7551 series Wafer



	A	B	C	D
7511	3.0	3.60	2.2	2.3
7513	4.0	4.2	2.3	2.3

## Ordering Information & Specifications

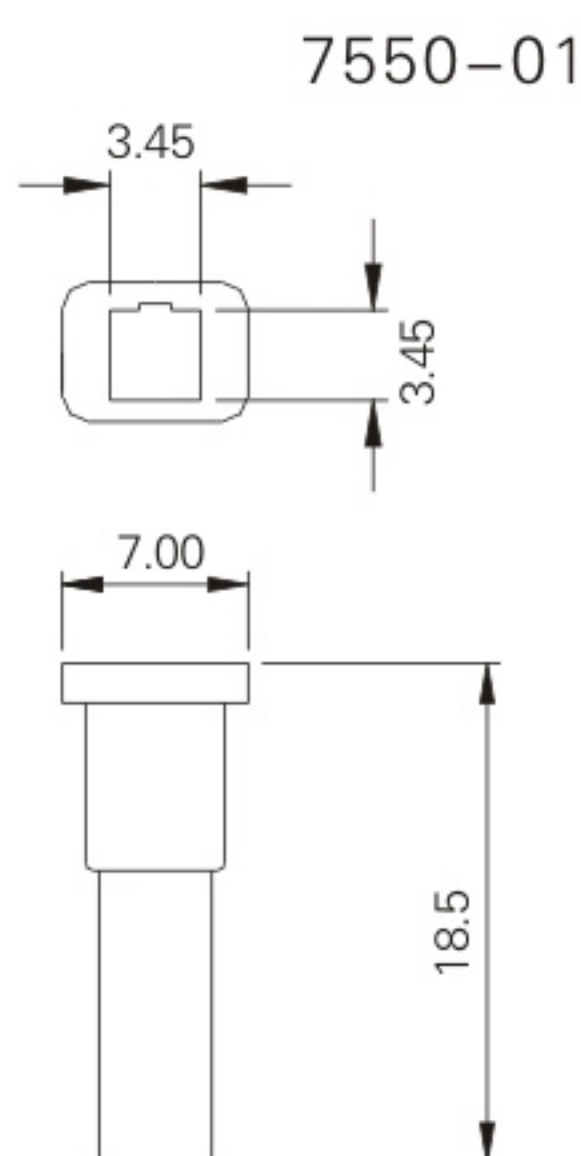
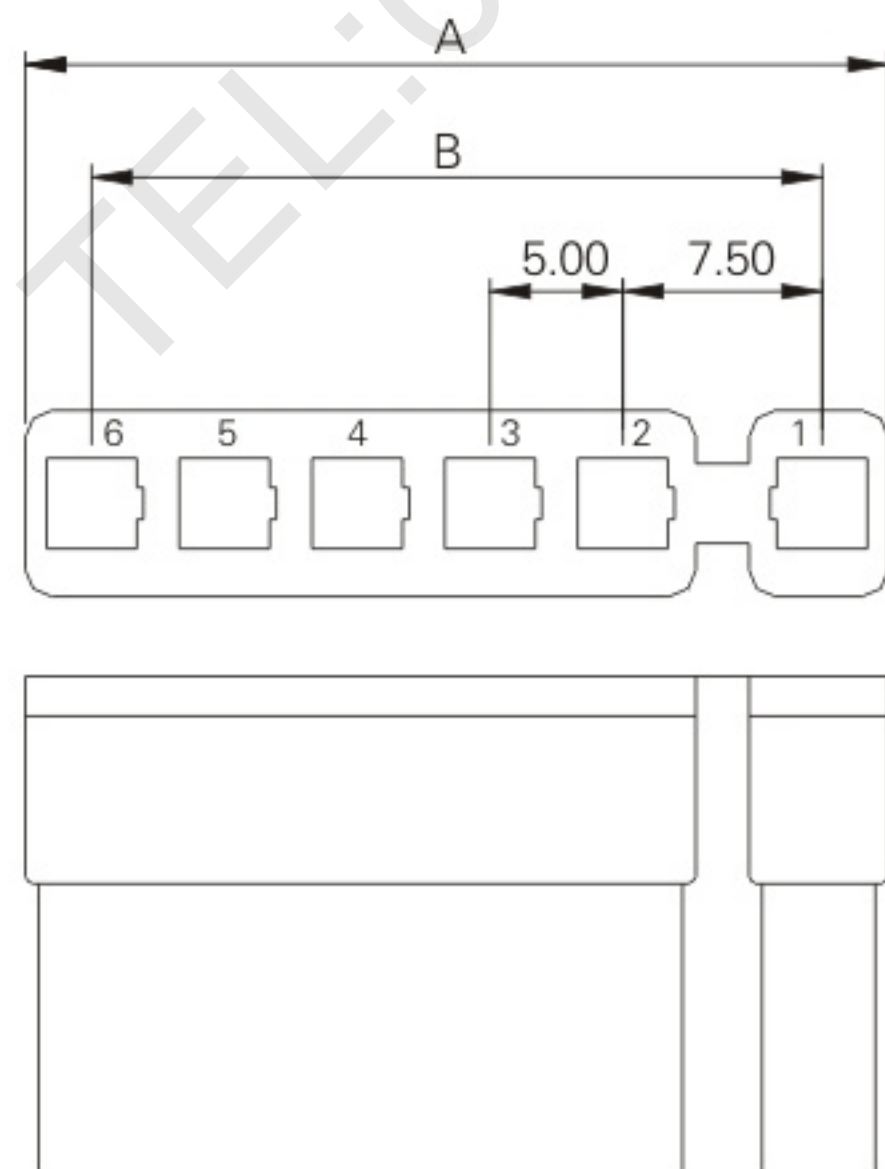
Unit: mm

Part No.	Wire Range	Insulation O.D.	Material	Finish	Qty/reel
7511-T	AWG#18-#22	Φ2.45mm max	Brass	Tin-plated	8,000
7511-P	AWG#18-#22	Φ2.45mm max	Phosphor bronze	Tin-plated	8,000
7513-P	AWG#12-#16	Φ2.8mm max	Phosphor bronze	Tin-plated	8,000

# 7550 (7.5x5mm pitch crimp housing)

## Reference Informations:

- \*Mat'l: Nylon 66 UL94V-0
- \*Mates With: 7511 series Terminal
- \*Accepts With: 7551 series Wafer
- \*Accepts With: 1.55(0.61") Round Pin



## Ordering Information & Dimensions

Circuits	Part No.	DIM.(mm)	
		A	B
01	7550-01	6.1	
02	7550-02	12.5	7.5
03	7550-03	17.5	12.5
04	7550-04	22.5	17.5
05	7550-05	27.5	22.5
06	7550-06	32.5	27.5

# 7551 7551B (7.5x5mm pitch 180° wafer)

## Reference Informations:

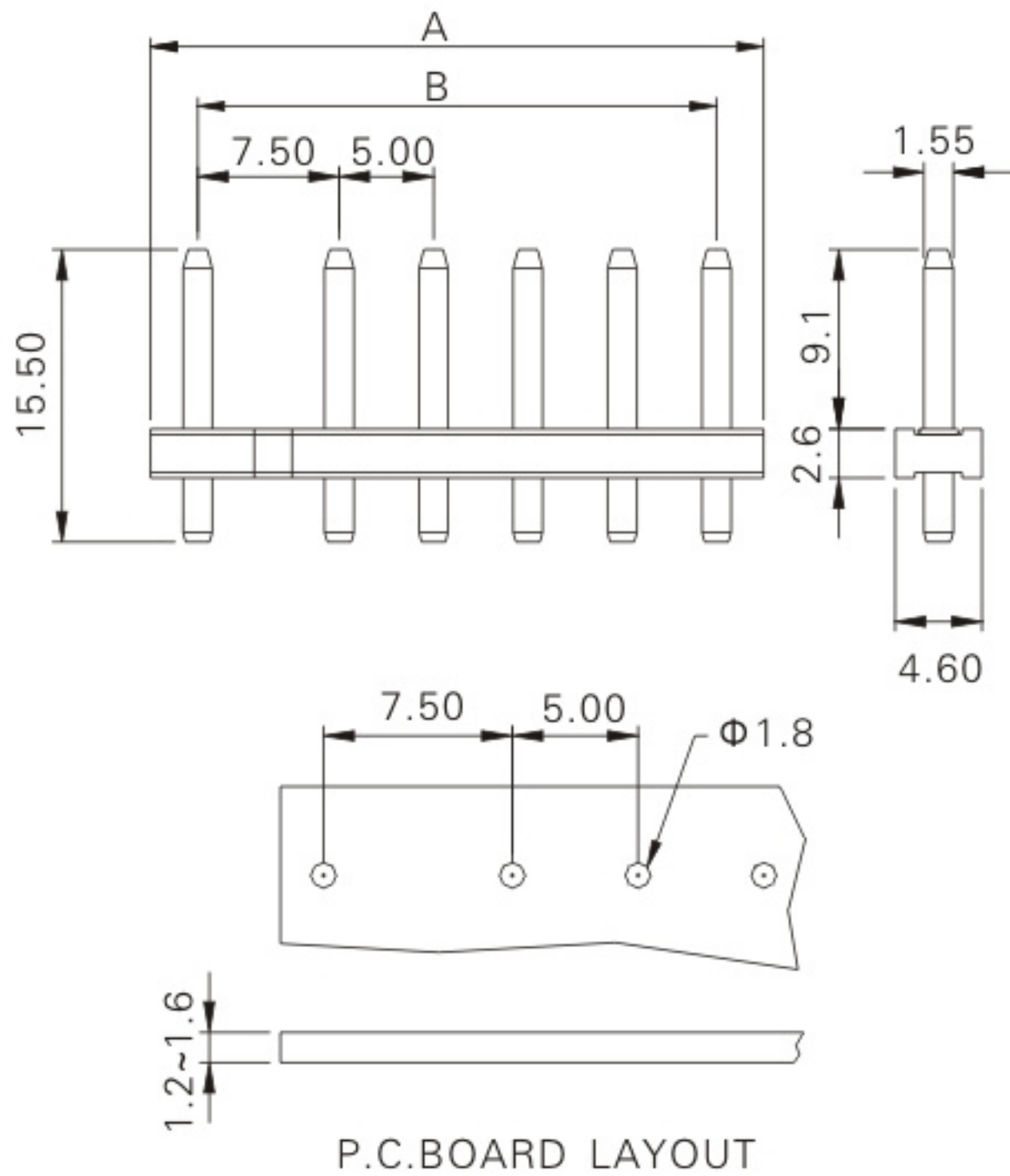
7551

\*Mat'l: Body: Nylon 66 UL94V-0

Pins: Brass Tin Plated

\*Mates With: 7550 series Housing

\*Accepts With: 7511 series Terminal



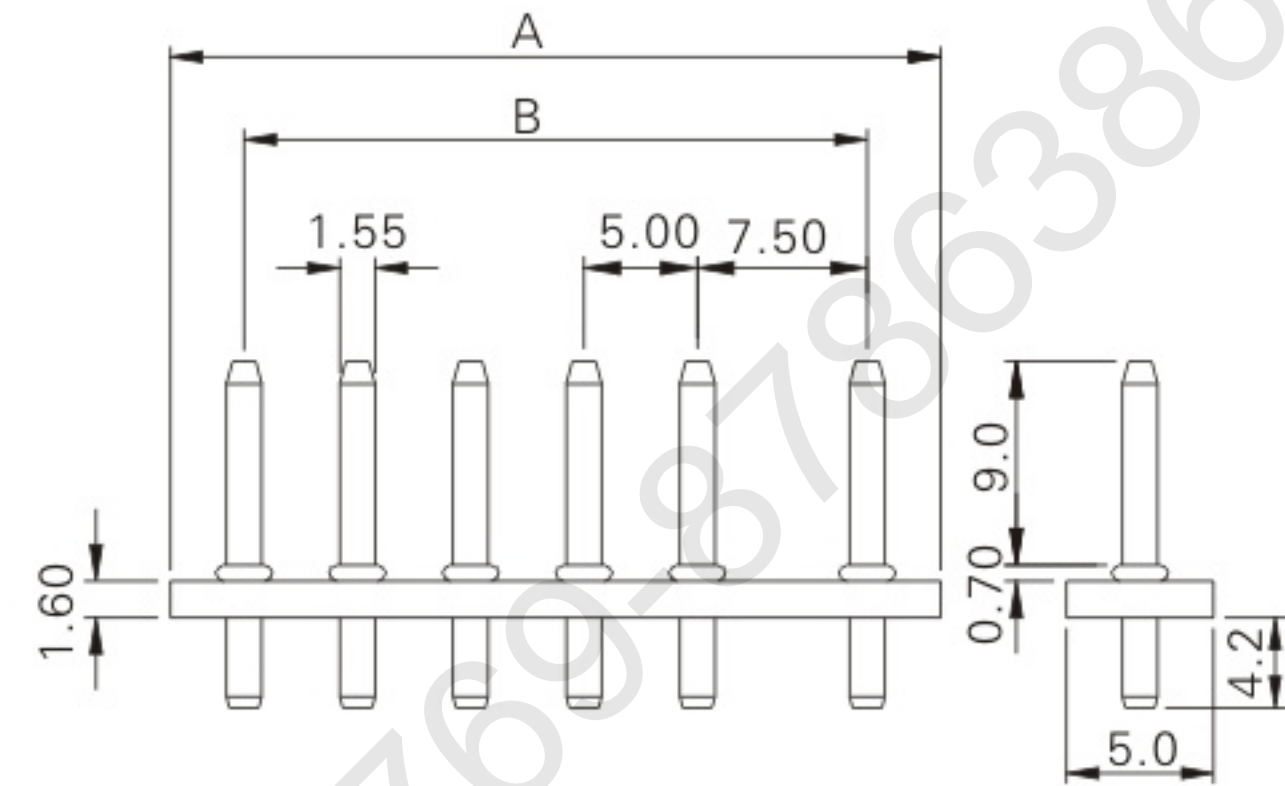
7551B

\*Mat'l: Body: Bakelite

Pins: Brass Tin Plated

\*Mates With: 7550 series Housing

\*Accepts With: 7511 series Terminal



## Ordering Information & Dimensions

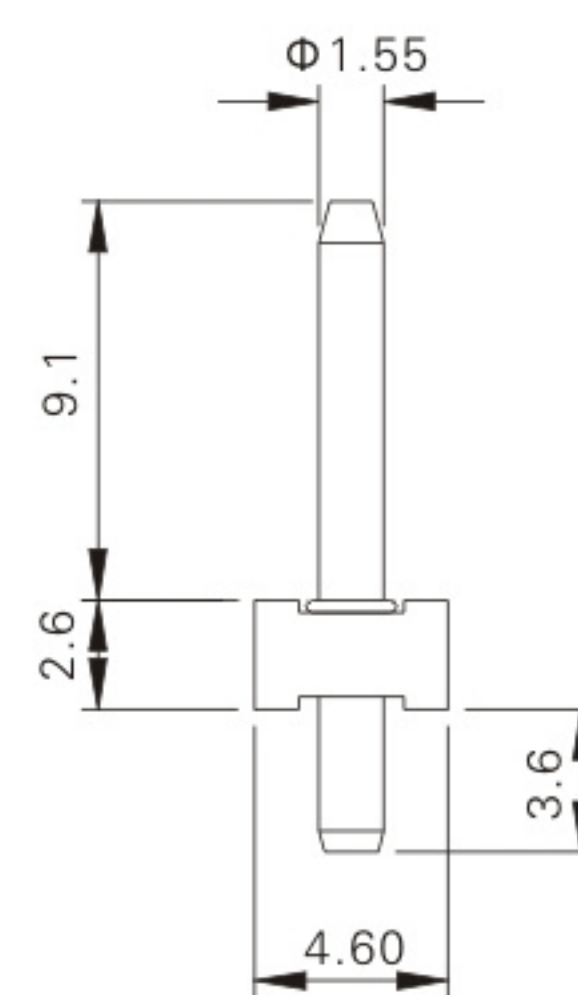
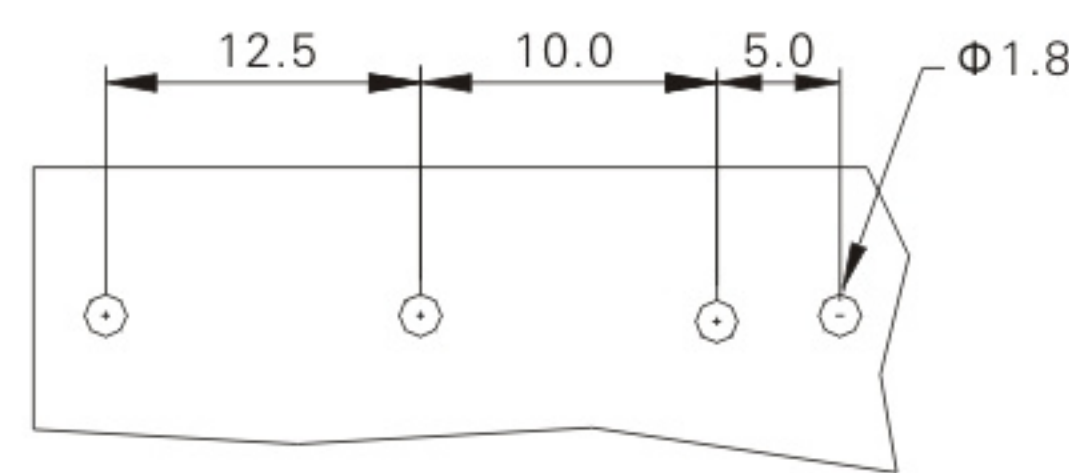
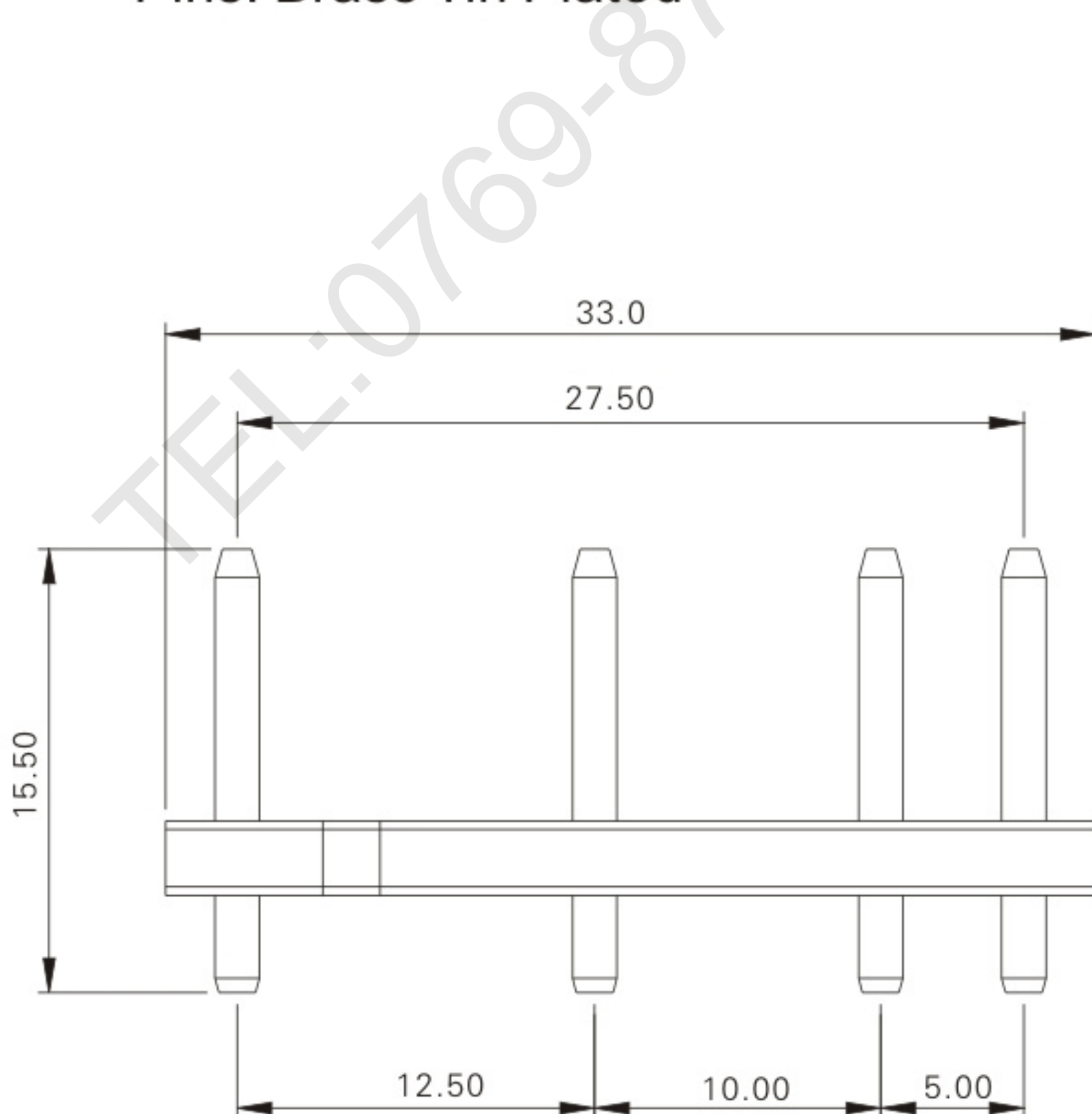
Circuits	Part No.	DIM.(mm)	
		A	B
01	7551-01	5.5	
02	7551-02	13	7.5
03	7551-03	18	12.5
04	7551-04	23	17.5
05	7551-05	28	22.5
06	7551-06	33	27.5

# 7551-06N2,4 (12.5x10x5mm pitch 180° wafer)

## Reference Informations:

\*Mat'l: Body: Nylon 66 UL94V-0

Pins: Brass Tin Plated



7551-单 PIN

