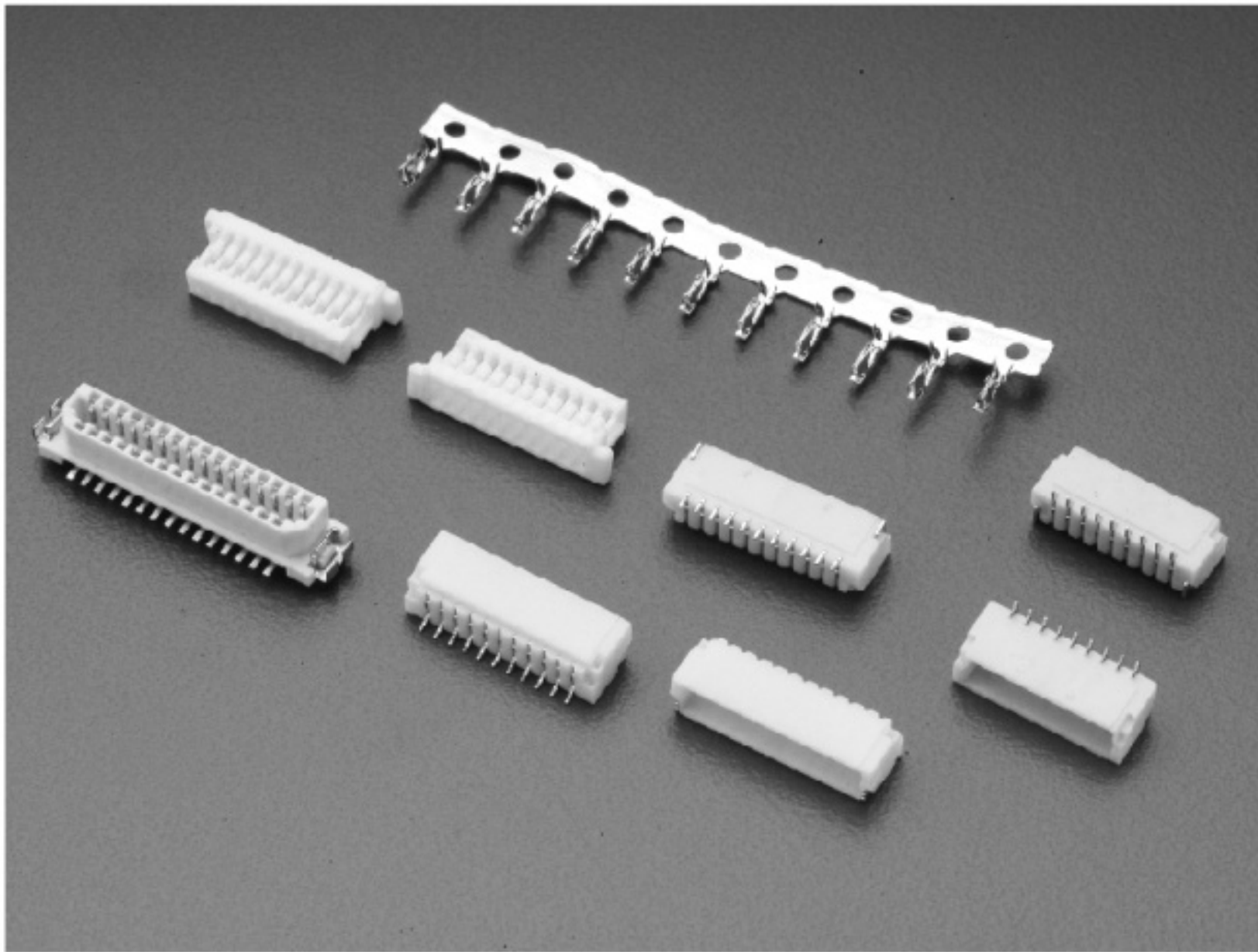


E001H(單排/雙排) SERIES

1.00mm PITCH WIRE TO BOARD CONNECTOR



Specifications

Current rating: 1A AC,DC

Voltage rating: 50V AC,DC

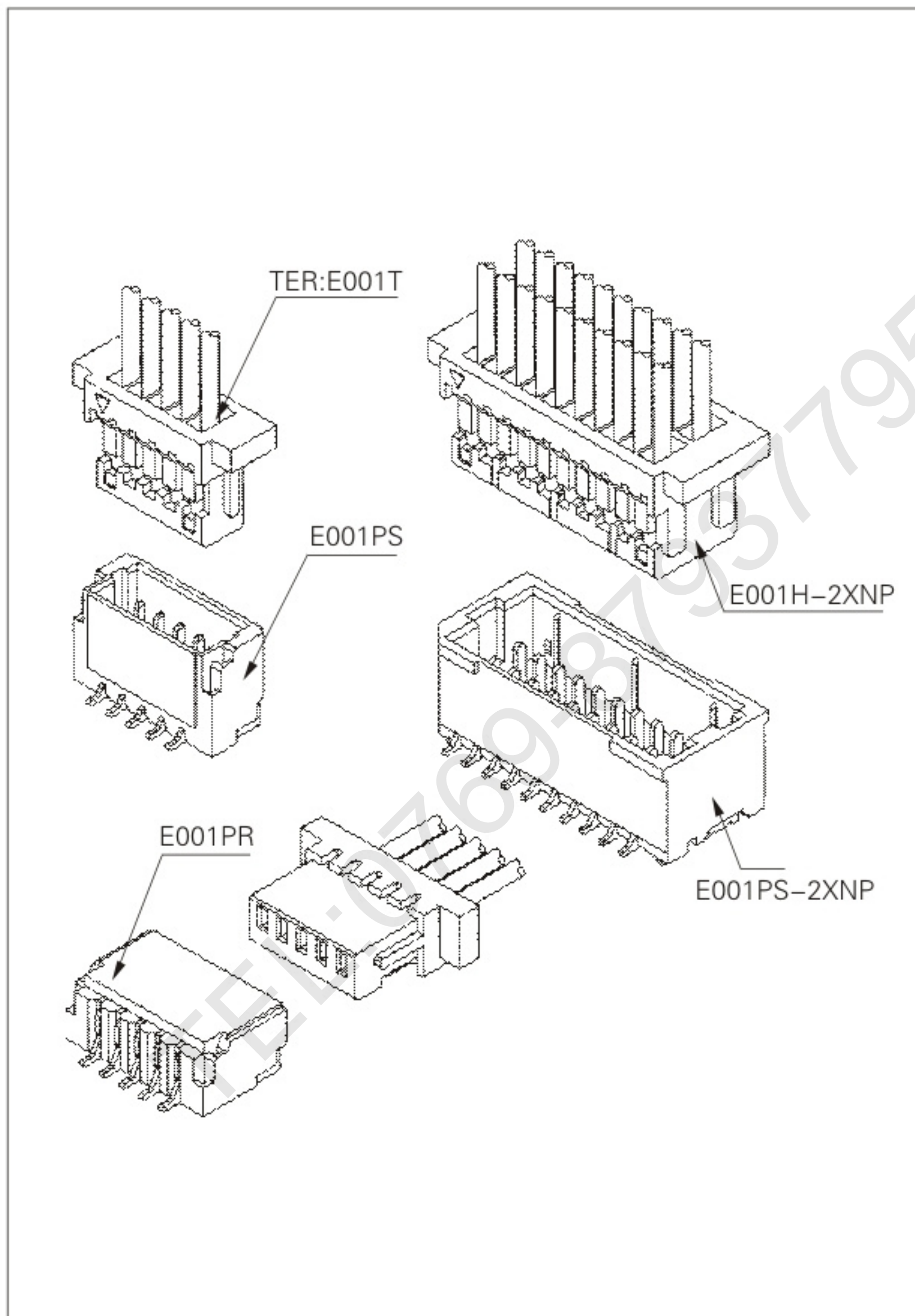
Temperature range: -25°C~+85°C

Contact resistance: 20mΩ Max.

Insulation resistance: 100MΩ Min.

Withstanding voltage: 500V AC/minute

Applicable wire: AWG#28-#32



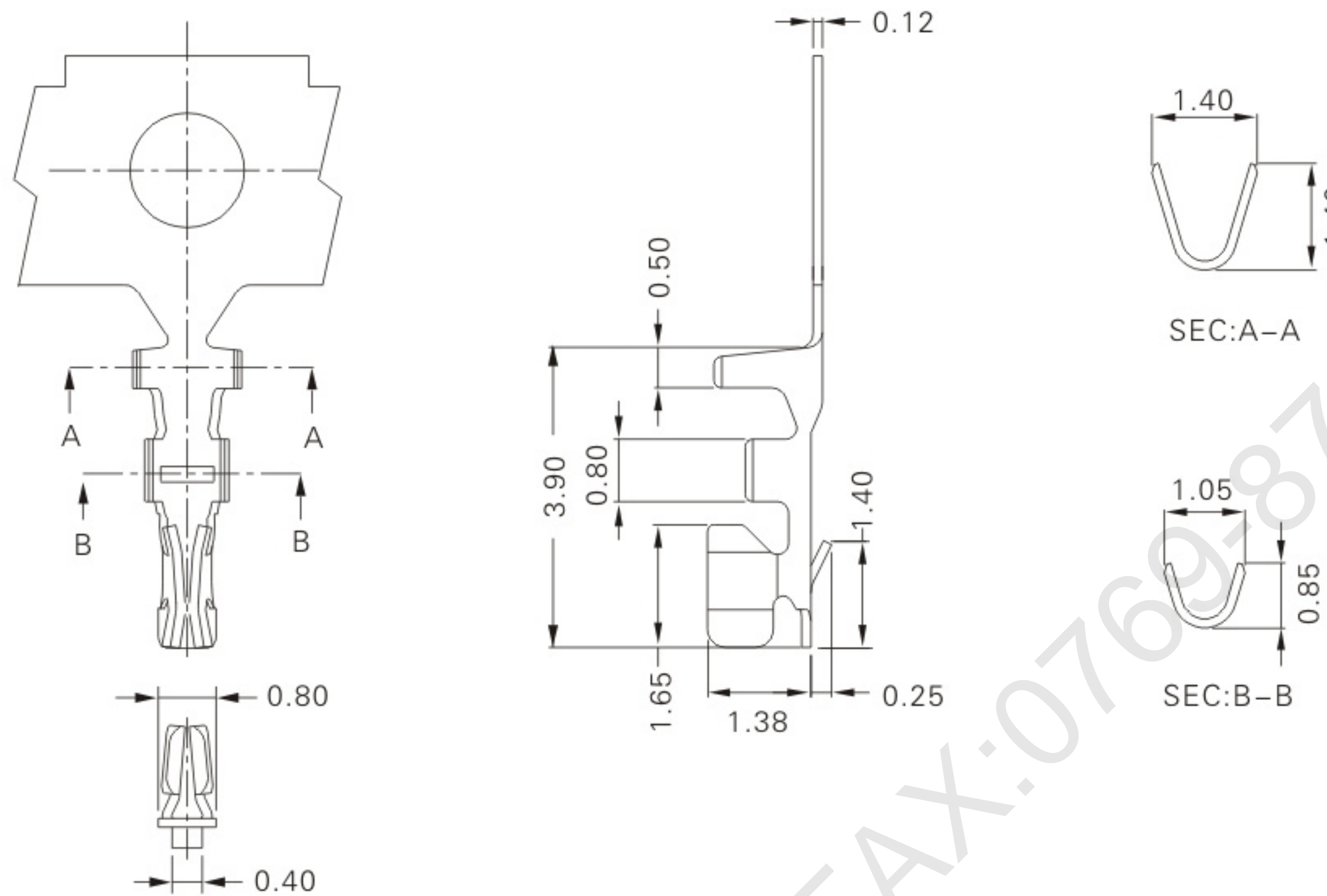
Assembly layout



E001-T (1.00mm pitch crimp terminal)

Reference Informations:

*Used in E001H series Housing



Ordering Information & Specifications

Unit: mm

Part No.	Wire Range	Insulation O.D.	Material	Finish	Qty/reel
E001P-2	AWG#28-#32	0.80mm(max)	Phosphor Bronze	Tin-plated	15,000pcs
E001P-00				Gold-flash	

E001H-NP (1.00mm pitch single row housing)

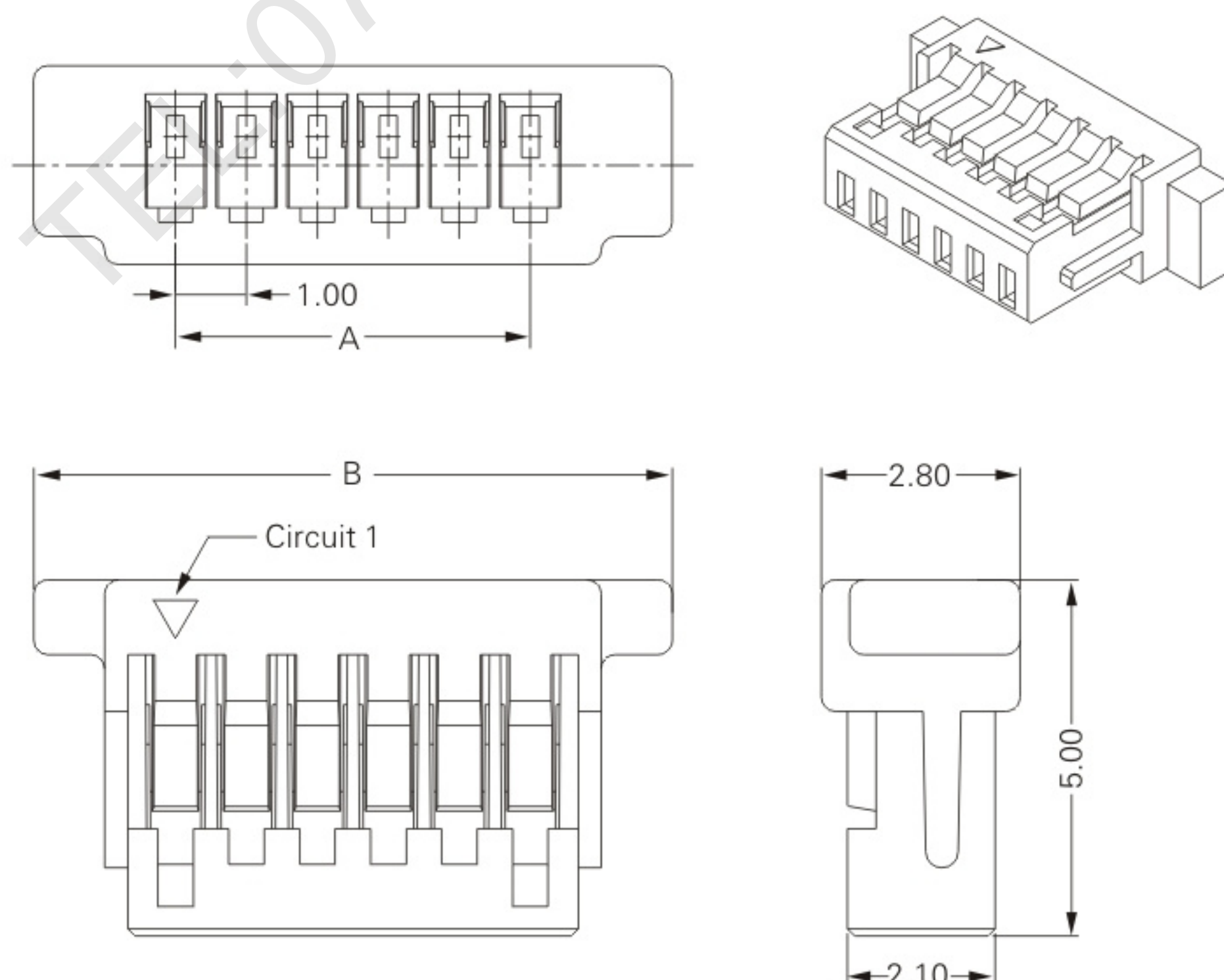
Reference Informations:

*Material: PBT,UL94V-0

*Halogen Free:Nylon66 UL 94V-0

*Suitable E001-T series Terminal

*Mates with E001PS/PR series single row Wafer



Ordering Information & Dimensions

Circuits	Part No.	DIM.(mm)	
		A	B
02	E001H-02P	1.00	5.00
03	E001H-03P	2.00	6.00
04	E001H-04P	3.00	7.00
05	E001H-05P	4.00	8.00
06	E001H-06P	5.00	9.00
07	E001H-07P	6.00	10.00
08	E001H-08P	7.00	11.00
09	E001H-09P	8.00	12.00
10	E001H-10P	9.00	13.00
11	E001H-11P	10.00	14.00
12	E001H-12P	11.00	15.00
13	E001H-13P	12.00	16.00
14	E001H-14P	13.00	17.00
15	E001H-15P	14.00	18.00
16	E001H-16P	15.00	19.00
17	E001H-17P	16.00	20.00
18	E001H-18P	17.00	21.00
19	E001H-19P	18.00	22.00
20	E001H-20P	19.00	23.00

E001H-NP-N (1.00mm pitch single row housing-Without Protrusions)

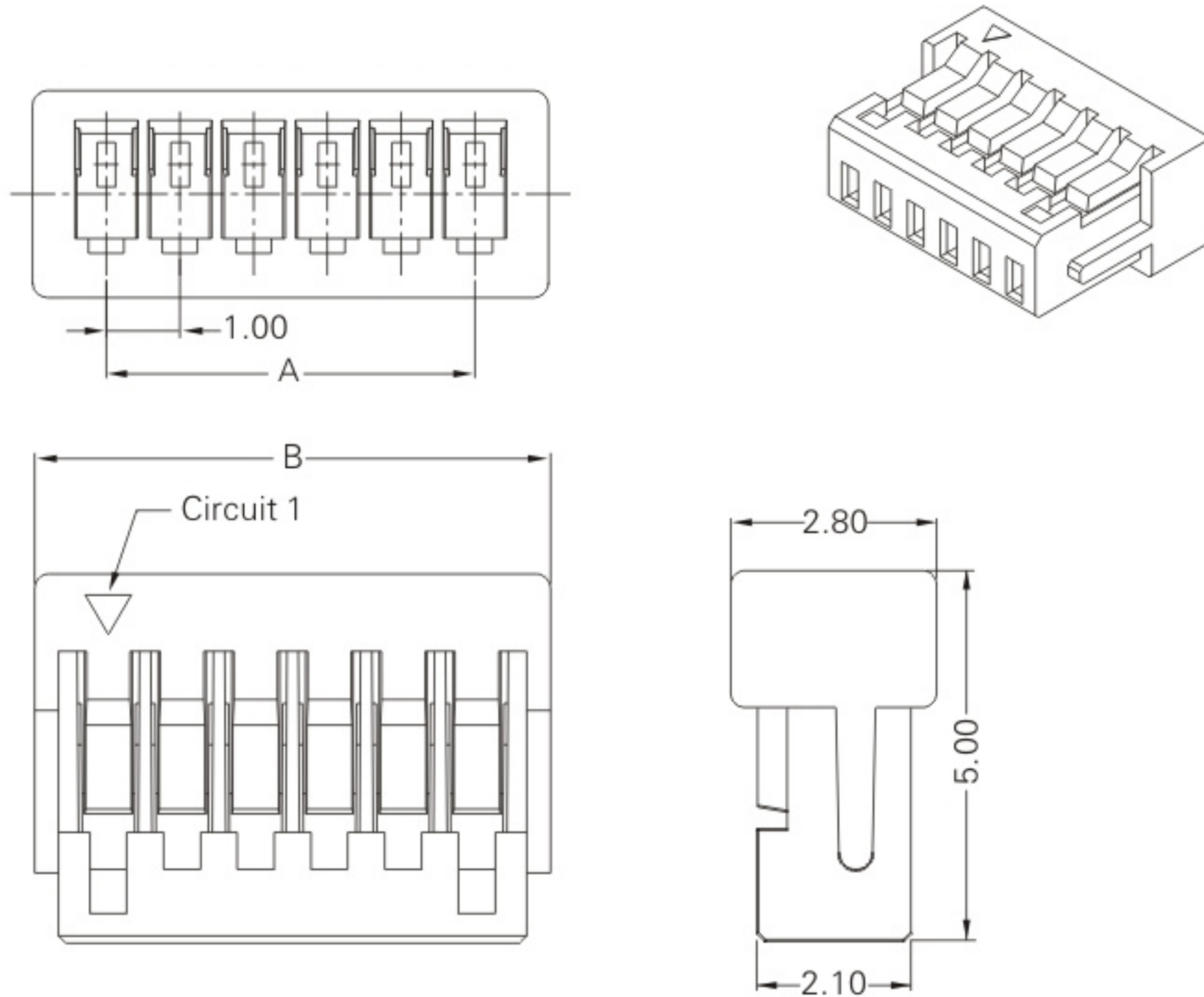
Reference Informations:

*Material: PBT,UL94V-0

Halogen Free:Nylon66 94V-0

*Suitable E001-T series Terminal

*Mates with E001PS/PR series single row Wafer



Ordering Information & Dimensions

Circuits	Part No.	DIM.(mm)	
		A	B
02	E001H-02P-N	1.00	3.00
03	E001H-03P-N	2.00	4.00
04	E001H-04P-N	3.00	5.00
05	E001H-05P-N	4.00	6.00
06	E001H-06P-N	5.00	7.00
07	E001H-07P-N	6.00	8.00
08	E001H-08P-N	7.00	9.00
09	E001H-09P-N	8.00	10.00
10	E001H-10P-N	9.00	11.00
11	E001H-11P-N	10.00	12.00
12	E001H-12P-N	11.00	13.00
13	E001H-13P-N	12.00	14.00
14	E001H-14P-N	13.00	15.00
15	E001H-15P-N	14.00	16.00
16	E001H-16P-N	15.00	17.00
17	E001H-17P-N	16.00	18.00
18	E001H-18P-N	17.00	19.00
19	E001H-19P-N	18.00	20.00
20	E001H-20P-N	19.00	21.00

E001PS-NP-SMT (1.00mm pitch 180° single row wafer-SMT TYPE)

Reference Informations:

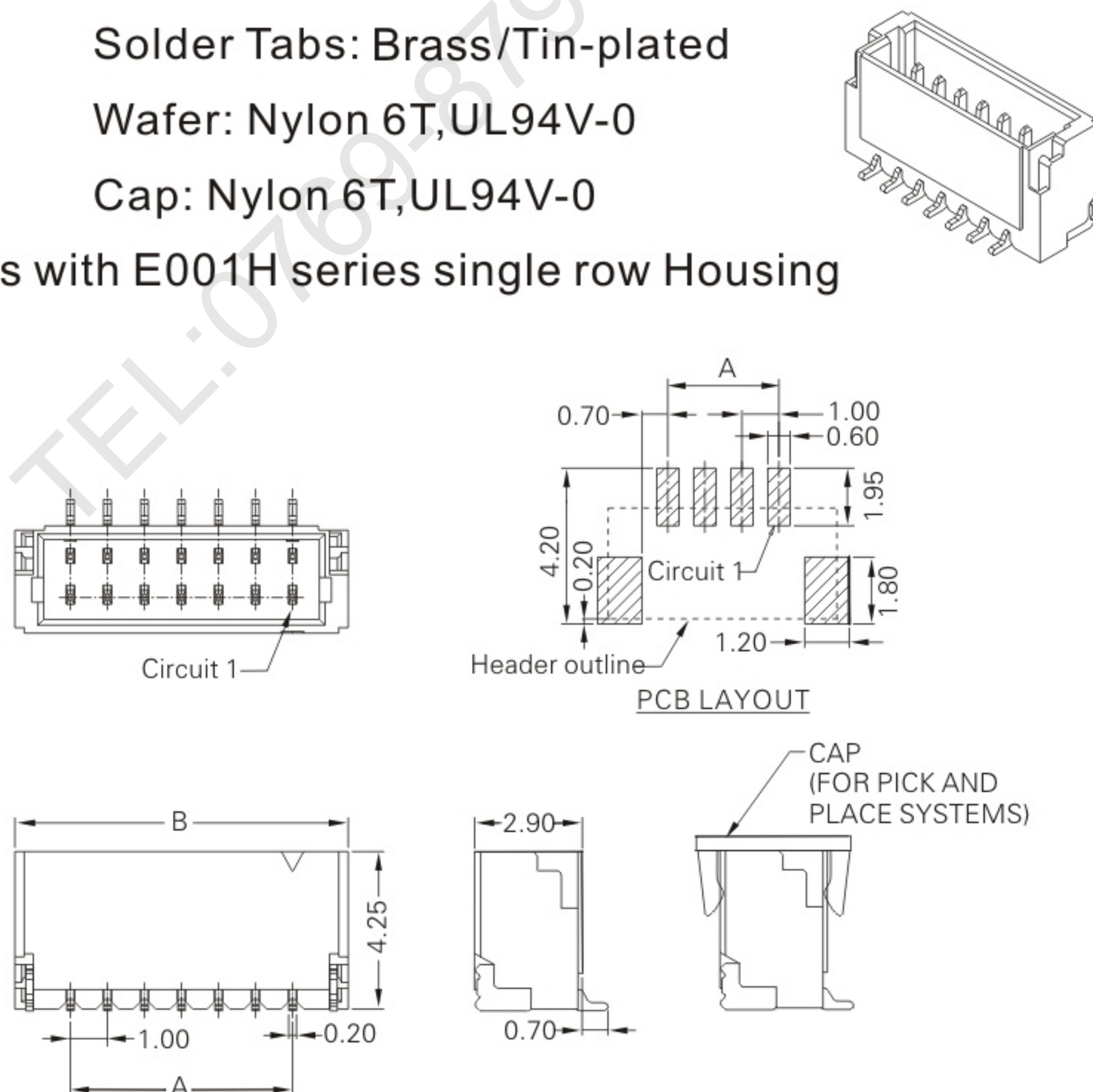
*Material: Pin: Phosphor Bronze/Tin-plated

Solder Tabs: Brass/Tin-plated

Wafer: Nylon 6T,UL94V-0

Cap: Nylon 6T,UL94V-0

*Mates with E001H series single row Housing



Ordering Information & Dimensions

Circuits	Part No.	DIM.(mm)	
		A	B
02	E001PS-02-SMT	1.00	4.00
03	E001PS-03-SMT	2.00	5.00
04	E001PS-04-SMT	3.00	6.00
05	E001PS-05-SMT	4.00	7.00
06	E001PS-06-SMT	5.00	8.00
07	E001PS-07-SMT	6.00	9.00
08	E001PS-08-SMT	7.00	10.00
09	E001PS-09-SMT	8.00	11.00
10	E001PS-10-SMT	9.00	12.00
11	E001PS-11-SMT	10.00	13.00
12	E001PS-12-SMT	11.00	14.00
13	E001PS-13-SMT	12.00	15.00
14	E001PS-14-SMT	13.00	16.00
15	E001PS-15-SMT	14.00	17.00

E001PR-NP-SMT (1.00mm pitch 90° single row wafer-SMT TYPE)

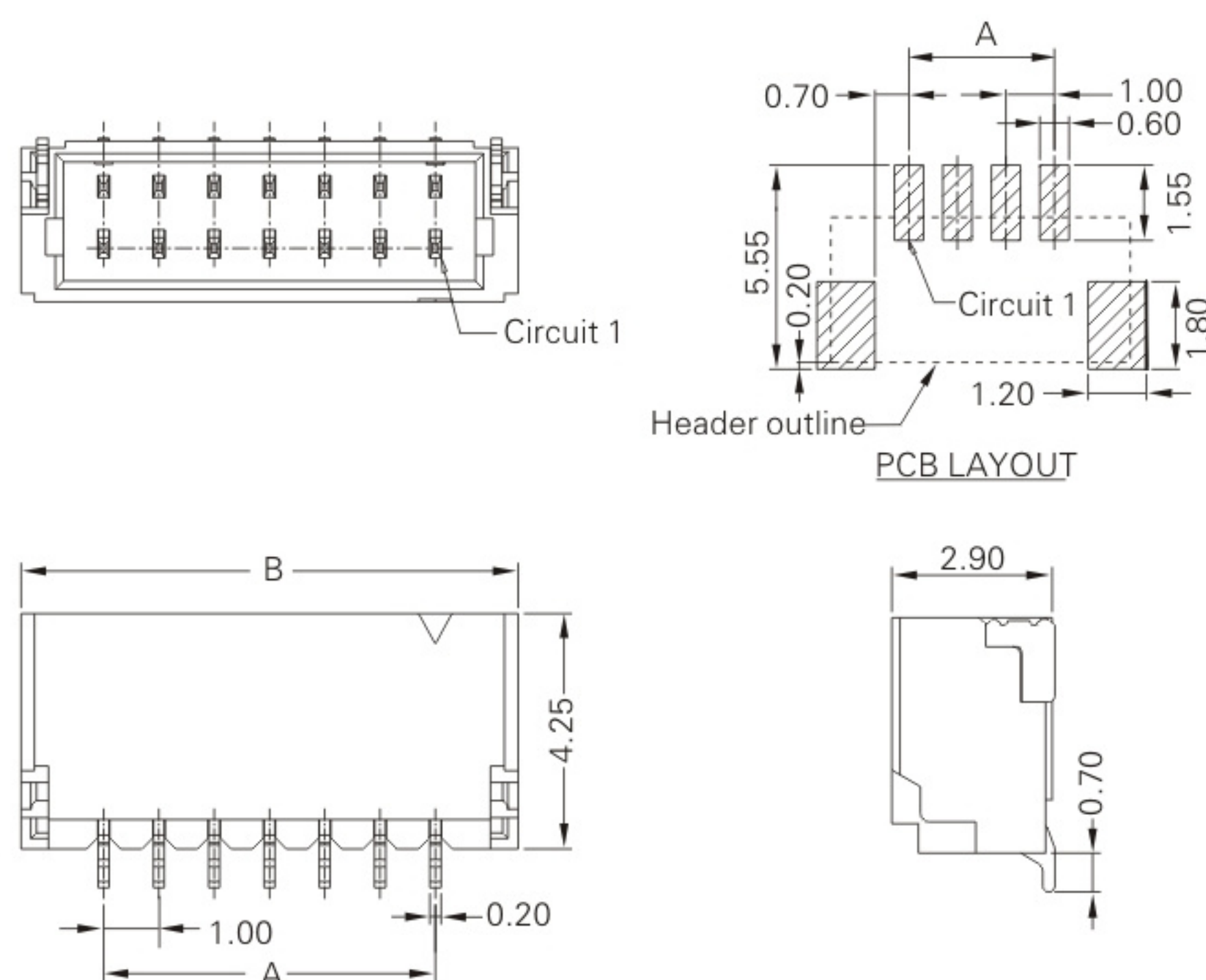
Reference Informations:

*Material: Pin: Phosphor Bronze/Tin-plated

Solder Tabs: Brass/Tin-plated

Wafer: Nylon 6T,UL94V-0

*Mates with E001H series single row Housing



Ordering Information & Dimensions

Circuits	Part No.	DIM.(mm)	
		A	B
02	E001PR-02P-SMT	1.00	4.00
03	E001PR-03P-SMT	2.00	5.00
04	E001PR-04P-SMT	3.00	6.00
05	E001PR-05P-SMT	4.00	7.00
06	E001PR-06P-SMT	5.00	8.00
07	E001PR-07P-SMT	6.00	9.00
08	E001PR-08P-SMT	7.00	10.00
09	E001PR-09P-SMT	8.00	11.00
10	E001PR-10P-SMT	9.00	12.00
11	E001PR-11P-SMT	10.00	13.00
12	E001PR-12P-SMT	11.00	14.00
13	E001PR-13P-SMT	12.00	15.00
14	E001PR-14P-SMT	13.00	16.00
15	E001PR-15P-SMT	14.00	17.00

E001H-2XNP (1.00mm pitch dual row housing)

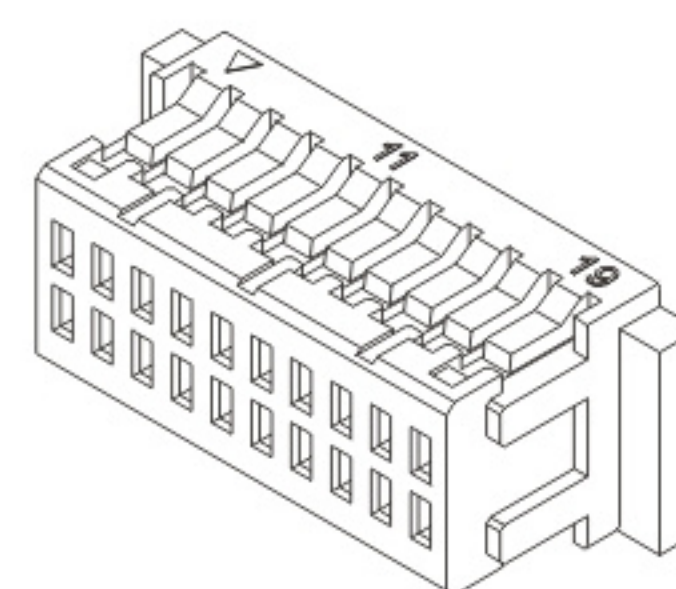
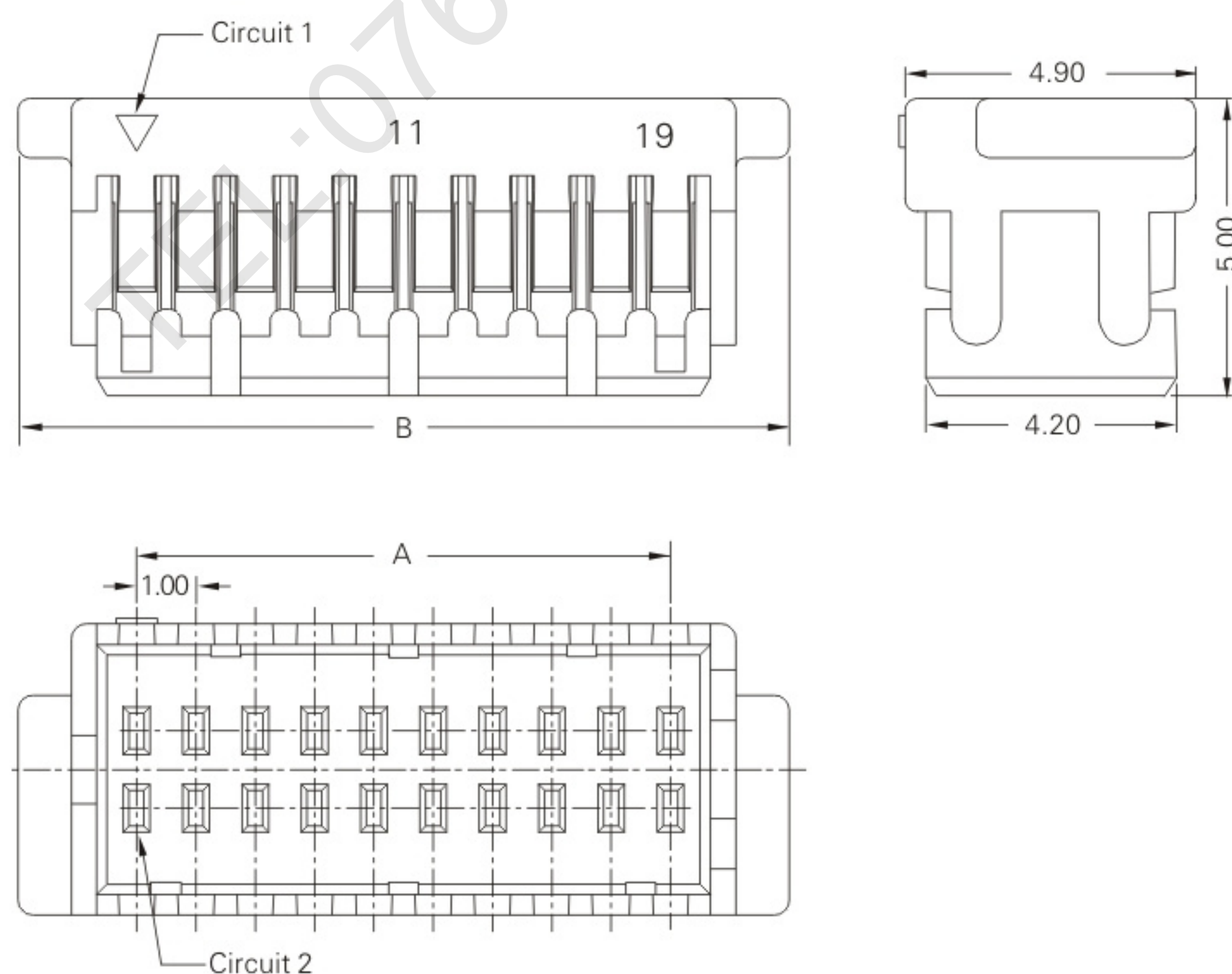
Reference Informations:

*Material:PBT, UL 94V-0

Halogen Free:Nylon66 94V-0

*Suitable E001-T series Terminal

*Mates with E001PS series dual row Wafer



Ordering Information & Dimensions

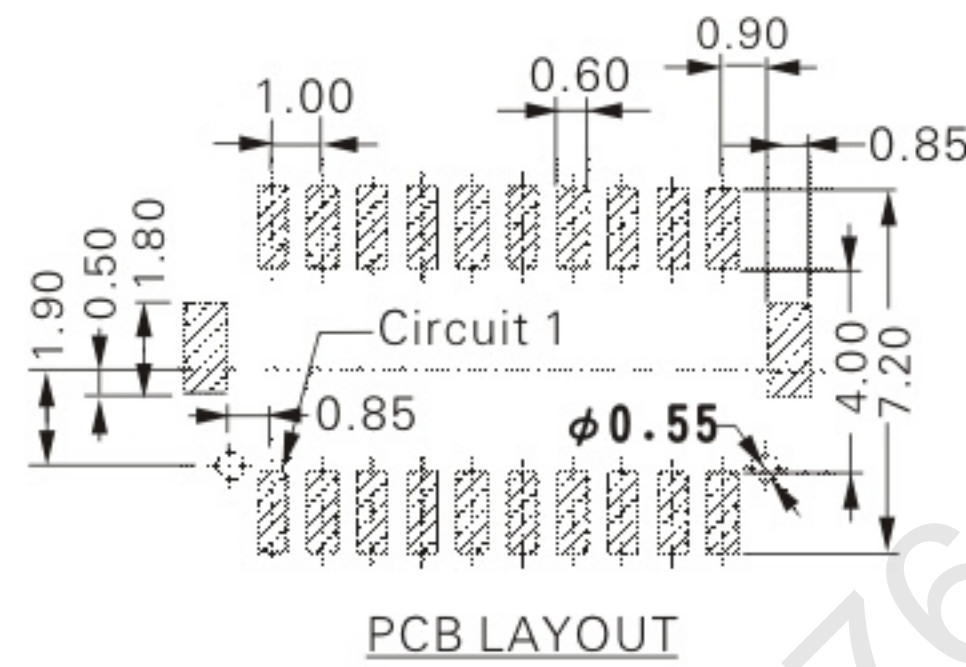
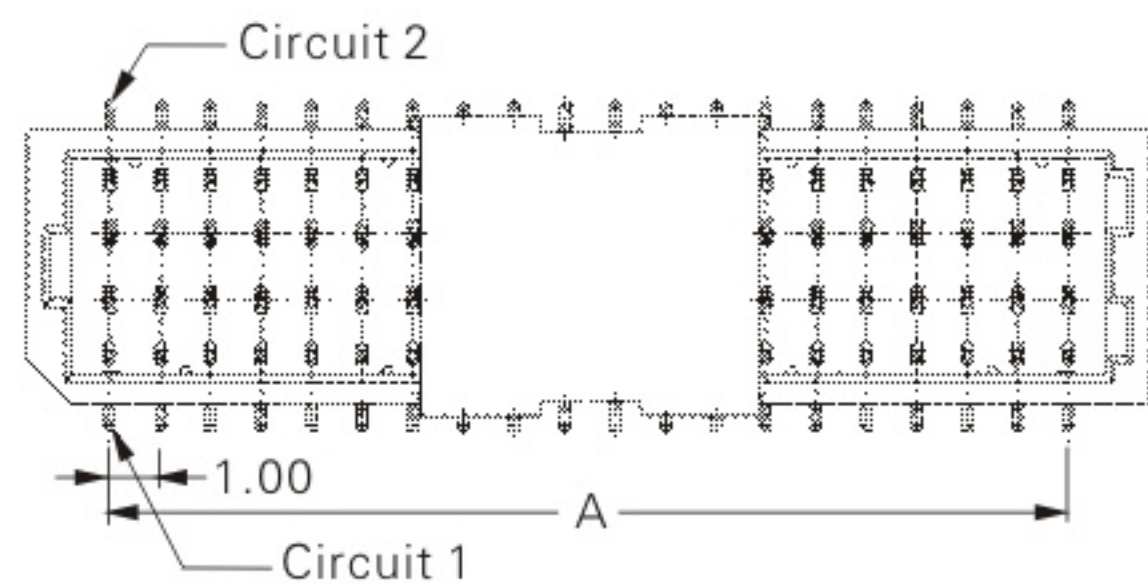
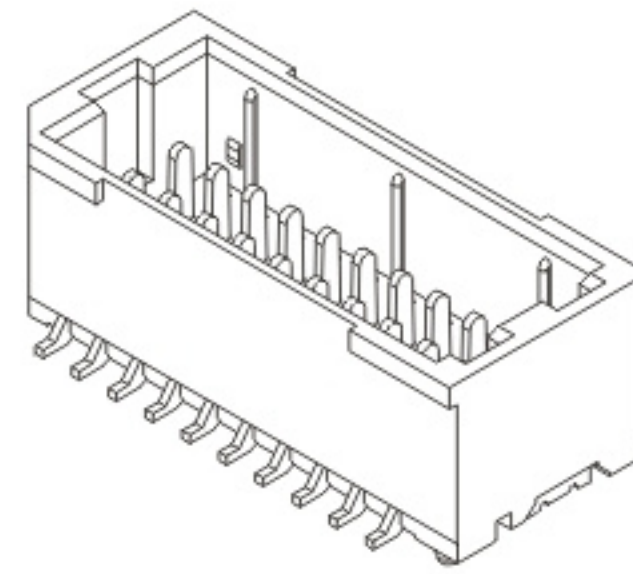
Circuits	Part No.	DIM.(mm)	
		A	B
10	E001H-2X05P	4.00	8.00
12	E001H-2X06P	5.00	9.00
16	E001H-2X08P	7.00	11.00
20	E001H-2X10P	9.00	13.00
30	E001H-2X15P	14.00	18.00
40	E001H-2X20P	19.00	23.00
50	E001H-2X25P	24.00	28.00

E001PS-2XNP-SMT (1.00mm pitch 180° dual row wafer with post-SMT TYPE)

Reference Informations:

- *Material: Pin: Phosphor Bronze/Gold flash
Solder Tabs: Brass/Gold flash
Wafer: Nylon 6T,UL94V-0
Cap: Nylon 6T,UL94V-0

*Mates with E001H series dual row Housing



PCB LAYOUT

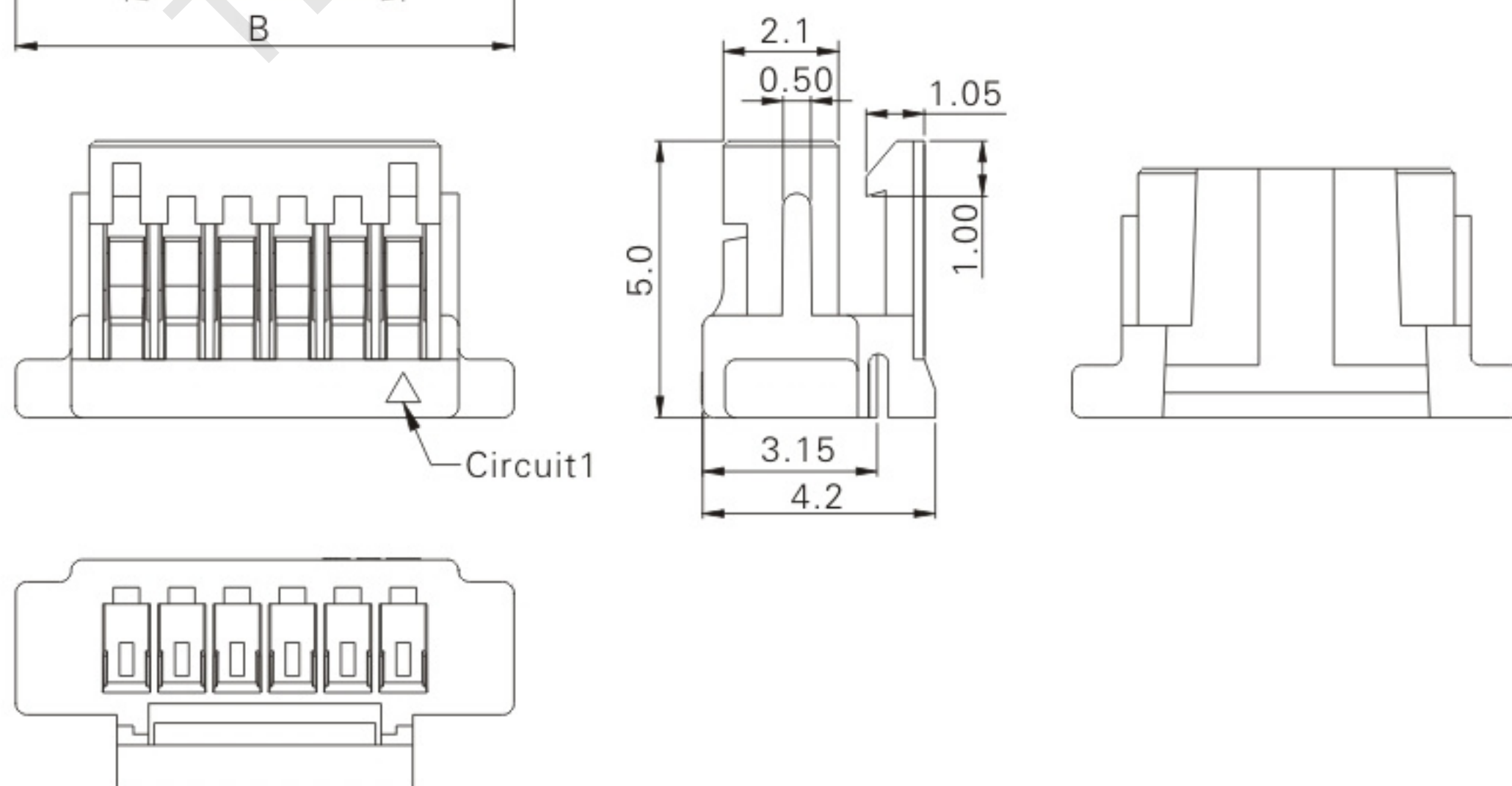
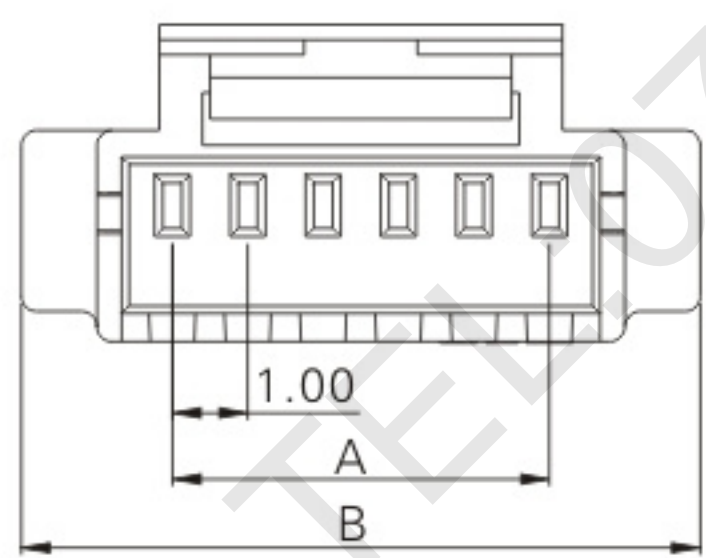
Ordering Information & Dimensions

Circuits	Part No.	DIM.(mm)	
		A	B
12	E001PS-2X06P-SMT	5.00	8.30
16	E001PS-2X08P-SMT	7.00	10.30
20	E001PS-2X10P-SMT	9.00	12.30
30	E001PS-2X15P-SMT	14.00	17.30
40	E001PS-2X20P-SMT	19.00	22.30
50	E001PS-2X25P-SMT	24.00	27.30

E001H-NP-K (1.00mm pitch single row housing with lock)

Reference Informations:

- *Material:Nylon66,UL 94V-0
- *Suitable E001-T Series Terminal
- *Mates With E001PS/PR Series single Row Wafer



Ordering Information & Dimensions

Circuits	Part No.	DIM.(mm)	
		A	B
02	E001H-02P-K	1.00	5.00
03	E001H-03P-K	2.00	6.00
04	E001H-04P-K	3.00	7.00
05	E001H-05P-K	4.00	8.00
06	E001H-06P-K	5.00	9.00
07	E001H-07P-K	6.00	10.00
08	E001H-08P-K	7.00	11.00
09	E001H-09P-K	8.00	12.00
10	E001H-10P-K	9.00	13.00
11	E001H-11P-K	10.00	14.00
12	E001H-12P-K	11.00	15.00
13	E001H-13P-K	12.00	16.00
14	E001H-14P-K	13.00	17.00
15	E001H-15P-K	14.00	18.00
16	E001H-16P-K	15.00	19.00
17	E001H-17P-K	16.00	20.00
18	E001H-18P-K	17.00	21.00
19	E001H-19P-K	18.00	22.00
20	E001H-20P-K	19.00	23.00