

Specifications

Current rating: 4A AC,DC

Voltage rating: 250V AC,DC

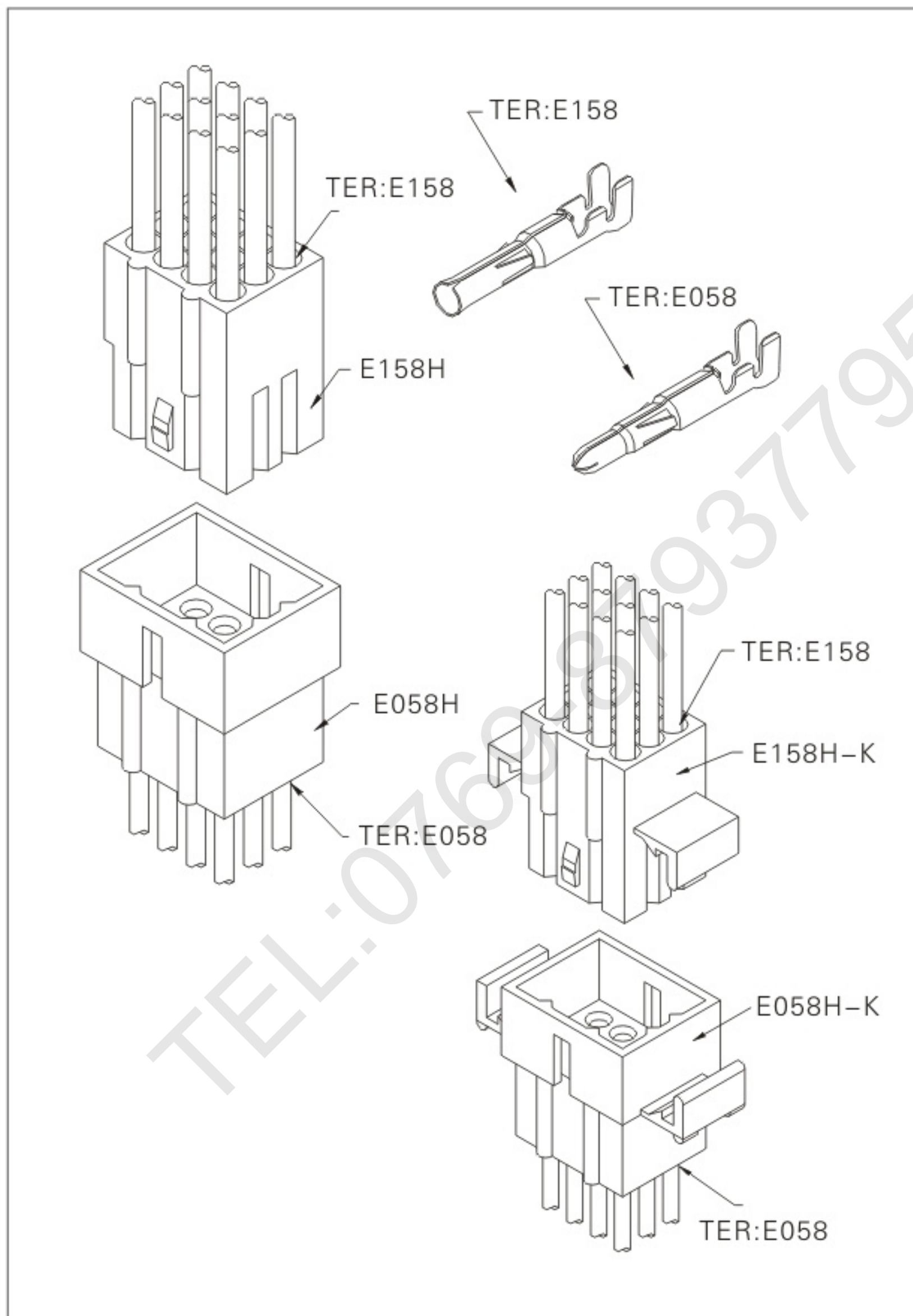
Temperature range: -25°C to +85°C
(including temperature rise)

Contact resistance: Initial value/ 10m Ω Max.
After environmental testing/20m Ω Max.

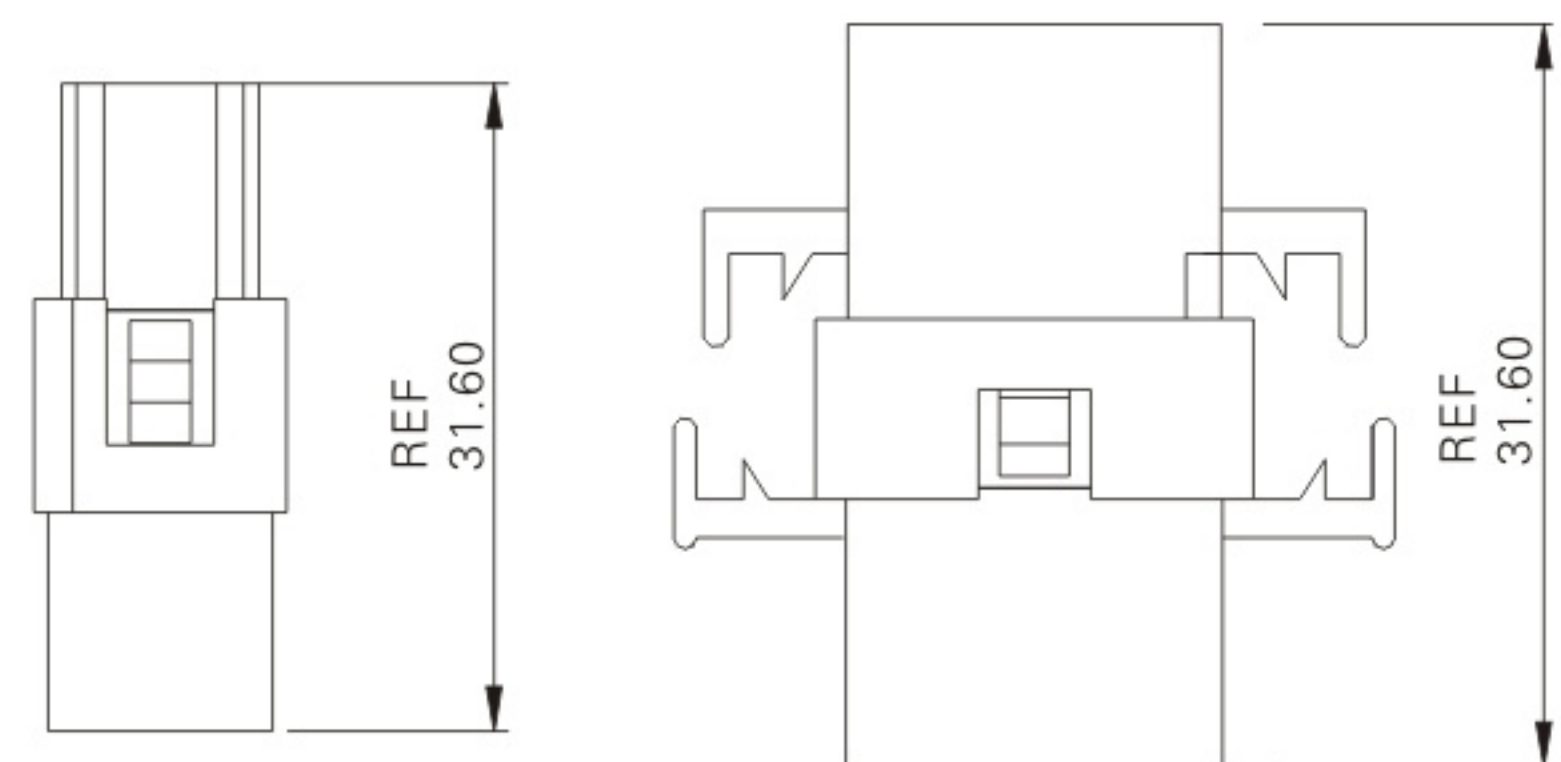
Insulation resistance: 1000 M Ω Min.

Withstanding voltage: 1500V AC/minute

Applicable wire: AWG#18-#22



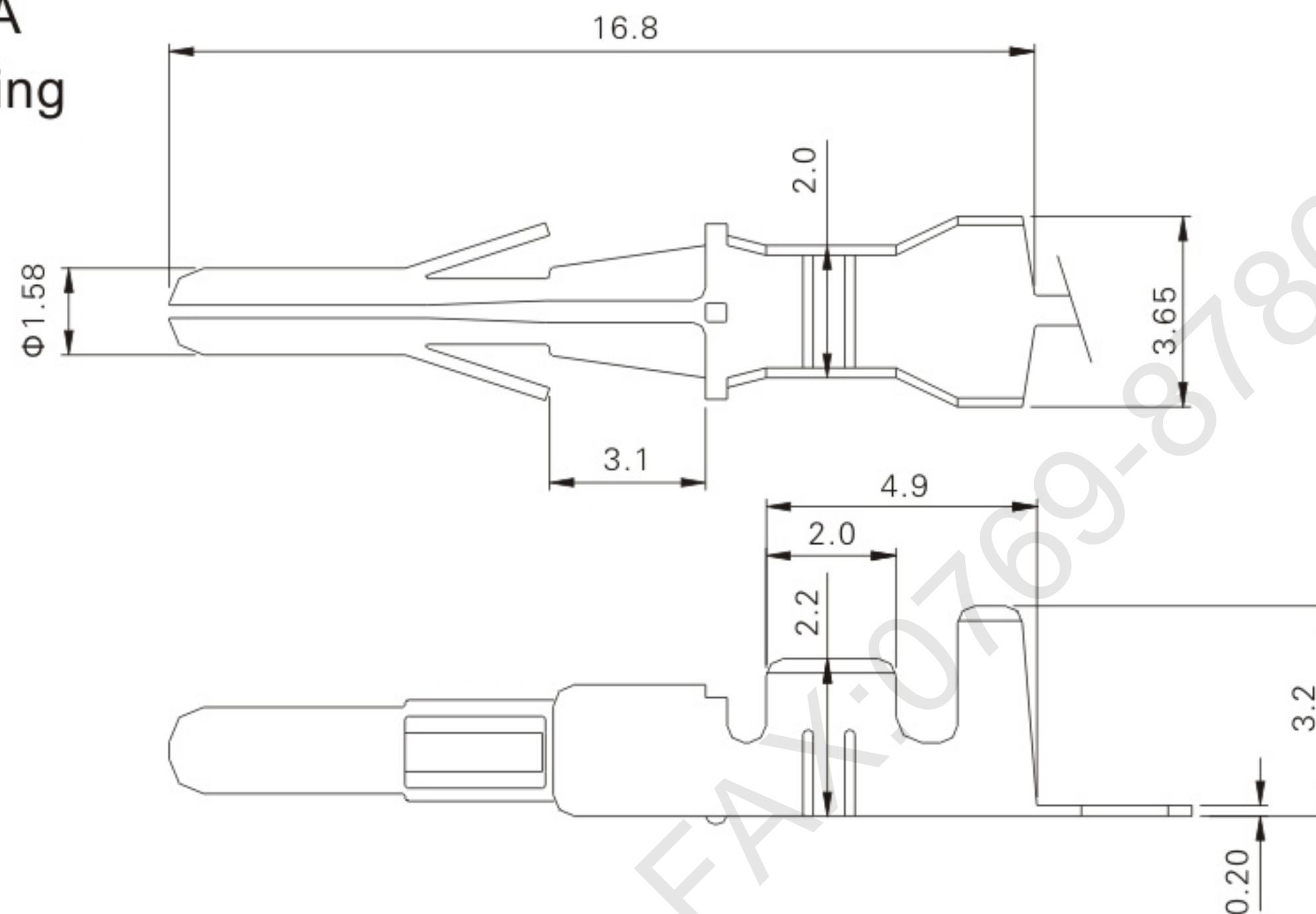
Assembly layout



E058 (3.68mm pitch crimp terminal)

Reference Informations:

- *Thickness: 0.20 mm
- *Mat'l: Brass Tin Plated
- *Mates With: E158 series Terminal
- *Accepts With: E058H E058H-A
E058H-K Housing



Ordering Information & Specifications

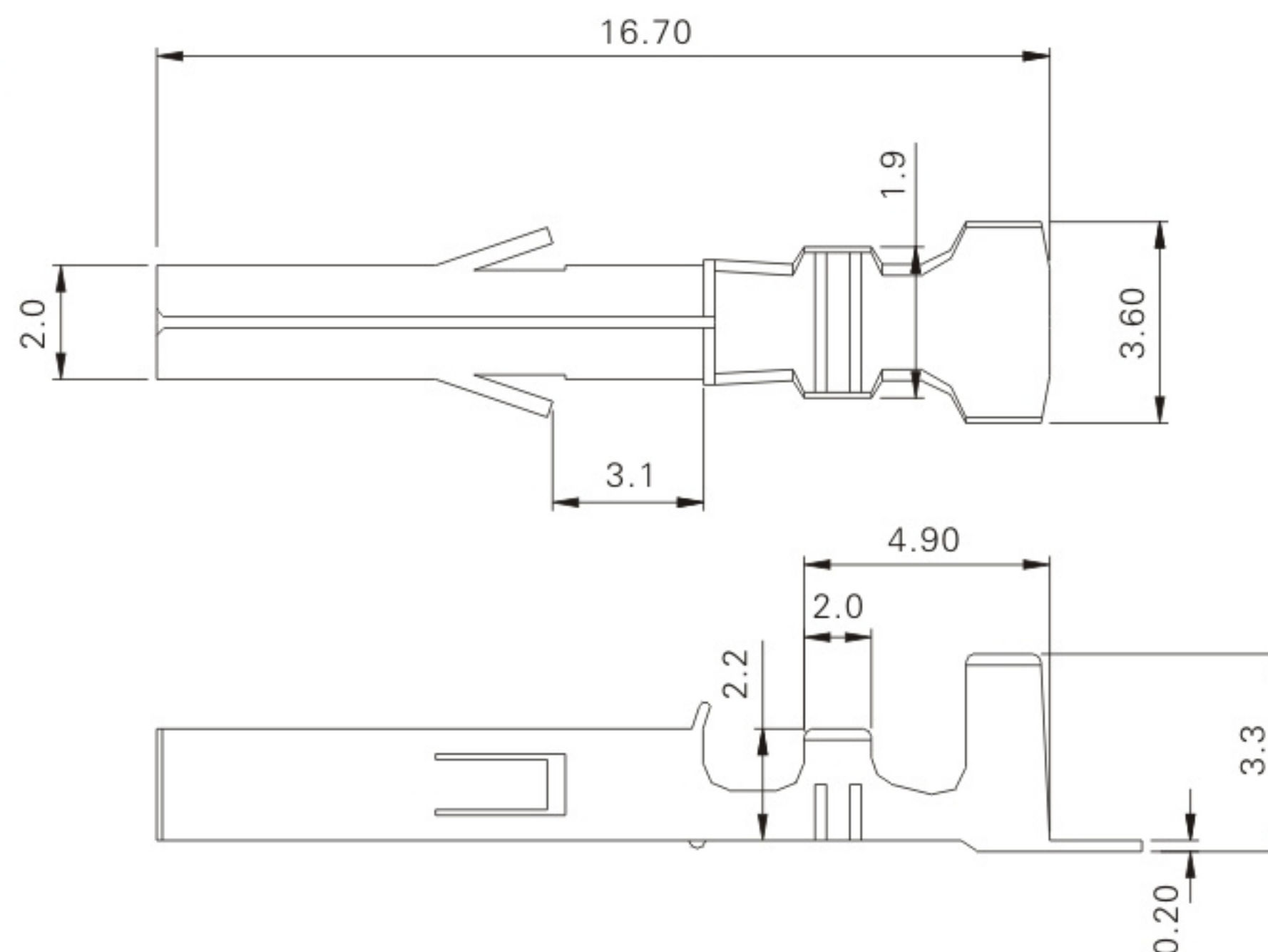
Unit: mm

Part No.	Wire Range	Insulation O.D.	Material	Finish	Qty/reel
E058	AWG#18-#22	3.0mm max	Brass	Tin-plated	7000

E158 (3.68mm pitch crimp terminal)

Reference Informations:

- *Thickness: 0.20 mm
- *Mat'l: Brass Tin Plated
- *Mates With: E058 series Terminal
- *Accepts With: E158H E158H-A
E158H-K Housing



Ordering Information & Specifications

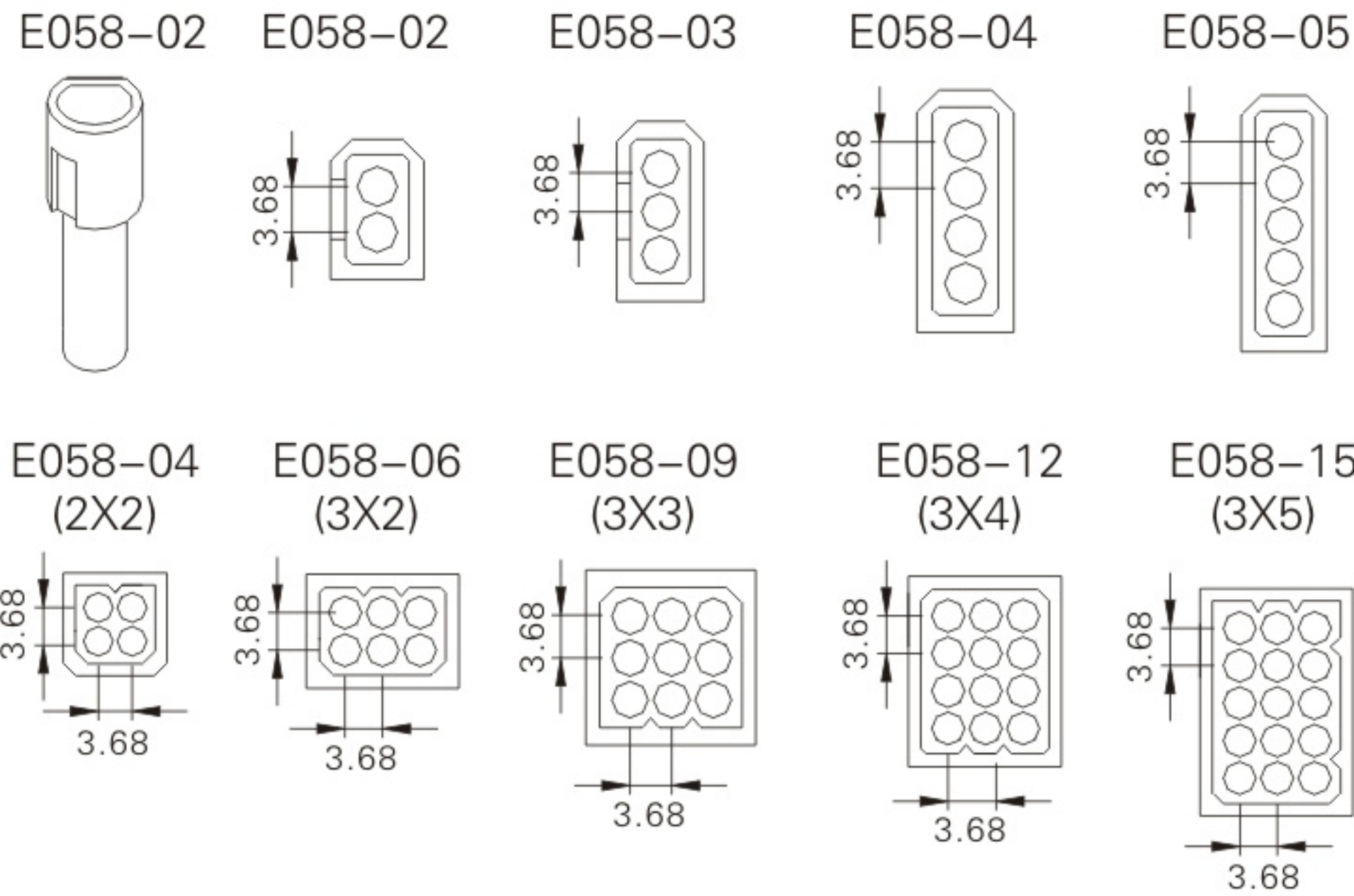
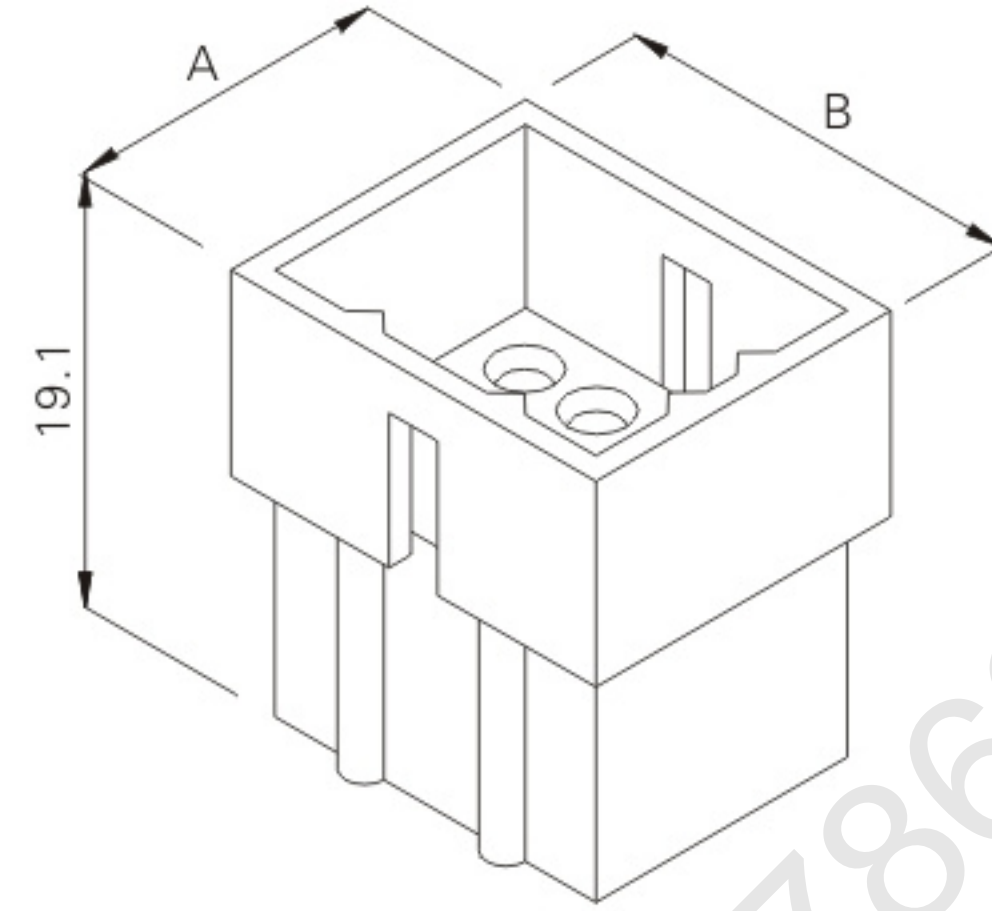
Unit: mm

Part No.	Wire Range	Insulation O.D.	Material	Finish	Qty/reel
E158	AWG#18-#22	3.0mm max	Brass	Tin-plated	7000

E058H (3.68mm pitch series housing)

Reference Informations:

- *Mat'l: Nylon66 UL94-V2
- *Mates With: E058 series Terminal
- *Mates With: E058H series Housing



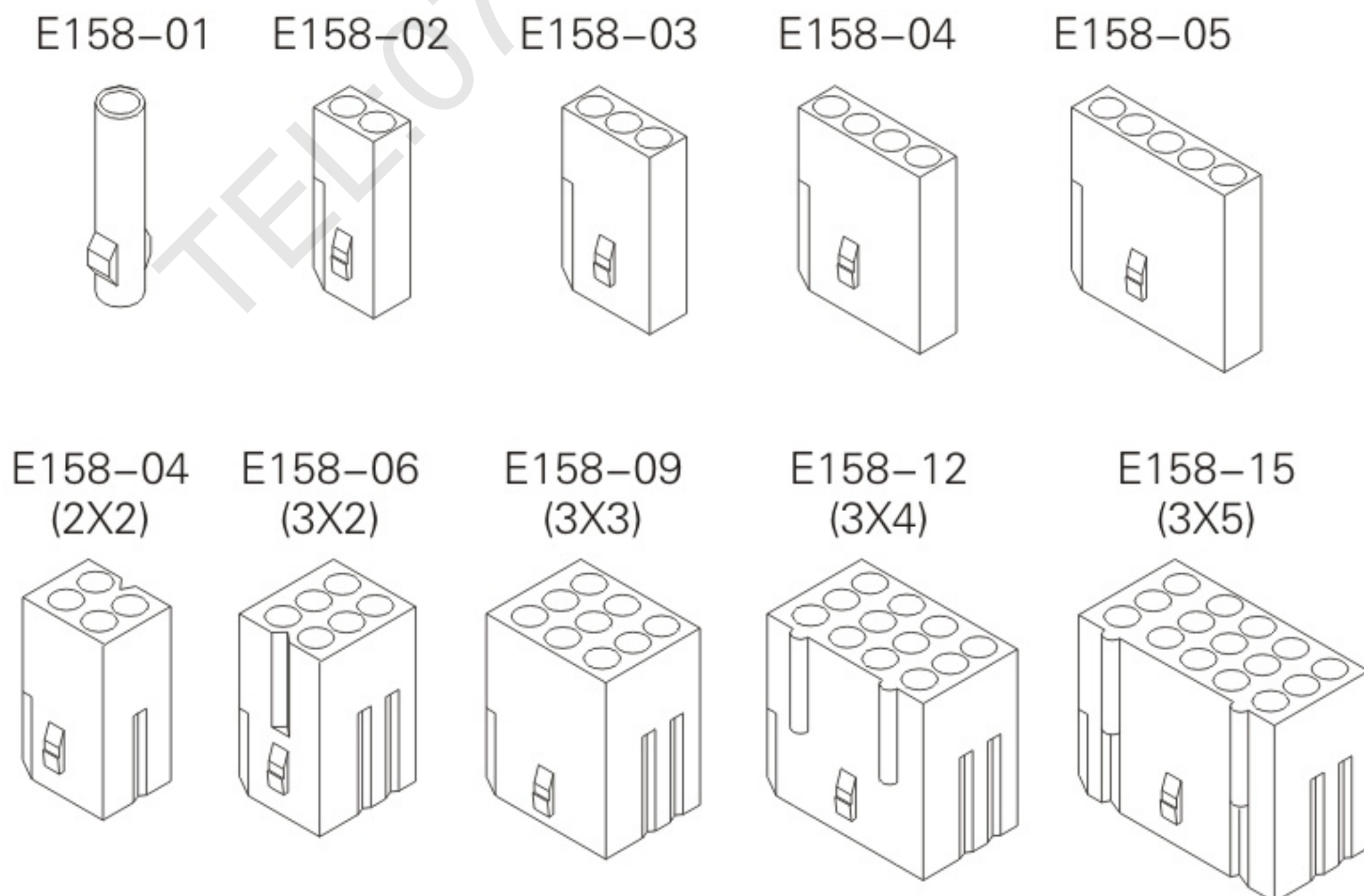
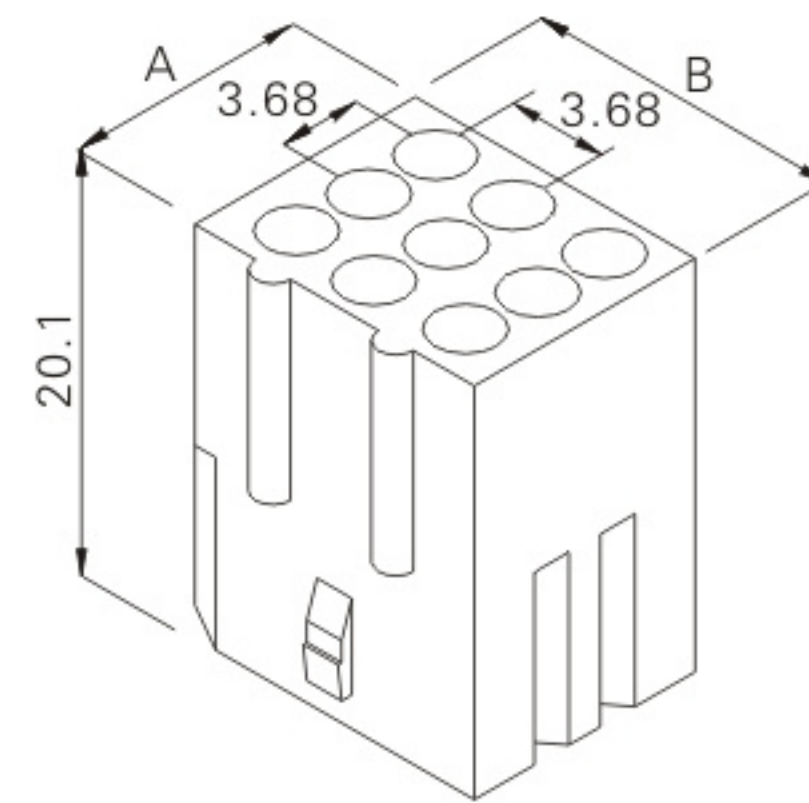
Ordering Information & Dimensions

Circuits	Part No.	DIM.(mm)	
		A	B
01	E058H-01	Φ7.6	
02	E058H-02(1X2)	7.5	11.4
03	E058H-03(1X3)	7.5	14.94
04	E058H-04(1X4)	7.5	18.7
05	E058H-05(1X5)	7.5	22.7
04	E058H-04(2X2)	11.2	11.8
06	E058H-06(3X2)	15.5	11.3
09	E058H-09(3X3)	15.5	15.4
12	E058H-12(3X4)	15.5	18.8
15	E058H-15(3X5)	15.5	22.5

E158H (3.68mm pitch series housing)

Reference Informations:

- *Mat'l: Nylon66 UL94-V2
- *Mates With: E158 Series Terminal
- *Mates With: E058 Series Housing



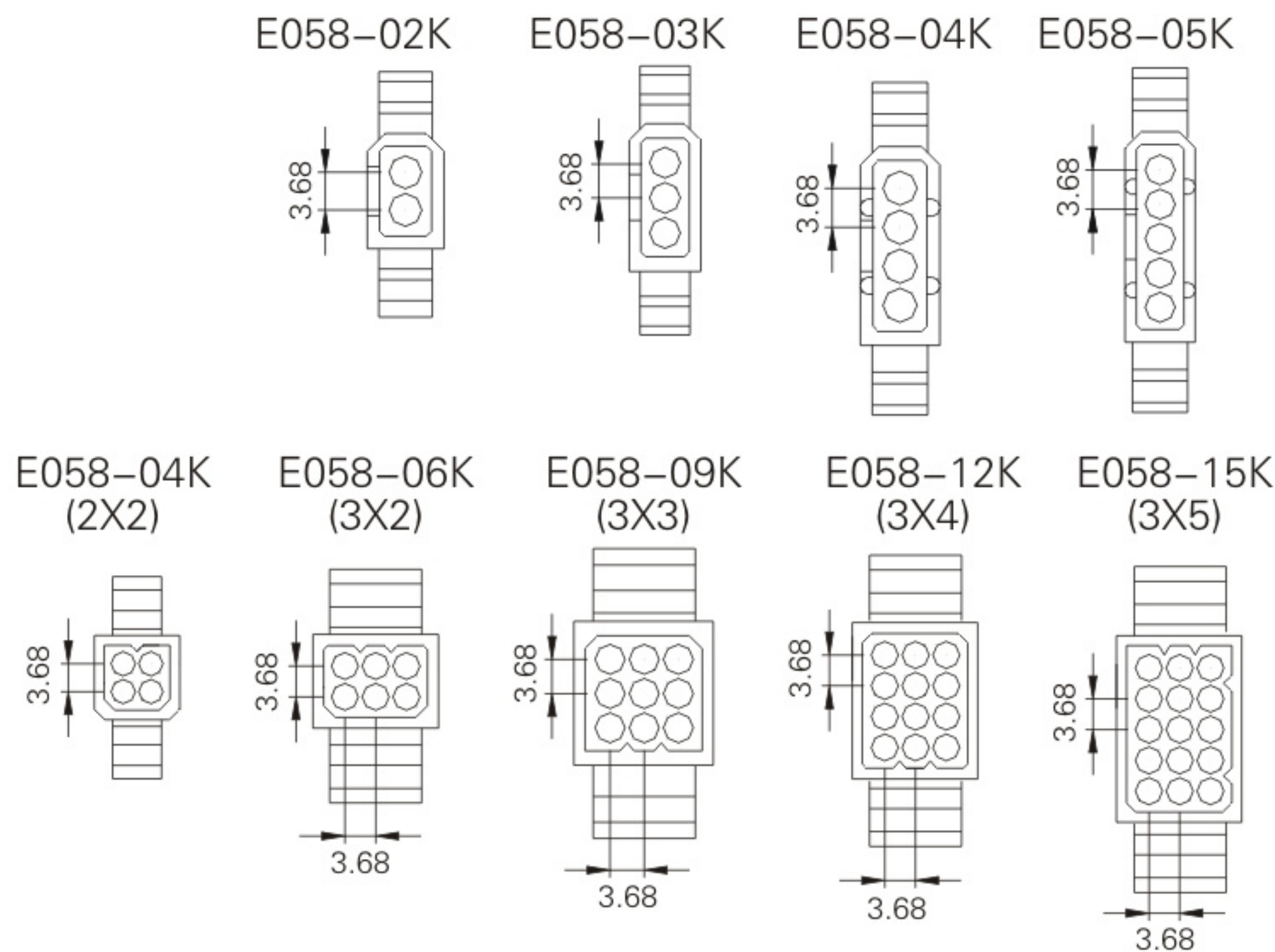
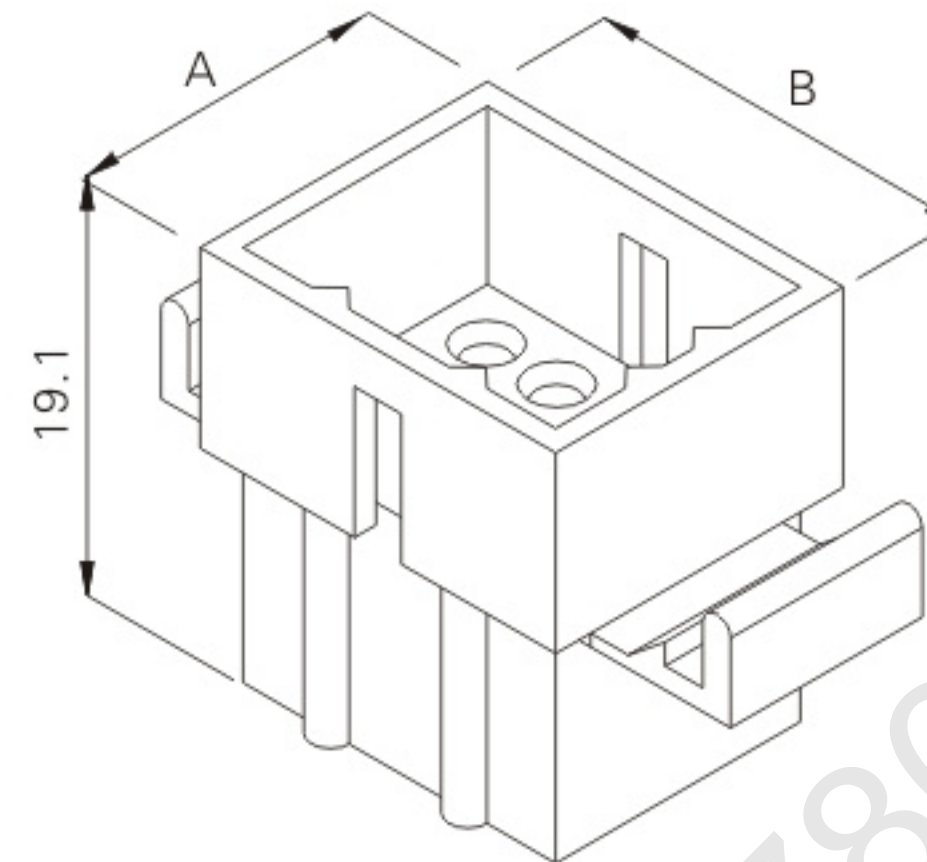
Ordering Information & Dimensions

Circuits	Part No.	DIM.(mm)	
		A	B
01	E158H-01	Φ4.9	
02	E158H-02(1X2)	4.9	8.7
03	E158H-03(1X3)	4.9	12.4
04	E158H-04(1X4)	4.9	16.1
04	E158H-04(2X2)	8.6	8.6
06	E158H-06(3X2)	12.5	8.8
09	E158H-09(3X3)	12.7	12.7
12	E158H-12(3X4)	12.7	16.1
15	E158H-15(3X5)	12.7	19.9

E058H-K (3.68mm pitch series housing)

Reference Informations:

- *Mat'l: Nylon66 UL94-V2
- *Mates With: E058 series Terminal
Series Terminal
- *Mates With: E158-K series Housing
Series Housing



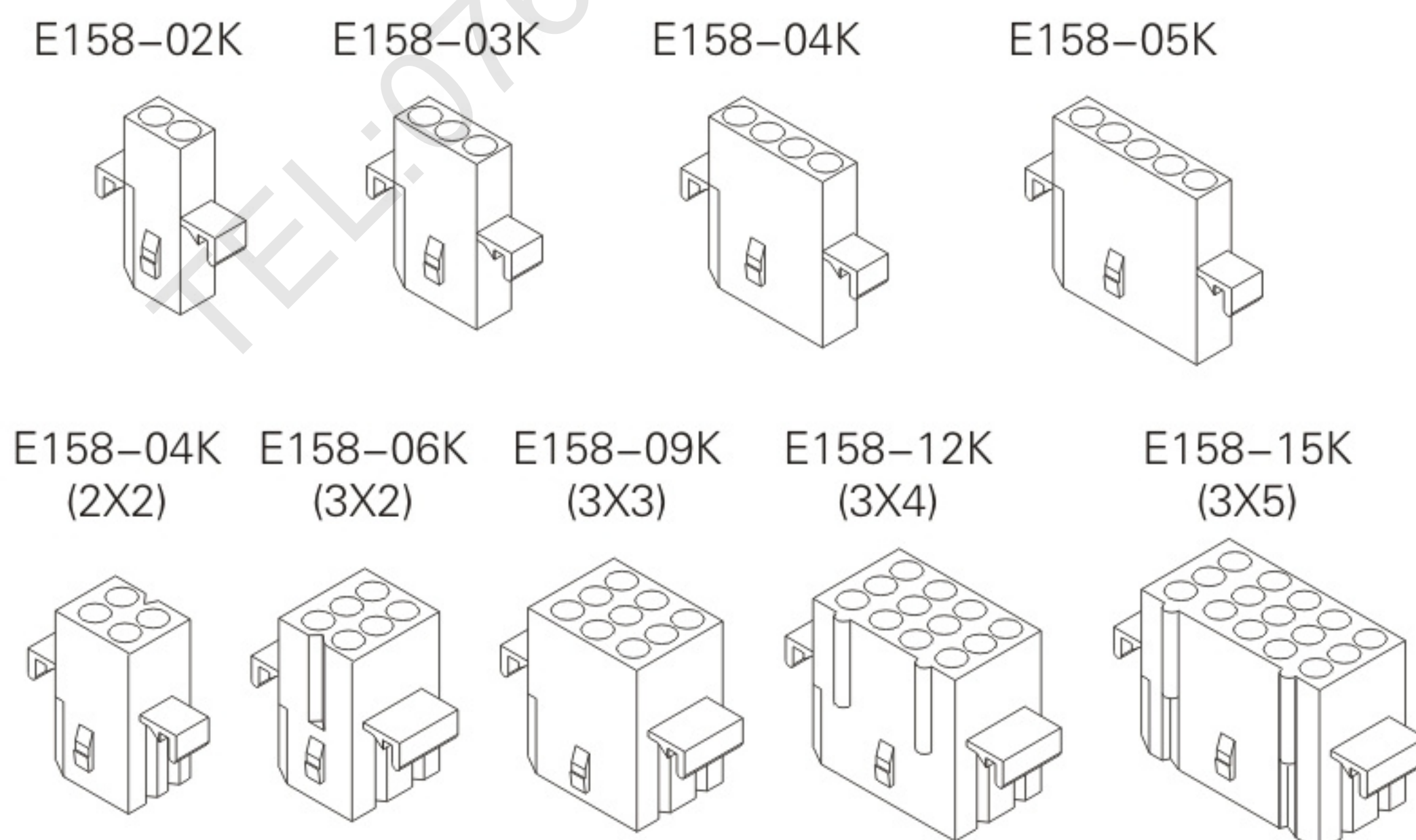
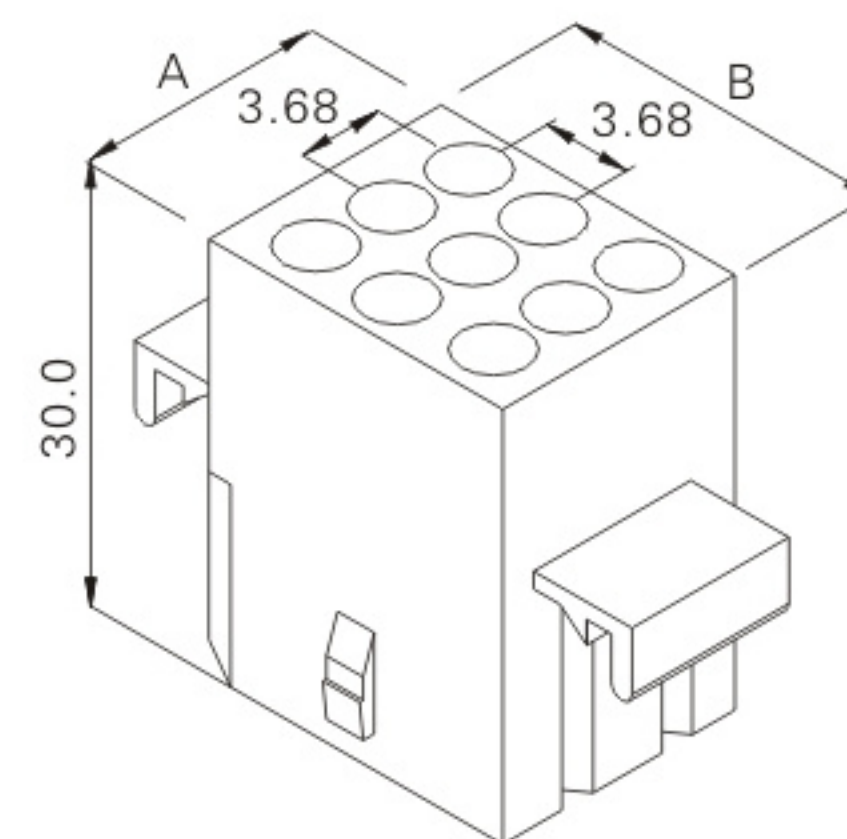
Ordering Information & Dimensions

Circuits	Part No.	DIM.(mm)	
		A	B
02	E058H-02K(1X2)	7.5	11.4
03	E058H-03K(1X3)	7.5	14.94
04	E058H-04K(1X4)	7.5	18.70
05	E058H-05K(1X5)	7.9	22.70
04	E058H-04K(2X2)	11.2	11.80
06	E058H-06K(3X2)	15.2	11.30
09	E058H-09K(3X3)	15.2	15.40
12	E058H-12K(3X4)	15.2	18.85
15	E058H-15K(3X5)	15.2	22.50

E158H-K (3.68mm pitch series housing)

Reference Informations:

- *Mat'l: Nylon66 UL94-V2
- *Mates With: E158 series Terminal
- *Mates With: E058-K series Housing



Ordering Information & Dimensions

Circuits	Part No.	DIM.(mm)	
		A	B
02	E158H-02K(1X2)	4.9	
03	E158H-03K(1X3)	4.9	12.4
04	E158H-04K(1X4)	4.9	16.1
05	E158H-05K(1X5)	4.9	19.7
04	E158H-04K(2X2)	8.6	8.6
06	E158H-06K(3X2)	12.5	8.8
09	E158H-09K(3X3)	12.7	12.7
12	E158H-12K(3X4)	12.7	16.2
15	E158H-15K(3X5)	12.7	19.9