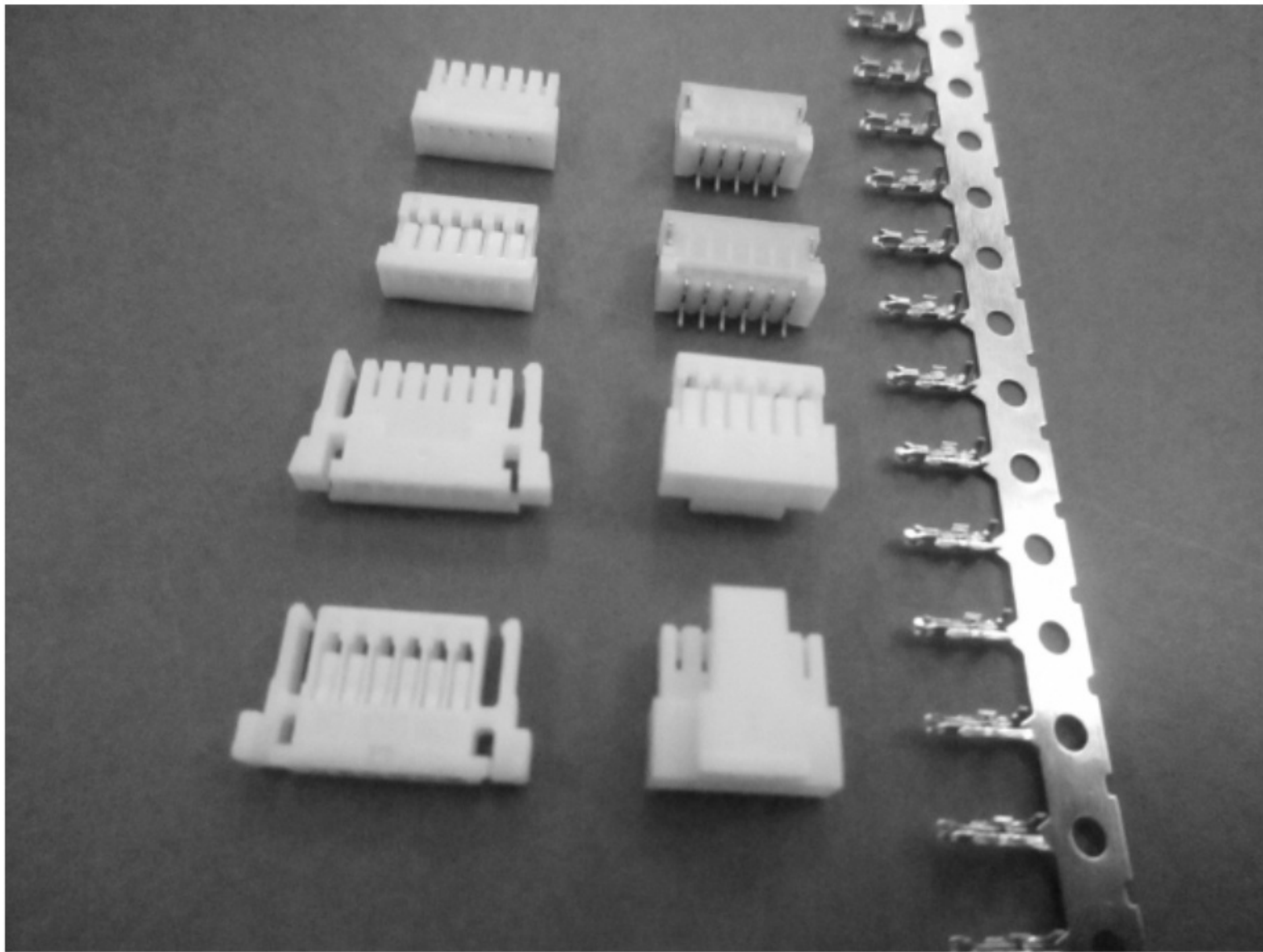


# E1005H SERIES

1.00mm PITCH WIRE TO BOARD CONNECTOR



## Specifications

Current rating: 1A AC,DC

Voltage rating: 50V AC,DC

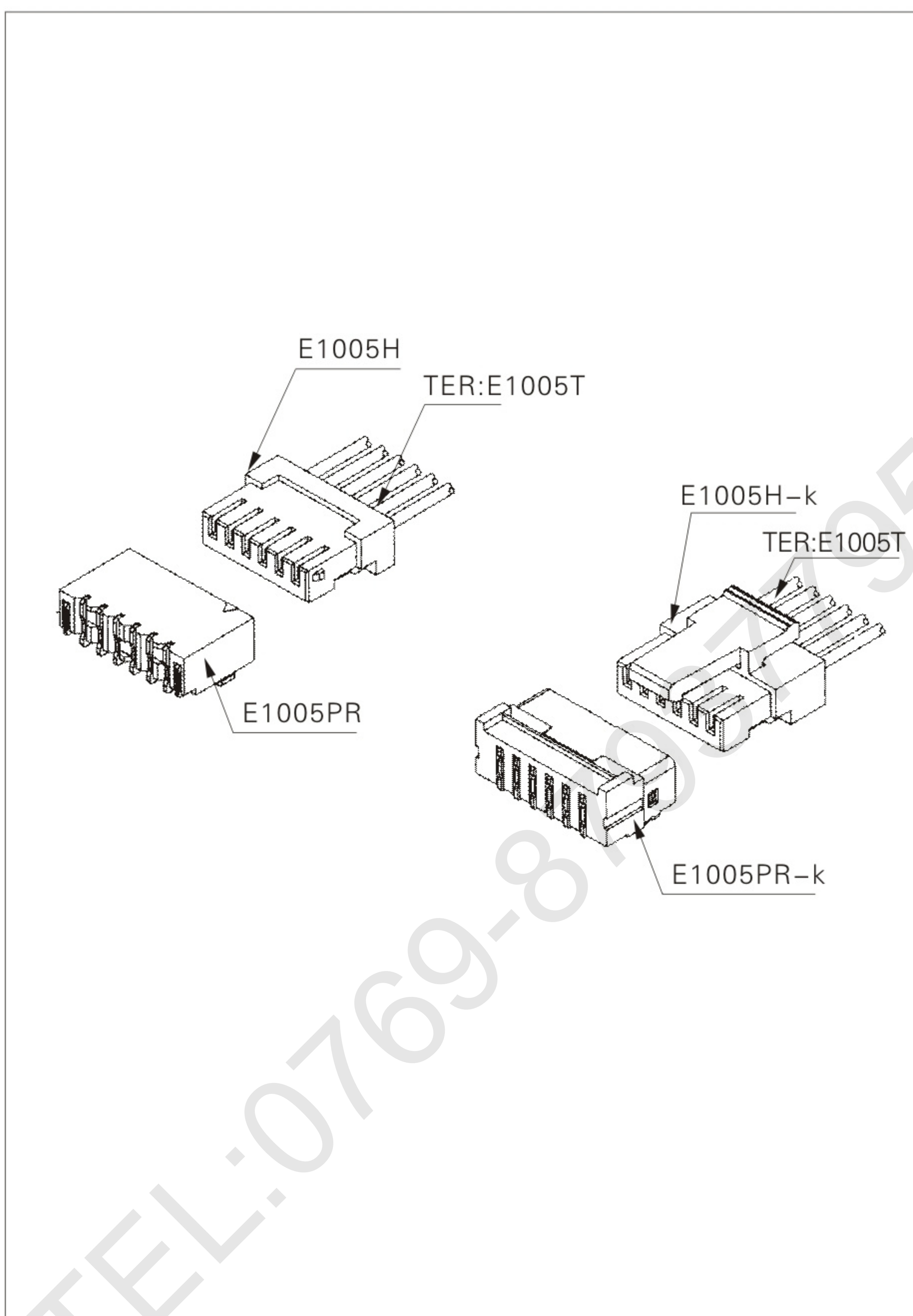
Temperature range: -25°C~+85°C

Contact resistance: 20mΩ Max.

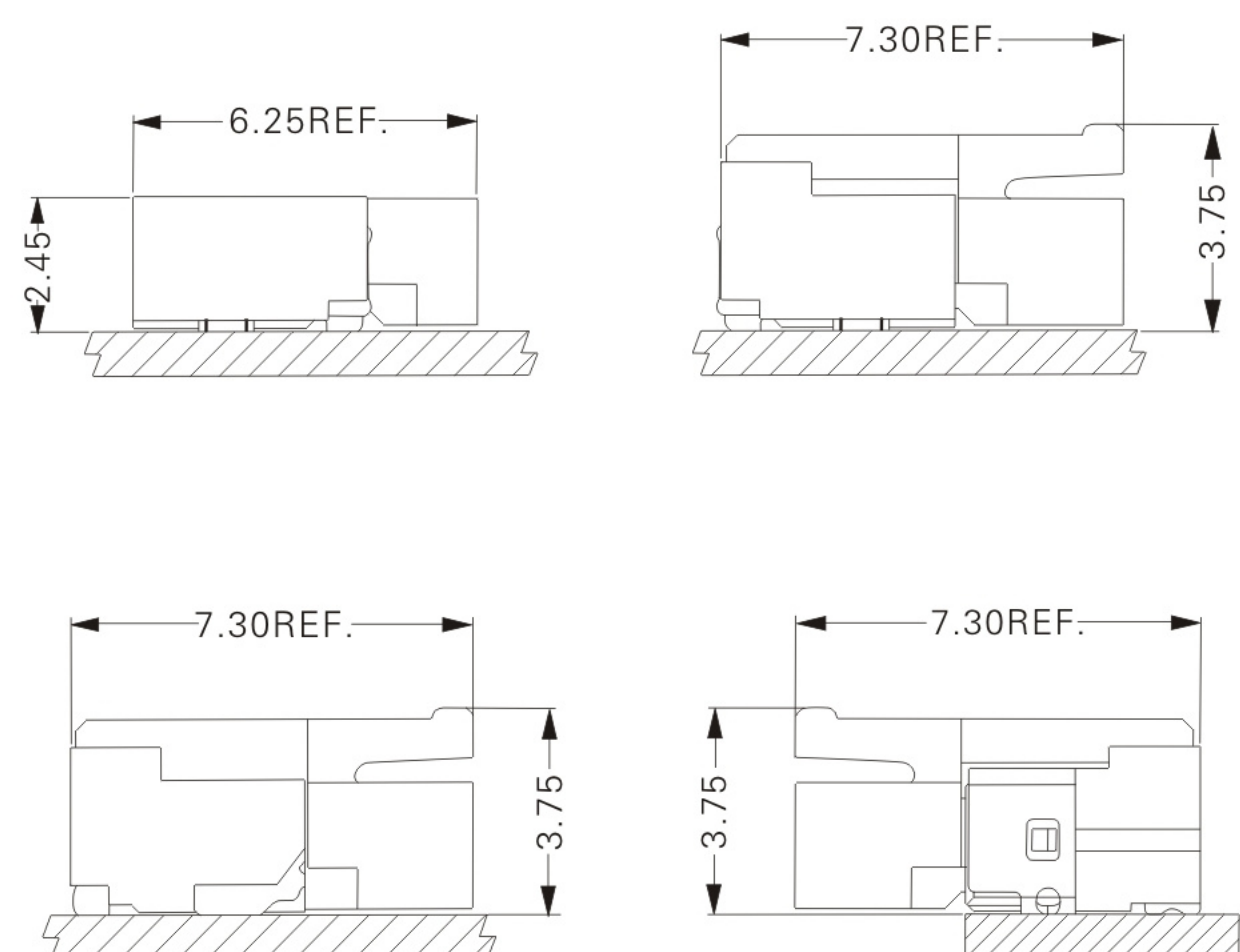
Insulation resistance: 100MΩ Min.

Withstanding voltage: 500V AC/minute

Applicable wire: AWG#28-#32



## Assembly layout

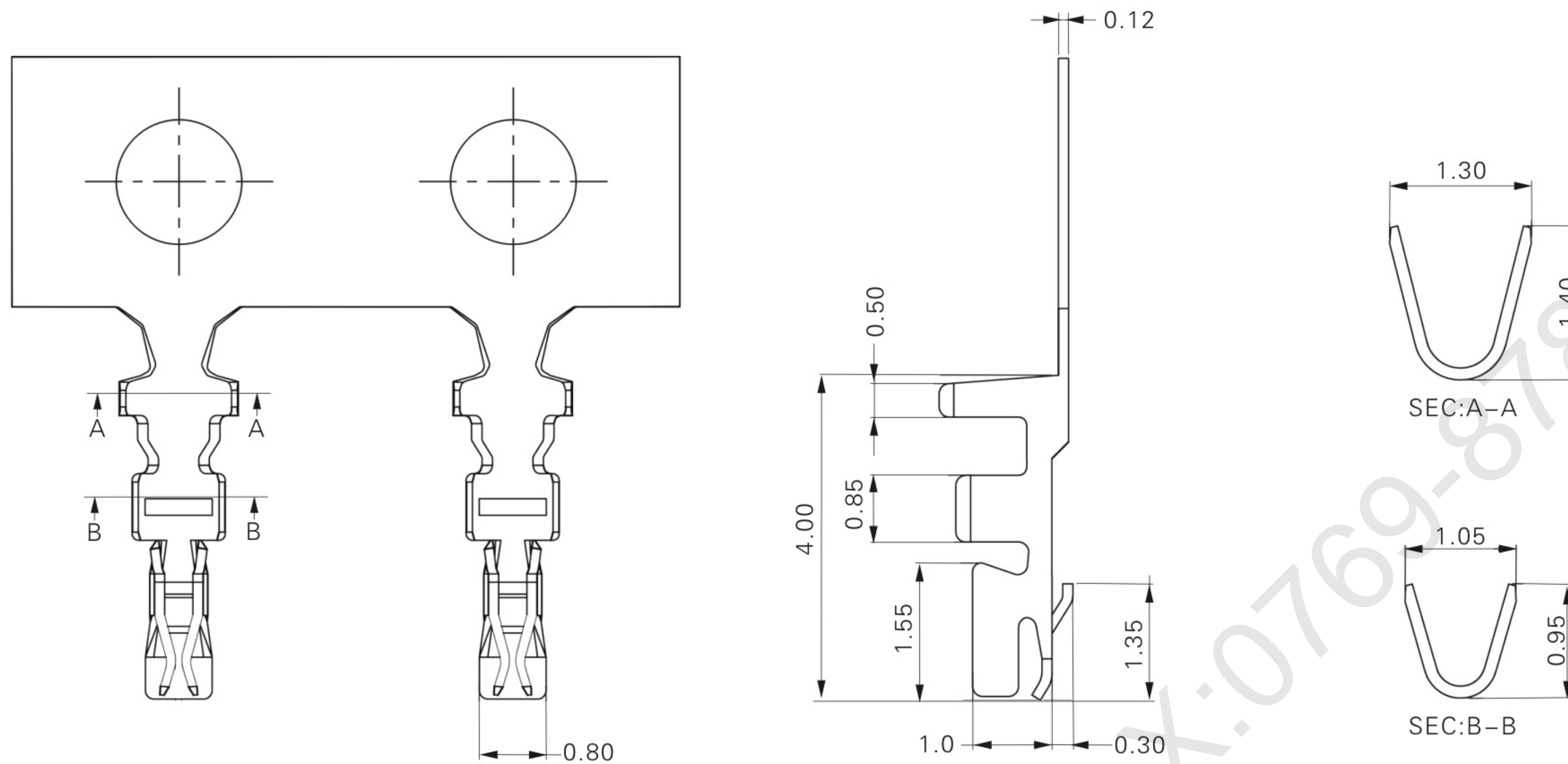




# E1005-T (1.00mm pitch crimp terminal)

## Reference Informations:

\*Used in E1005H/K series Housing



## Ordering Information & Specifications

Unit: mm

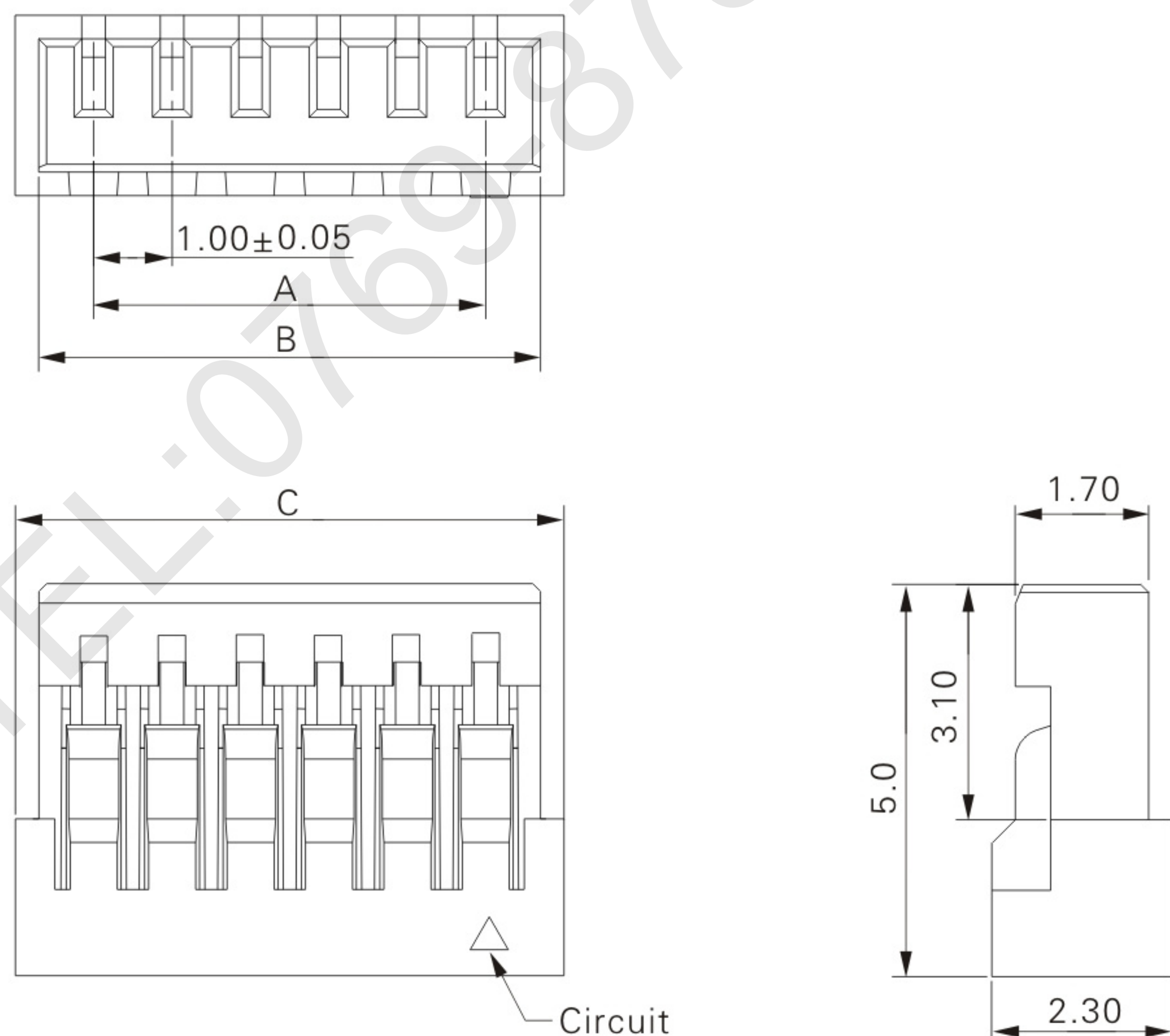
Part No.	Wire Range	Insulation O.D.	Material	Finish	Qty/reel
E1005P	AWG#28-#32	0.80mm(max)	Phosphor Bronze	Tin-plated	20,000pcs
E1005P				Gold-flash	

# E1005H-NP (1.00mm pitch crimp housing)

## Reference Informations:

\*Material: PA66, UL94V-0

\*Suitable E1005-T series Housing



## Ordering Information & Dimensions

Circuits	Part No.	DIM.(mm)		
		A	B	C
02	E1005H-02P	1.00	2.40	3.00
03	E1005H-03P	2.00	3.40	4.00
04	E1005H-04P	3.00	4.40	5.00
05	E1005H-05P	4.00	5.40	6.00
06	E1005H-06P	5.00	6.40	7.00
07	E1005H-07P	6.00	7.40	8.00
08	E1005H-08P	7.00	8.40	9.00
09	E1005H-09P	8.00	9.40	10.00
10	E1005H-10P	9.00	10.40	11.00
11	E1005H-11P	10.00	11.40	12.00
12	E1005H-12P	11.00	12.40	13.00
13	E1005H-13P	12.00	13.40	14.00
14	E1005H-14P	13.00	14.40	15.00
15	E1005H-15P	14.00	15.40	16.00
16	E1005H-16P	15.00	16.40	17.00
17	E1005H-17P	16.00	17.40	18.00
18	E1005H-18P	17.00	18.40	19.00
19	E1005H-19P	18.00	19.40	20.00
20	E1005H-20P	19.00	20.40	21.00

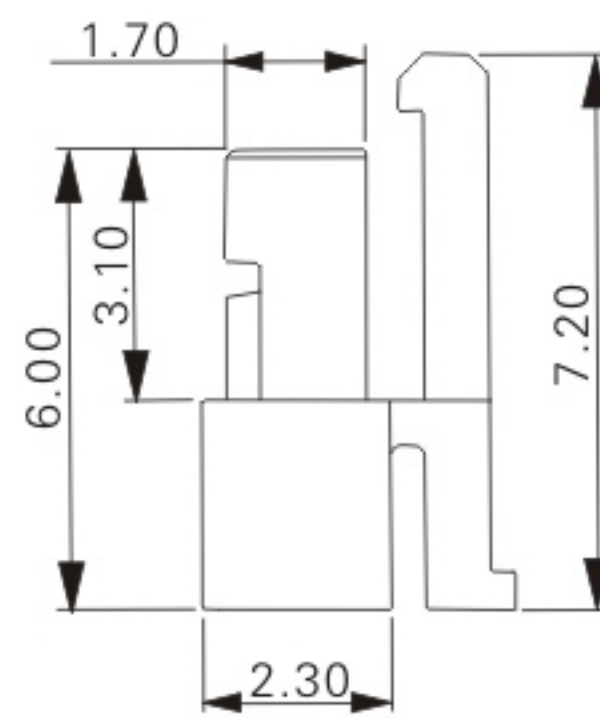
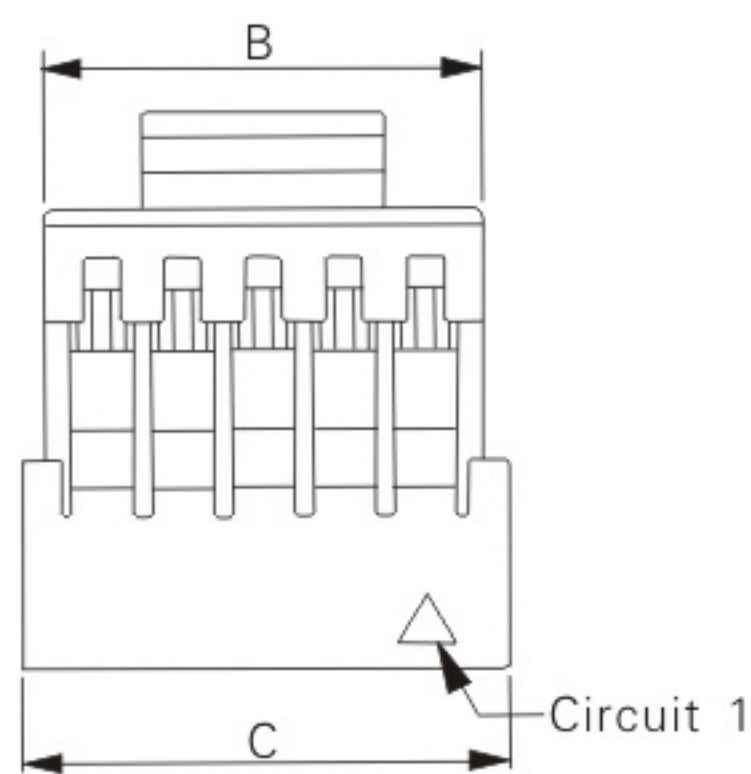
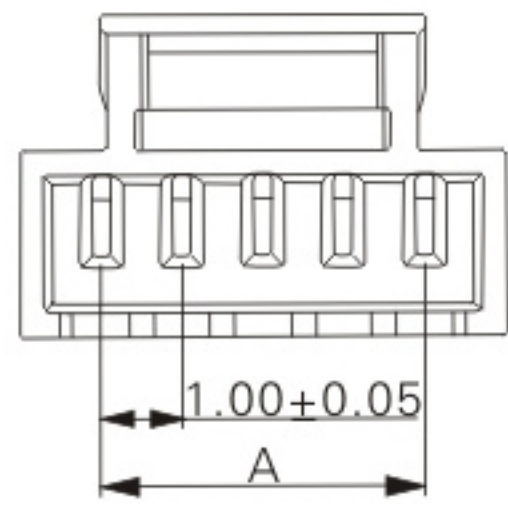


# E1005H-K (1.00mm pitch crimp housing with lock)

## Reference Informations:

\*Material: PA66, UL 94V-0

\*Suitable E1005-T series Housing



## Ordering Information & Specifications:

Circuits	DIM.(mm)		
	A	B	C
02	1.00	2.40	3.00
03	2.00	3.40	4.00
04	3.00	4.40	5.00
05	4.00	5.40	6.00
06	5.00	6.40	7.00
07	6.00	7.40	8.00
08	7.00	8.40	9.00
09	8.00	9.40	10.00
10	9.00	10.40	11.00
11	10.00	11.40	12.00
12	11.00	12.40	13.00
13	12.00	13.40	14.00
14	13.00	14.40	15.00
15	14.00	15.40	16.00
16	15.00	16.40	17.00
17	16.00	17.40	18.00
18	17.00	18.40	19.00
19	18.00	19.40	20.00
20	19.00	20.40	21.00

TEL: 0769-87937795