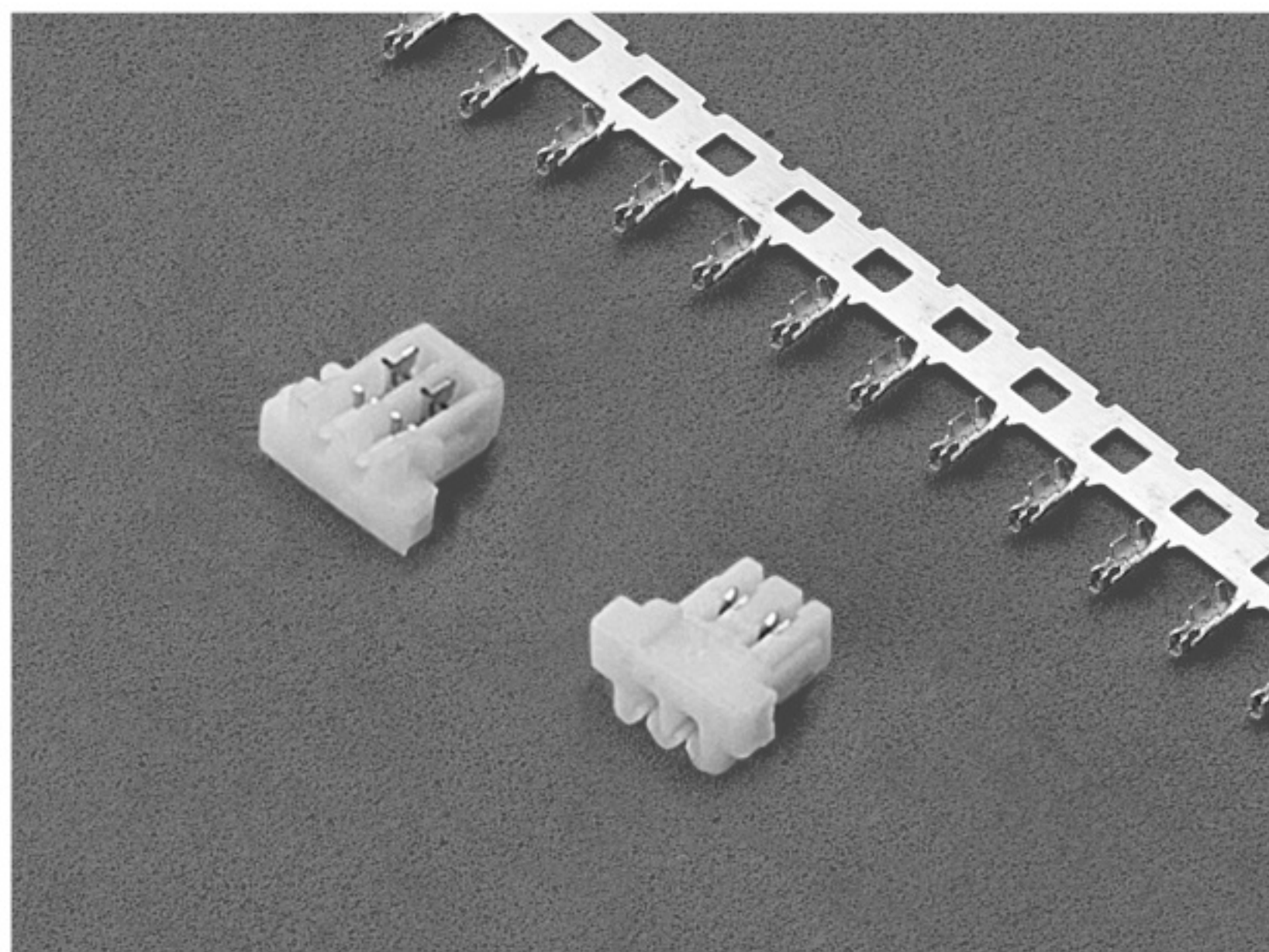


S0800 SERIES

0.80mm PITCH IDC WIRE TO BOARD CONNECTOR



Specifications

Current rating: 0.5A AC,DC (AWG#32)

Voltage rating: 30V AC,DC

Temperature range: -25°C~+85°C

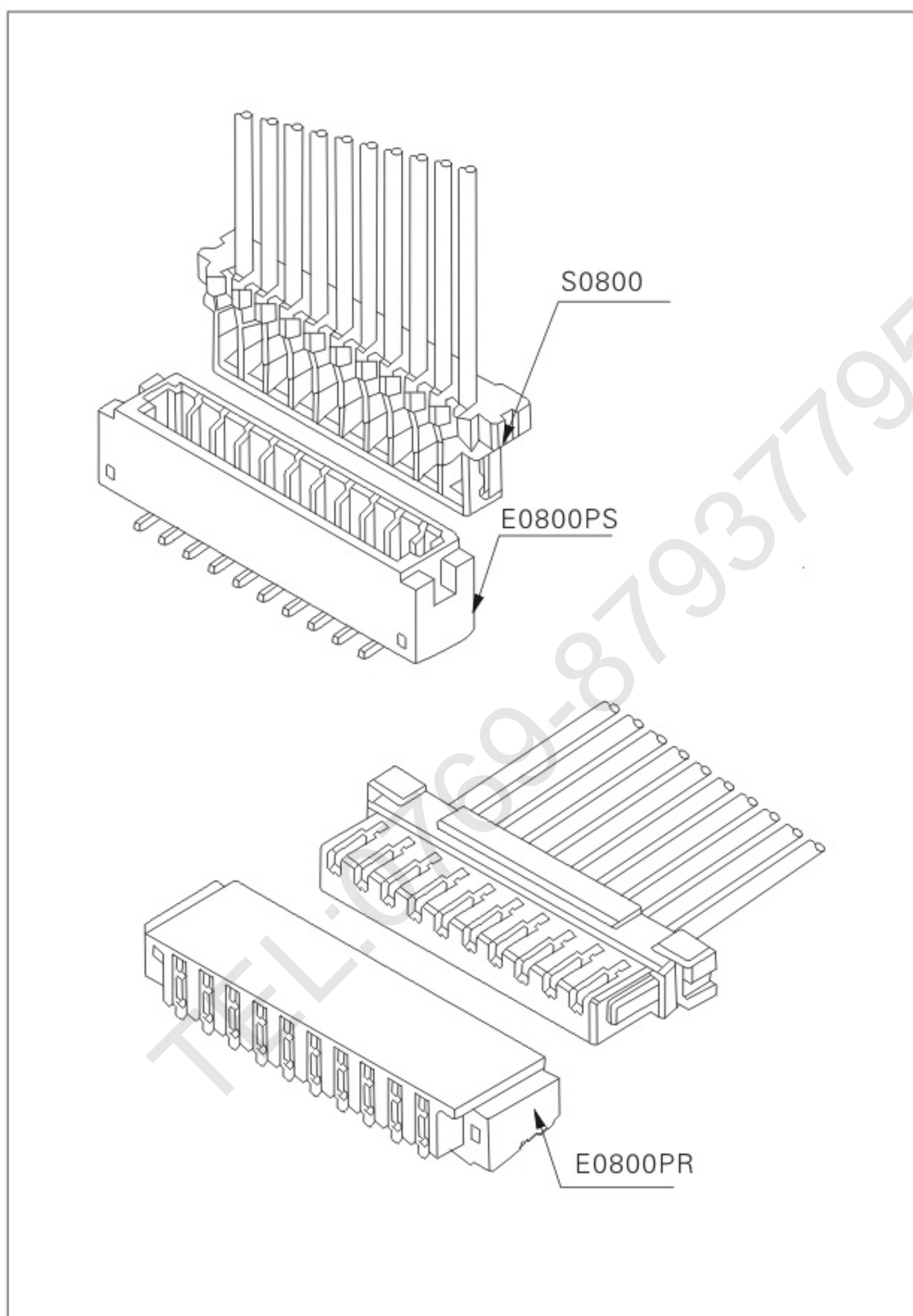
Contact resistance: Initial: 30mΩ Max.

Insulator resistance: Initial: 100mΩ min

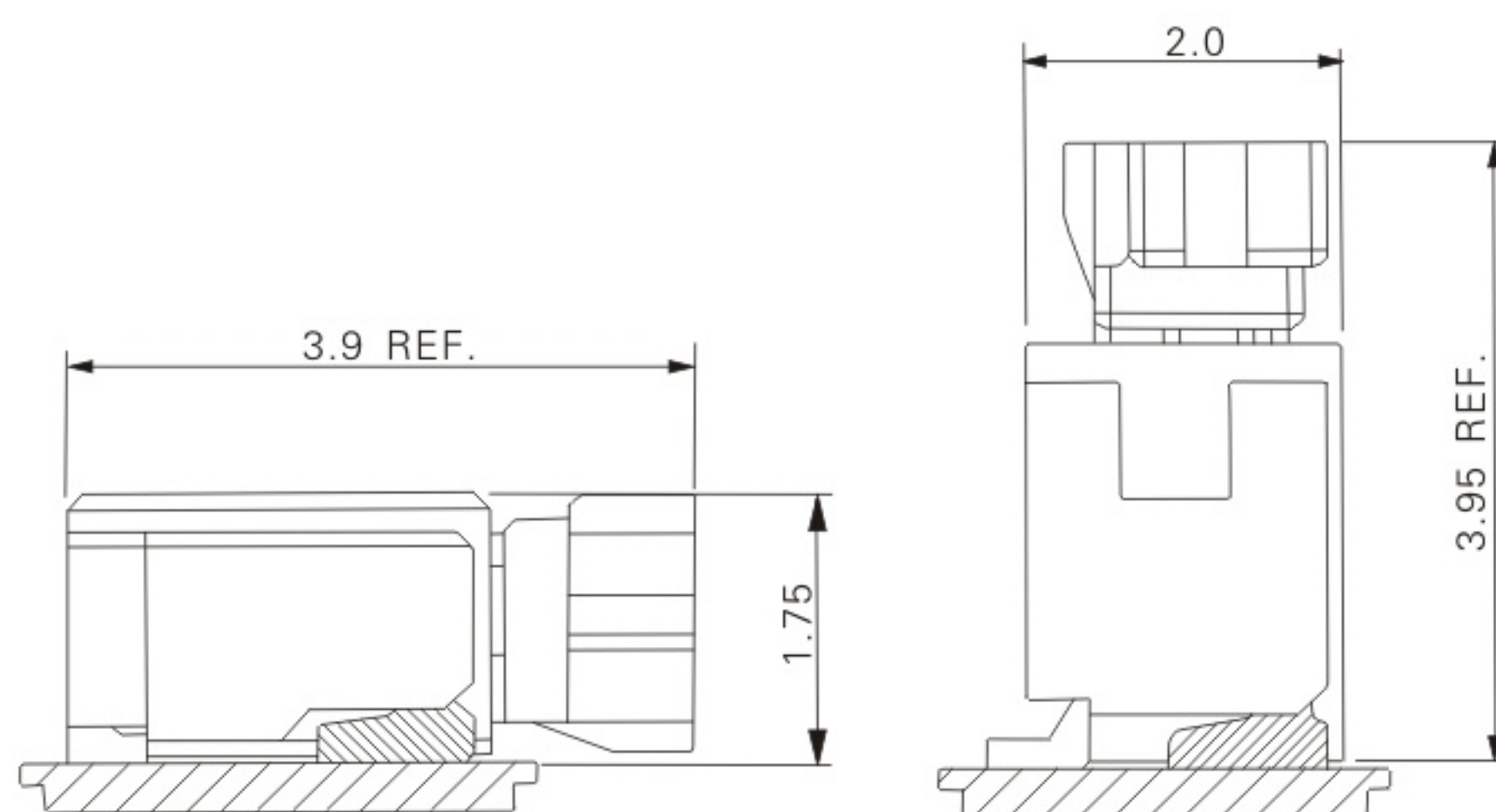
Withstanding voltage: 200V AC/minute

Applicable wire: AWG#32

Insulation O.D: $\Phi 0.38 \pm 0.02\text{mm}$



Assembly layout



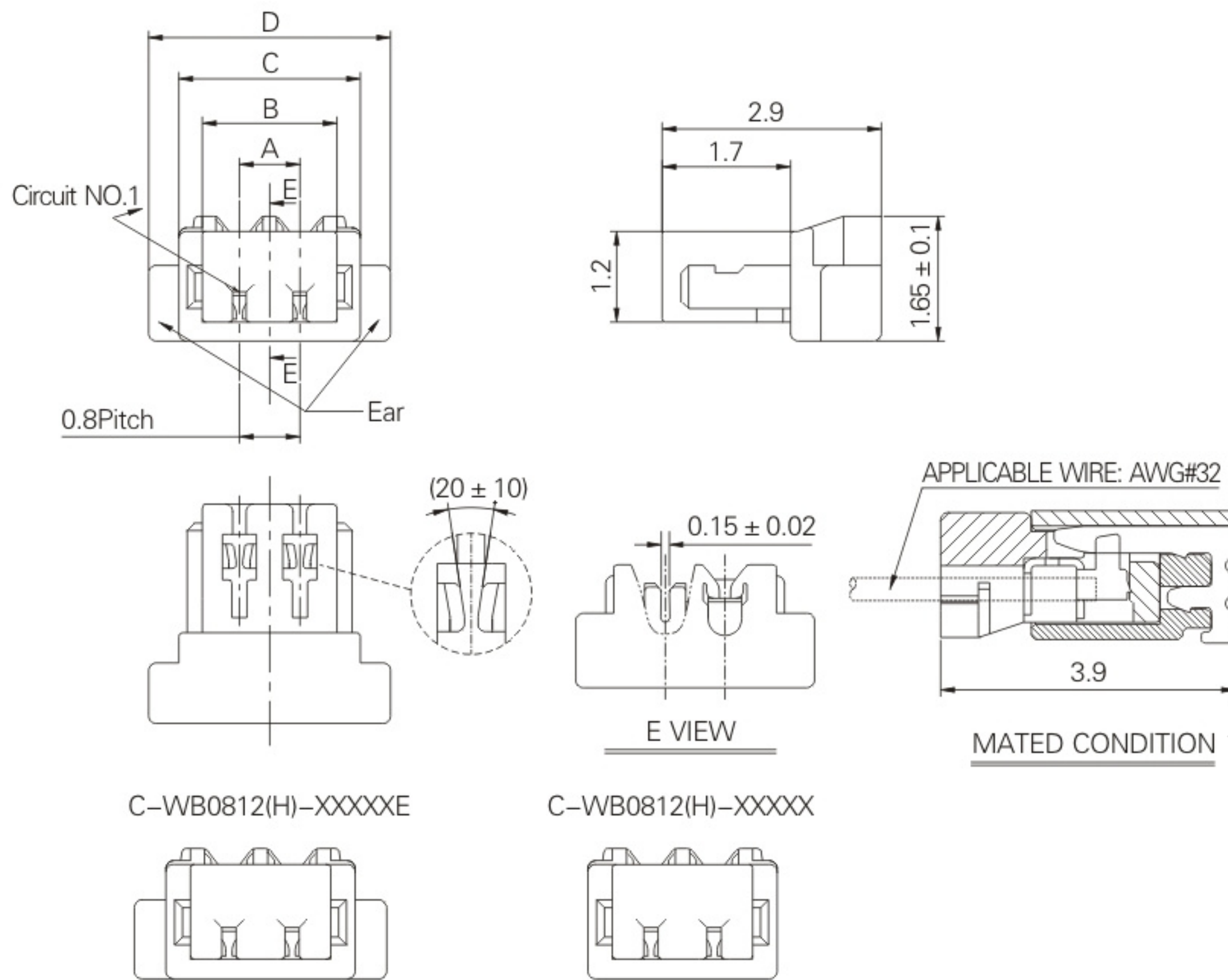
S0800 (0.80mm pitch IDC closed end type connector)

Reference Informations:

*Housing: Thermalplastic(UL94V-0)

*Terminal: Copper Alloy

*Color: Natural



Ordering Information & Dimensions

Circuits	Part No.	DIM.(mm)			
		A	B	C	D
02	S0800-02	0.80	1.78	2.40	3.20
03	S0800-03	1.60	2.58	3.20	4.00
04	S0800-04	2.40	3.38	4.00	4.80
05	S0800-05	3.20	4.18	4.80	5.60
06	S0800-06	4.00	4.98	5.60	6.40
07	S0800-07	4.80	5.78	6.40	7.20
08	S0800-08	5.60	6.58	7.20	8.00
09	S0800-09	6.40	7.38	8.00	8.80
10	S0800-10	7.20	8.18	8.80	9.60
11	S0800-11	8.00	8.98	9.60	10.40
12	S0800-12	8.80	9.78	10.40	11.20
13	S0800-13	9.60	10.58	11.20	12.00
14	S0800-14	10.40	11.38	12.00	12.80
15	S0800-15	11.20	12.18	12.80	13.60
16	S0800-16	12.00	12.98	13.60	14.40