

Specifications

Current rating: 7A AC,DC

Voltage rating: 250V AC,DC

Temperature range: -40°C to +105°C

(including temperature rise)

Contact resistance: Initial value/ 10m Ω Max.

After environmental testing/20m Ω Max.

Insulation resistance: 1000M Ω Min.

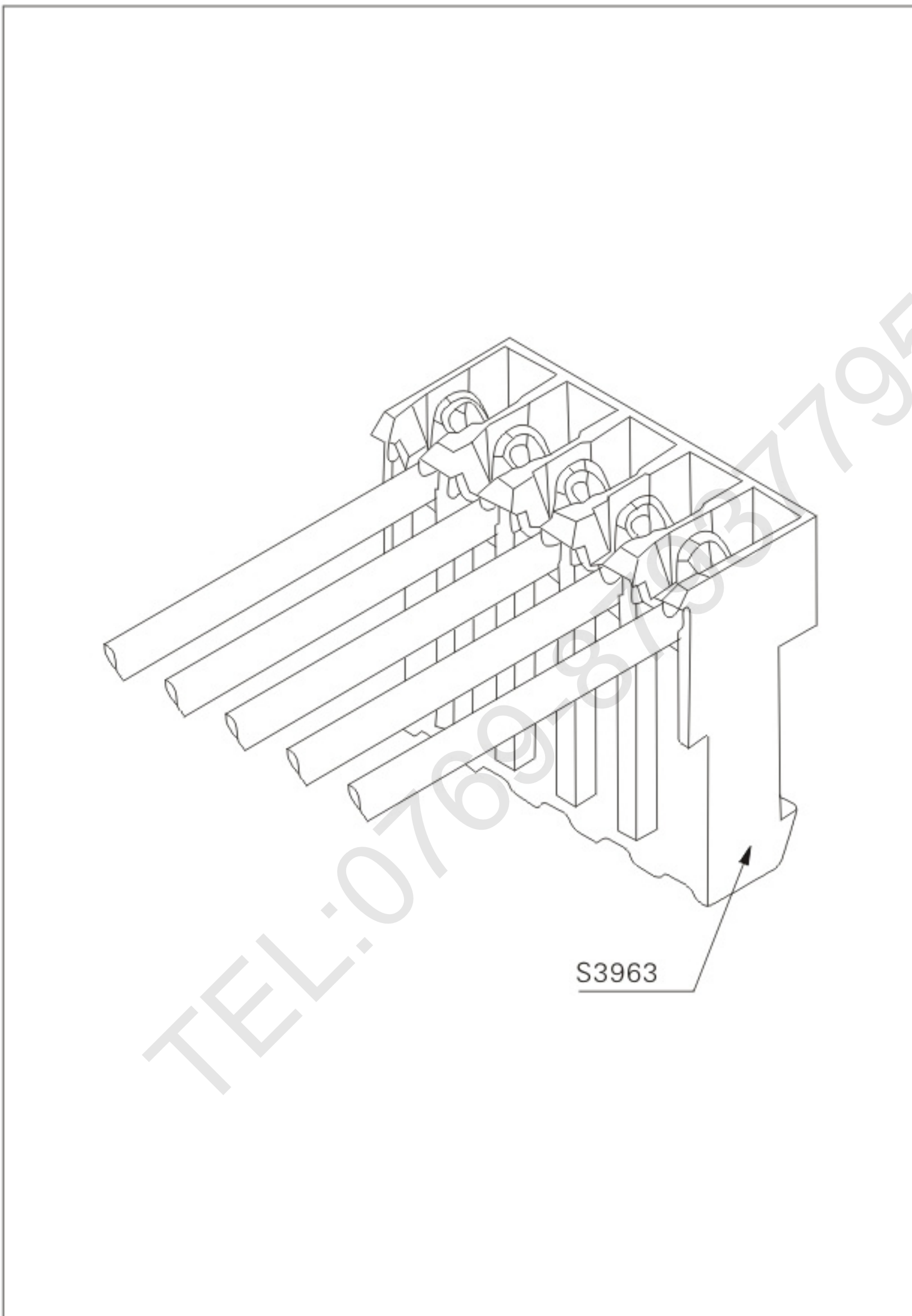
Withstanding voltage: 1500V AC/minute

Applicable wire: B: AWG#18

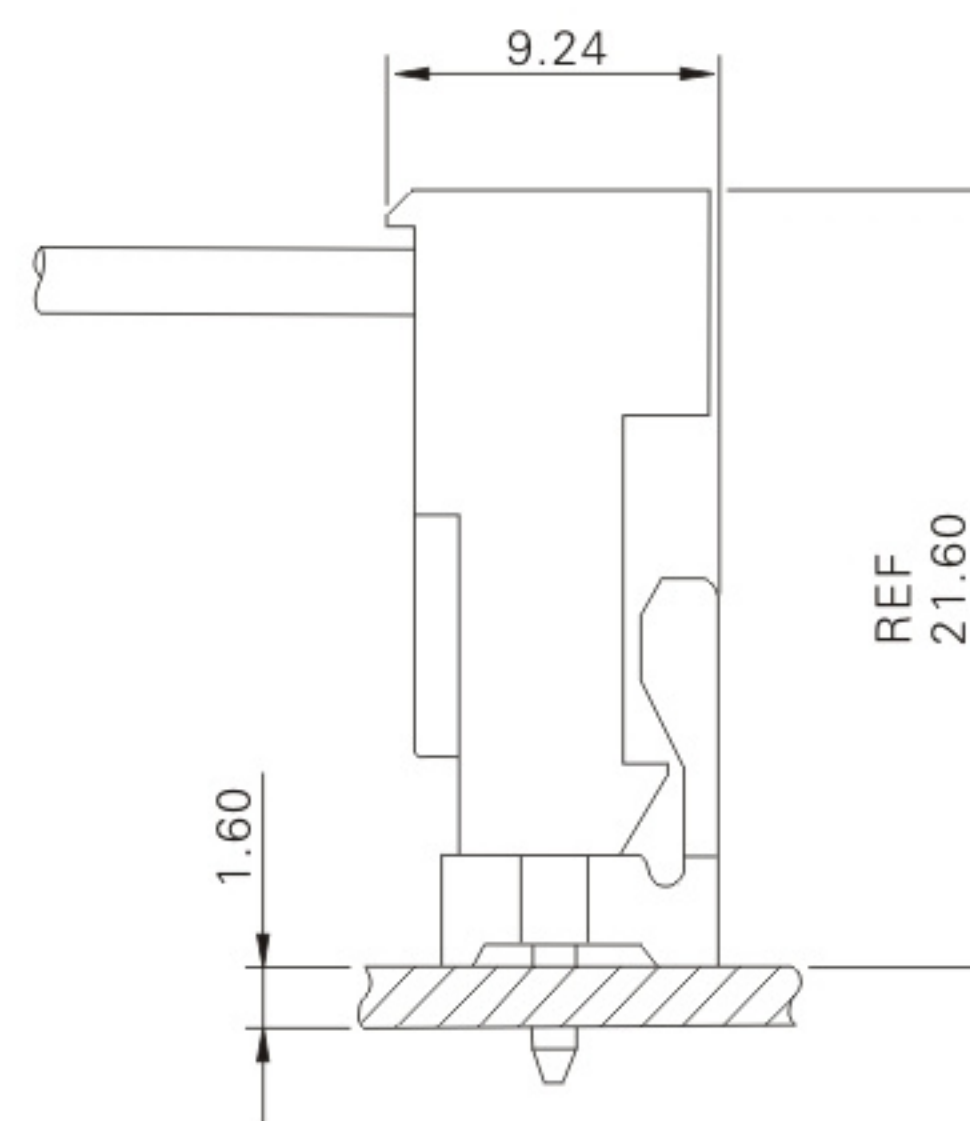
C: AWG#20

D: AWG#22

E: AWG#24



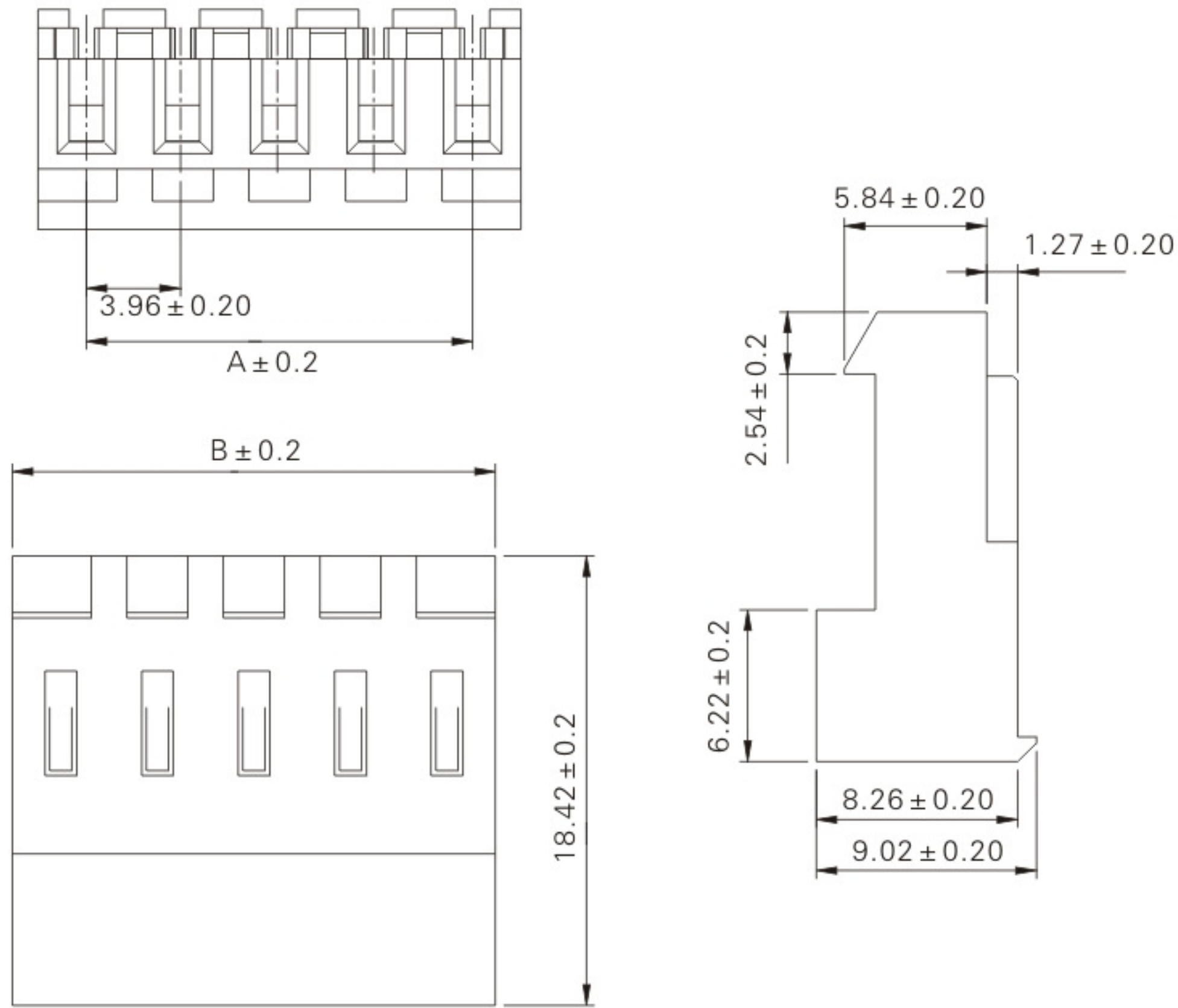
Assembly layout



S3963刺破式 (3.96mm pitch IDC closed end type connector)

Reference Informations:

*Material: Nylon 66,UL94V-2



Ordering Information & Dimensions

Circuits	Part No.	DIM.(mm)	
		A	B
02	S3963-02	3.96	7.92
03	S3963-03	7.92	11.88
04	S3963-04	11.88	15.84
05	S3963-05	15.84	19.80
06	S3963-06	19.80	23.76
07	S3963-07	23.76	27.72
08	S3963-08	27.72	31.68
09	S3963-09	31.68	35.64
10	S3963-10	35.64	39.60
11	S3963-11	39.60	43.56
12	S3963-12	43.56	47.52
13	S3963-13	47.52	51.48
14	S3963-14	51.48	55.44
15	S3963-15	55.44	59.40
16	S3963-16	59.40	63.36
17	S3963-17	63.36	67.32
18	S3963-18	67.32	71.28
19	S3963-19	71.28	75.24
20	S3963-20	75.24	79.20

TEL:0769-87937795